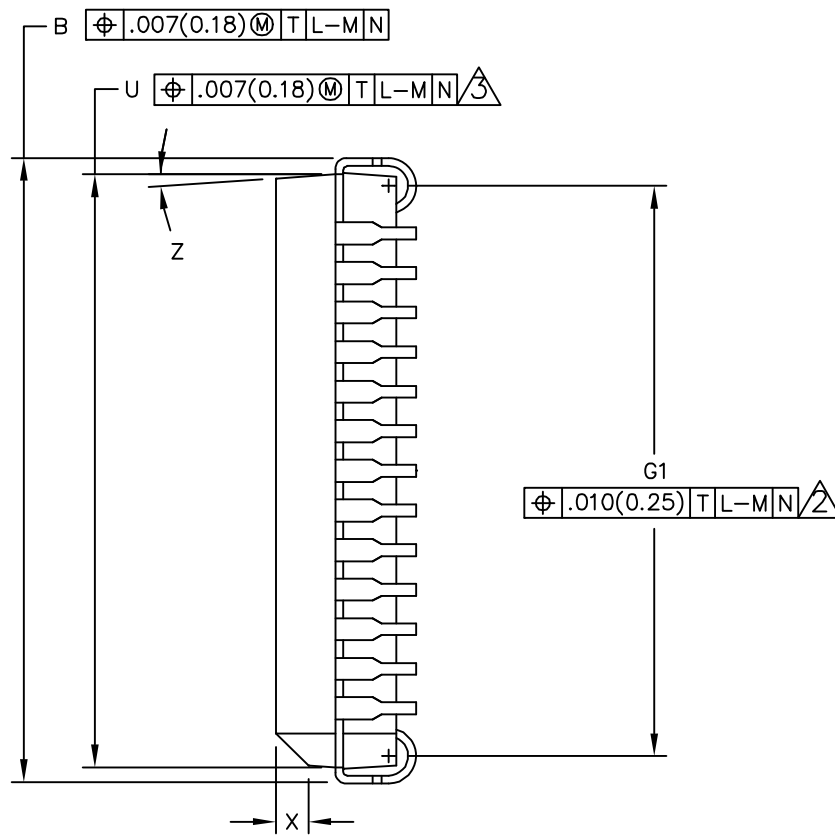
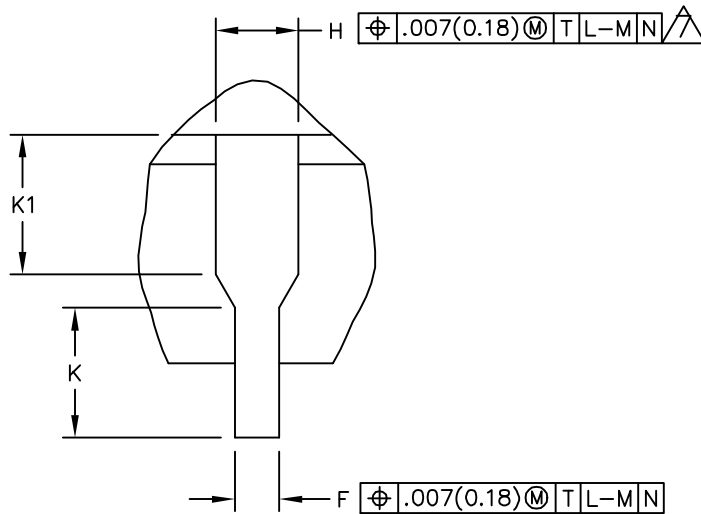


© FREESCALE SEMICONDUCTOR, INC. ALL RIGHTS RESERVED.	MECHANICAL OUTLINE	PRINT VERSION NOT TO SCALE	
TITLE: MOS/B1 POLAR (52 LEAD) PLASTIC LEADED CHIP CARRIER	DOCUMENT NO: 98ASB42600B	REV: E	
	CASE NUMBER: 778-02	19 MAY 2005	
	STANDARD: NON-JEDEC		



VIEW D-D



© FREESCALE SEMICONDUCTOR, INC. ALL RIGHTS RESERVED.	MECHANICAL OUTLINE	PRINT VERSION NOT TO SCALE	
TITLE: MOS/B1 POLAR (52 LEAD) PLASTIC LEADED CHIP CARRIER	DOCUMENT NO: 98ASB42600B	REV: E	
	CASE NUMBER: 778-02	19 MAY 2005	
	STANDARD: NON-JEDEC		

NOTES:

1. DATUMS L, M AND N DETERMINED WHERE TOP OF LEAD SHOULDER EXITS PLASTIC BODY AT MOLD PARTING LINE.

② DIMENSION TRUE POSITION TO BE MEASURED AT DATUM T, SEATING PLANE.

③ DIMENSIONS DO NOT INCLUDE MOLD FLASH. ALLOWABLE MOLD FLASH IS .010(0.25) PER SIDE.

4 DIMENSIONING AND TOLERANCING PER ASME Y14.5 – 1994.

5 CONTROLLING DIMENSION: INCH.

6 THE PACKAGE TOP MAY BE SMALLER THAN THE PACKAGE BOTTOM BY UP TO .012(0.30). DIMENSIONS R AND U ARE DETERMINED AT THE OUTERMOST EXTREMES OF THE PLASTIC BODY EXCLUSIVE OF MOLD FLASH. TIE BAR BURRS, GATE BURRS AND INTERLEAD FLASH, BUT INCLUDING ANY MISMATCH BETWEEN THE TOP AND BOTTOM OF THE PLASTIC BODY.

⑦ DIMENSION DOES NOT INCLUDE DAMBAR PROTRUSION OR INTRUSION. THE DAMBAR PROTRUSION (S) SHALL NOT CAUSE THE DIMENSION TO BE GREATER THAN .037(0.94). THE DAM BAR INTRUSION (S) SHALL NOT CAUSE THE DIMENSION TO BE SMALLER THAN .025(0.63).

DIM	MILLIMETERS		INCHES		DIM	MILLIMETERS		INCHES	
	MIN	MAX	MIN	MAX		MIN	MAX	MIN	MAX
A	19.94	20.19	0.785	0.795					
B	19.94	20.19	0.785	0.795					
C	4.20	4.57	0.165	0.180					
E	2.29	2.79	0.090	0.110					
F	0.33	0.48	0.013	0.019					
G	1.27 BSC		0.050 BSC						
H	0.66	0.81	0.026	0.032					
J	0.51	---	0.020	---					
K	0.64	---	0.025	---					
R	19.05	19.20	0.750	0.756					
U	19.05	19.20	0.750	0.756					
V	1.07	1.21	0.042	0.048					
W	1.07	1.21	0.042	0.048					
X	1.07	1.42	0.042	0.056					
Y	---	0.50	---	0.020					
Z	2°	10°	2°	10°					
G1	18.04	18.54	0.710	0.730					
K1	1.02	---	0.040	---					

© FREESCALE SEMICONDUCTOR, INC.
ALL RIGHTS RESERVED.

MECHANICAL OUTLINE

PRINT VERSION NOT TO SCALE

TITLE:
MOS/B1 POLAR (52 LEAD)
PLASTIC LEADED CHIP CARRIER

DOCUMENT NO: 98ASB42600B

REV: E

CASE NUMBER: 778-02

19 MAY 2005

STANDARD: NON-JEDEC