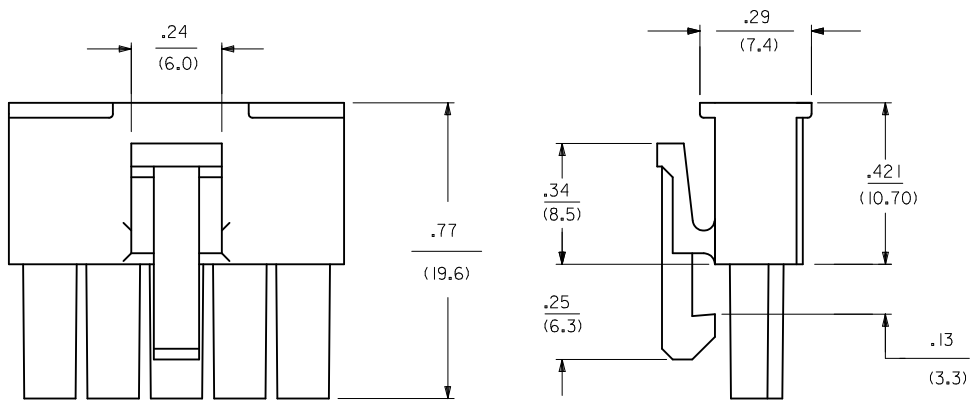
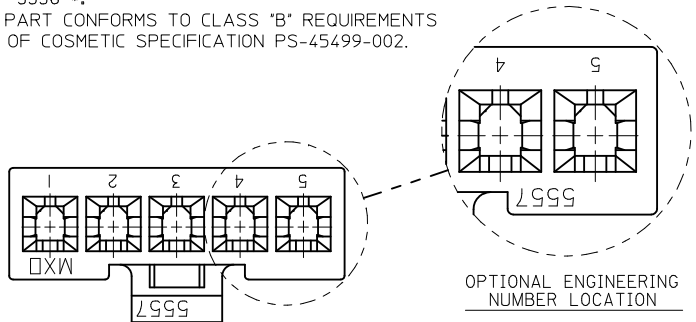


NOTES:

- 1) MATERIAL:  
 "BLANK": NYLON 6/6, 94V-2, COLOR: NATURAL.  
 210 : NYLON 6/6, 94V-0, COLOR: NATURAL.  
 400 : NYLON 6/6, 94V-0, COLOR: BLACK.
- 2) FINISH: NOT APPLICABLE
- 3) PRODUCT SPECIFICATION: PS-5556-001
- 4) PACKAGING SPECIFICATION: PK-5557-002
- 5) PART MATES WITH MOLEX PLUG \*5559-\*, VERTICAL HEADER \*5566-\*, AND RIGHT-ANGLE HEADER \*5569-\*
- 6) PART IS FOR USE WITH MOLEX FEMALE TERMINAL \*5556-\*
- 7) PART CONFORMS TO CLASS "B" REQUIREMENTS OF COSMETIC SPECIFICATION PS-45499-002.

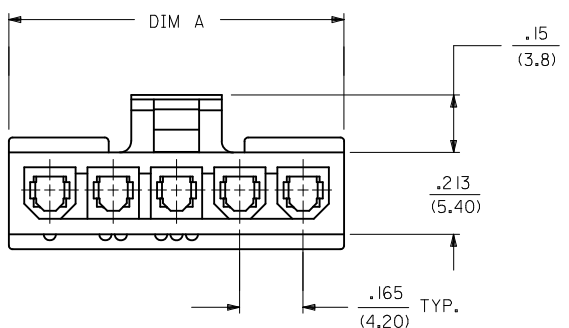
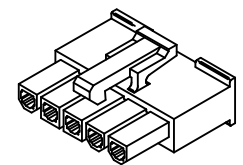
CKT SIZE	DIM A
2	.378 (9.60)
4	.709 (18.00)
5	.874 (22.20)
6	1.039 (26.40)
7	1.205 (30.60)
8	1.370 (34.80)
9	1.535 (39.00)
10	1.701 (43.20)
11	1.866 (47.40)
12	2.031 (51.60)

PART NUMBER	ENG. NUMBER	CKT. SIZE	MATERIAL (SEE NOTE 1)
39-01-4020	5557-02R2	2	94V-2
39-01-4021	5557-02R2-210	2	94V-0
39-01-4040	5557-04R2	4	94V-2
39-01-4041	5557-04R2-210	4	94V-0
46999-0503	5557-04R2-400	4	94V-0
39-01-4050	5557-05R2	5	94V-2
39-01-4051	5557-05R2-210	5	94V-0
50-30-4447	5557-05R2-400	5	94V-0
39-01-4060	5557-06R2	6	94V-2
39-01-4061	5557-06R2-210	6	94V-0
39-01-4070	5557-07R2	7	94V-2
39-01-4071	5557-07R2-210	7	94V-0
39-01-4080	5557-08R2	8	94V-2
39-01-4081	5557-08R2-210	8	94V-0
39-01-4090	5557-09R2	9	94V-2
39-01-4091	5557-09R2-210	9	94V-0
39-01-4100	5557-10R2	10	94V-2
39-01-4101	5557-10R2-210	10	94V-0
39-01-4110	5557-11R2	11	94V-2
39-01-4111	5557-11R2-210	11	94V-0
39-01-4120	5557-12R2	12	94V-2
39-01-4121	5557-12R2-210	12	94V-0



LEGEND:

- CKT. SIZE (02, 04-12) ———— 5557-\*\*\* R2-\*\*\*\*-\*\*\*
- RECEPTACLE (SINGLE ROW) ————
- MATERIAL OPTION: (SEE NOTE 1) ————
- COLOR: ————
- \*"BLANK"\* = NATURAL
- \*"BL" = BLACK



ADD 5557-04R2-400 EC NO: UCP2012-3170 DRW: NGUYEN 2012/03/26 CHKD: BELL 2012/03/26 APPR: FSMITH 2012/05/04	QUALITY SYMBOLS	GENERAL TOLERANCES (UNLESS SPECIFIED)	DIMENSION STYLE <b>IN/MM</b>	SCALE <b>4:1</b>	DESIGN UNITS <b>METRIC</b>	THIRD ANGLE PROJECTION
	▽=0	4 PLACES ± --- ± ---	DRAWN BY KSS DATE 2/15/89	TITLE <b>MINI-FIT JR. RECEPTACLE (SINGLE ROW)</b>		
	▽=0	3 PLACES ± --- ± .010	CHECKED BY RJF DATE 2/15/89	<b>MOLEX INCORPORATED</b> DOCUMENT NO. <b>SD-5557-NR2*</b>		
	▽=0	2 PLACES ± .25 ± .015	APPROVED BY FSMITH DATE 2012/05/04			
REV	1 PLACE ± .38 ± ---	ANGULAR ± 1/2°	MATERIAL NO. <b>SEE CHART</b>	SHEET NO. <b>1 OF 1</b>	THIS DRAWING CONTAINS INFORMATION THAT IS PROPRIETARY TO MOLEX INCORPORATED AND SHOULD NOT BE USED WITHOUT WRITTEN PERMISSION	
DRAFT WHERE APPLICABLE MUST REMAIN WITHIN DIMENSIONS						