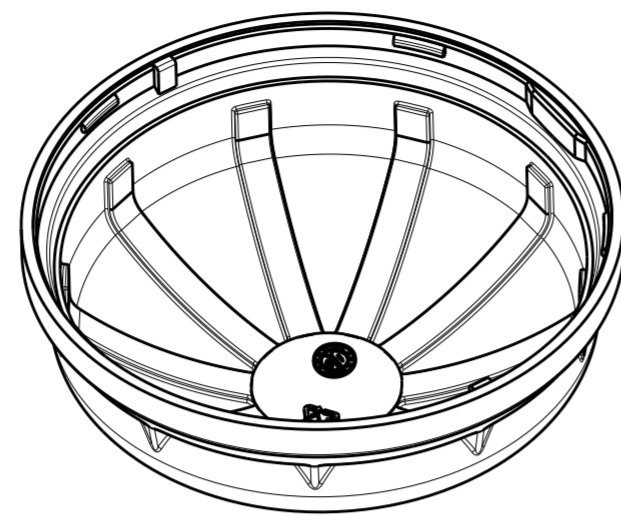
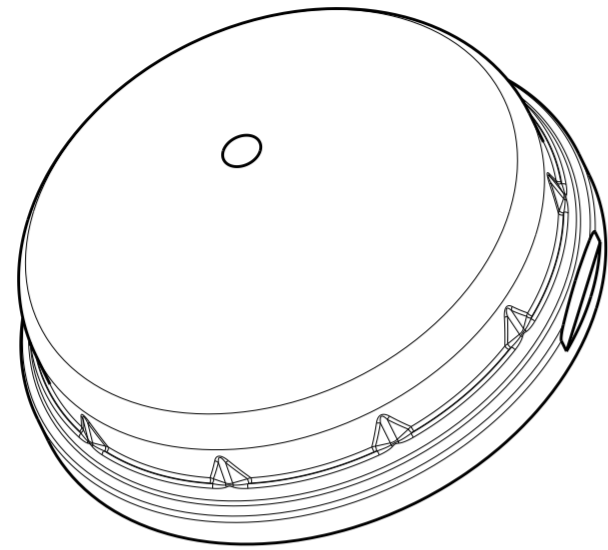
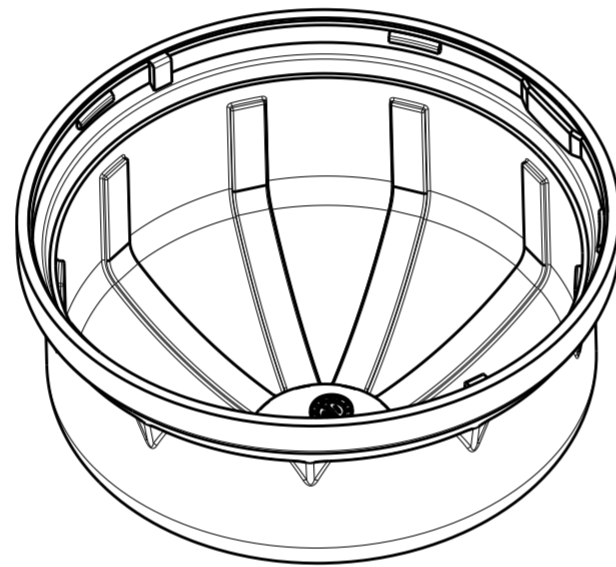
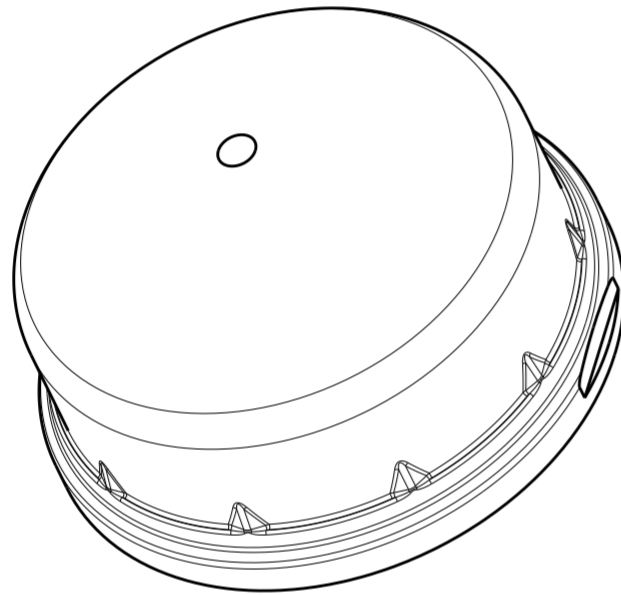


THIS DRAWING IS UNPUBLISHED. RELEASED FOR PUBLICATION
 © COPYRIGHT copyright.dBTe- ALL RIGHTS RESERVED.

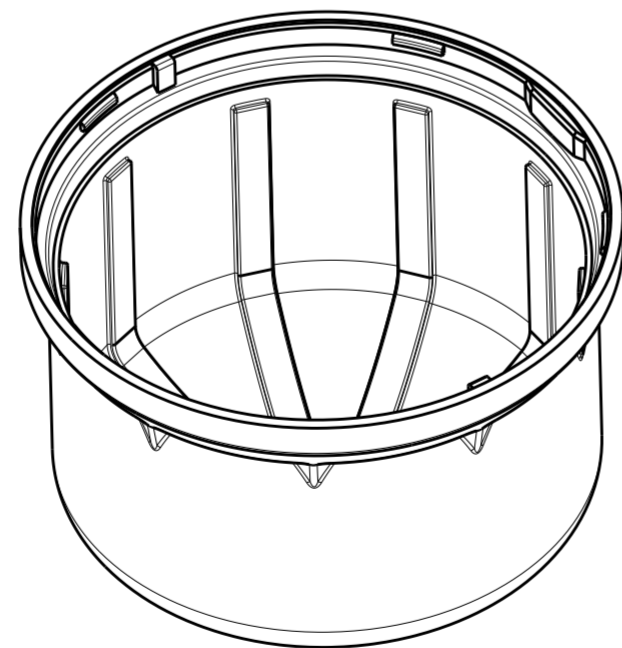
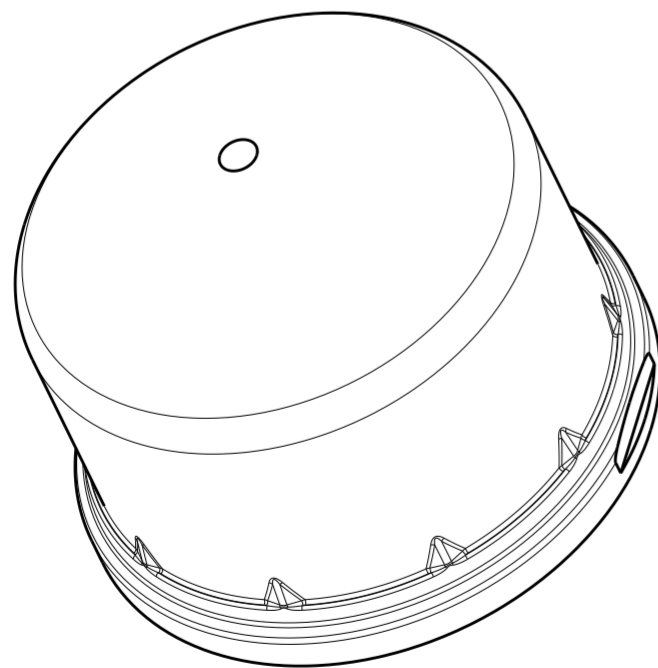
REVISIONS				
P	LTR	DESCRIPTION	DATE	APVD
1		PROPOSED	10JAN2018	CD MM
2		UPDATED	31JAN2018	CD EH



2328823-1 AND 1-2328823-1 SHOWN



2328823-2 AND 1-2328823-2 SHOWN



2328823-3 AND 1-2328823-3 SHOWN

- 1 MATERIAL: -POLYCARBONATE COLOR: SEE TABLE
- 2. MUST COMPLY WITH DIRECTIVE 2002/95/EC (ROHS)
- 3. THIS PRODUCT HAS NOT COMPLETED VALIDATION TESTING
- 4. MODULE BASE TE P/N: 2213831-1

IDENTIFICATION MARKINGS	APPROX. LIGHT TRANSMISSION	COLOR	DIM X	PART NO.
YES	78	TRANSPARENT CLEAR	58.43	3-2328823-3
YES	78	TRANSPARENT CLEAR	43.43	3-2328823-2
YES	78	TRANSPARENT CLEAR	33.43	3-2328823-1
YES	24	TRANSPARENT SMOKE	58.43	2-2328823-3
YES	24	TRANSPARENT SMOKE	43.43	2-2328823-2
YES	24	TRANSPARENT SMOKE	33.43	2-2328823-1
NO	78	TRANSPARENT CLEAR	58.43	1-2328823-3
NO	78	TRANSPARENT CLEAR	43.43	1-2328823-2
NO	78	TRANSPARENT CLEAR	33.43	1-2328823-1
NO	24	TRANSPARENT SMOKE	58.43	2328823-3
NO	24	TRANSPARENT SMOKE	43.43	2328823-2
NO	24	TRANSPARENT SMOKE	33.43	2328823-1

**NEW PRODUCT
 PRELIMINARY
 IN DEVELOPMENT**

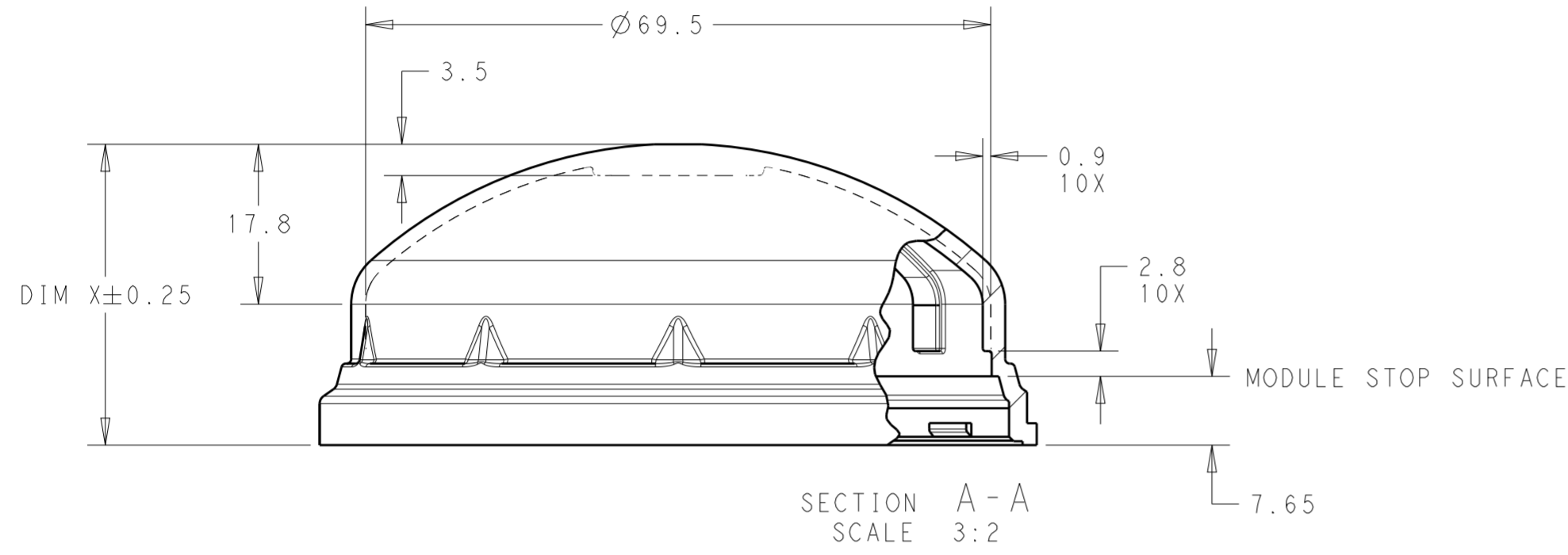
THIS DRAWING IS A CONTROLLED DOCUMENT.

DIMENSIONS: mm	TOLERANCES UNLESS OTHERWISE SPECIFIED:	DWN C DAILY 10JAN2018	CHK MOSTOLLER 10JAN2018	APVD -	NAME -
0 PLC ±	1 PLC ±0.2	PRODUCT SPEC 108-133073		DOME, LUMAWISE ENDURANCE S, 80mm	
2 PLC ±0.10	3 PLC ±	APPLICATION SPEC 114-133074		SIZE A2	CAGE CODE 00779
4 PLC ±	ANGLES ±1°	WEIGHT -		DRAWING NO C-2328823	RESTRICTED TO
MATERIAL SEE TABLE	FINISH -	CUSTOMER DRAWING		SCALE 1:1	SHEET 1 OF 2 REV 2

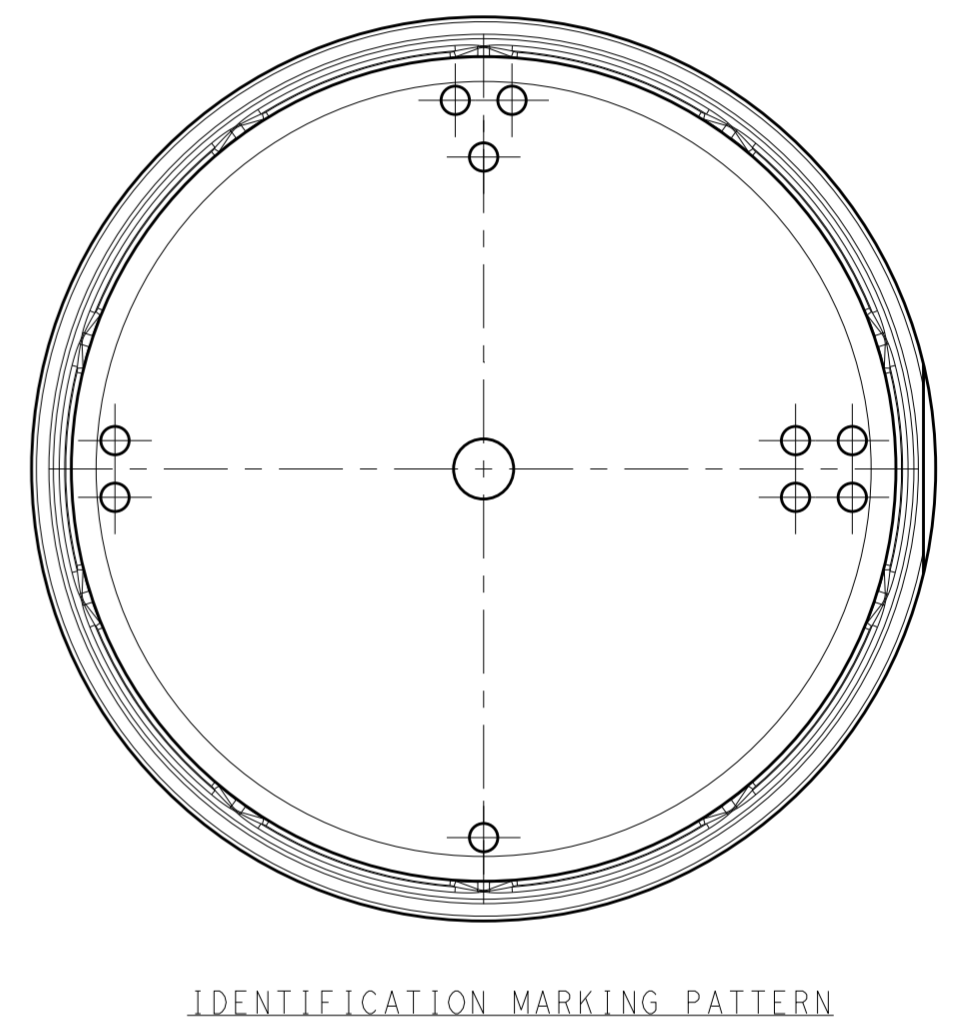
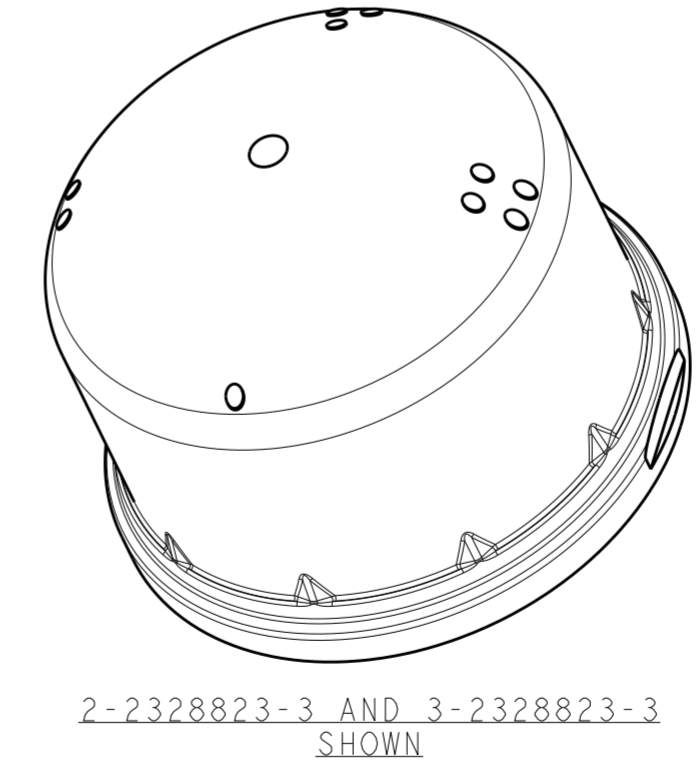
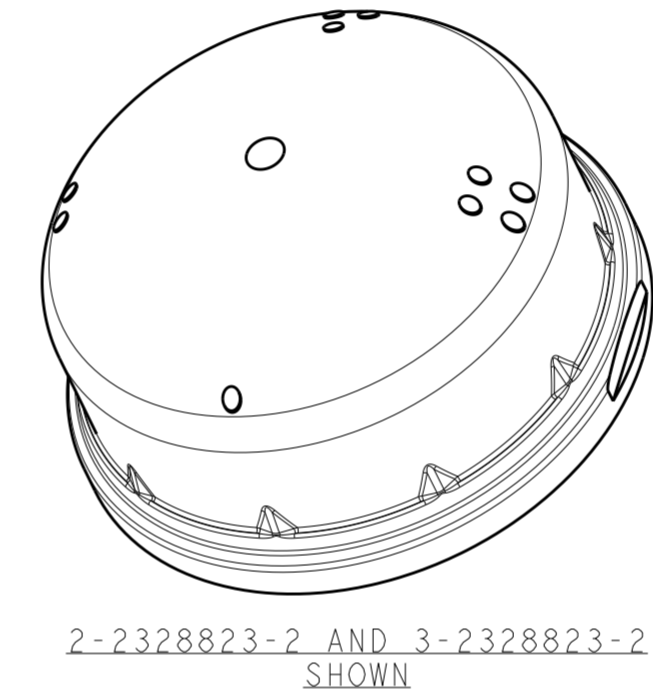
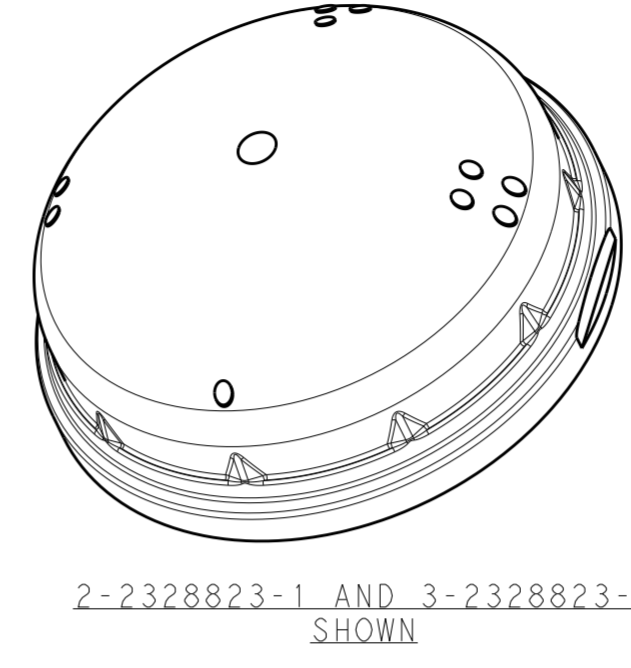
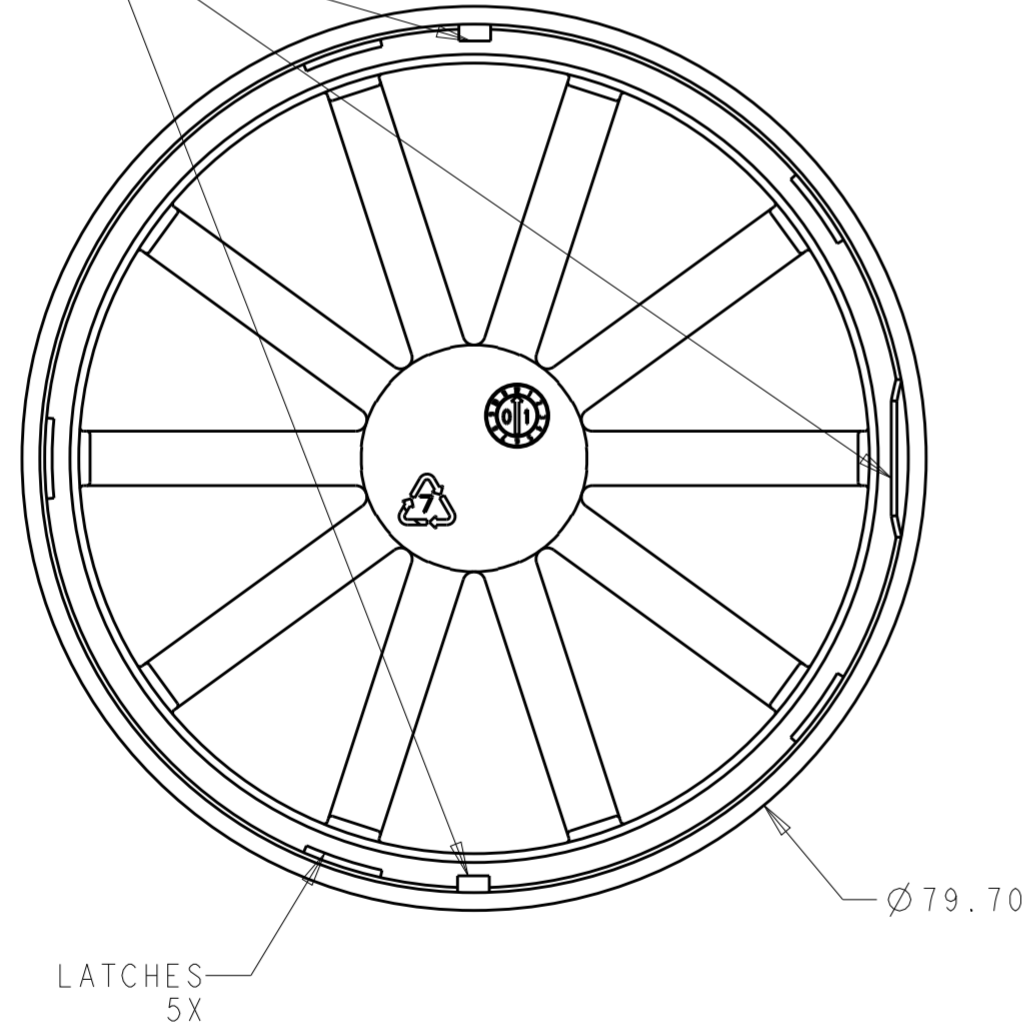
PRELIMINARY

THIS DRAWING IS UNPUBLISHED. RELEASED FOR PUBLICATION
 © COPYRIGHT copyright.dble- ALL RIGHTS RESERVED.

REVISIONS				
P	LTR	DESCRIPTION	DATE	APVD
-	-	SEE SHEET 1	-	-



POLARIZATION
FEATURES



NEW PRODUCT
PRELIMINARY
IN DEVELOPMENT

THIS DRAWING IS A CONTROLLED DOCUMENT.		DWN C. DAILY 10 JAN 2018	TE Connectivity	
		CHK M. STOLLER 10 JAN 2018		
DIMENSIONS: mm		TOLERANCES UNLESS OTHERWISE SPECIFIED:		NAME DOME, LUMAWISE ENDURANCE S, 80mm
		0 PLC ±	PRODUCT SPEC 108-133073	SIZE A200779
MATERIAL SEE TABLE		1 PLC ±0.2	APPLICATION SPEC 114-133074	CAGE CODE C-2328823
		2 PLC ±0.10	WEIGHT -	DRAWING NO C-2328823
		3 PLC ±	CUSTOMER DRAWING	RESTRICTED TO
		4 PLC ±	SCALE 1:1	SHEET 2 OF 2
		ANGLES ±1°		REV 2
		FINISH -		