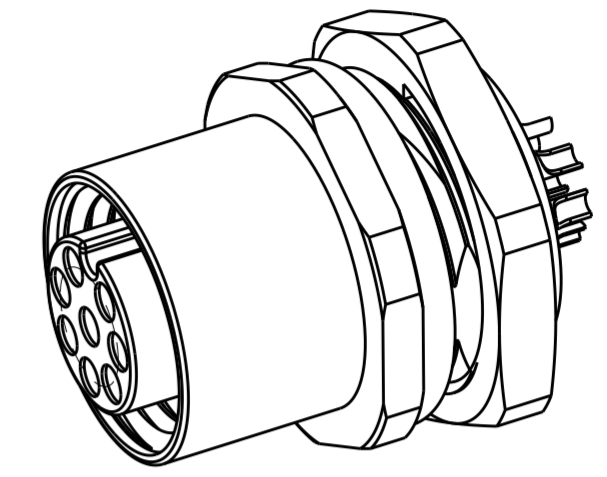
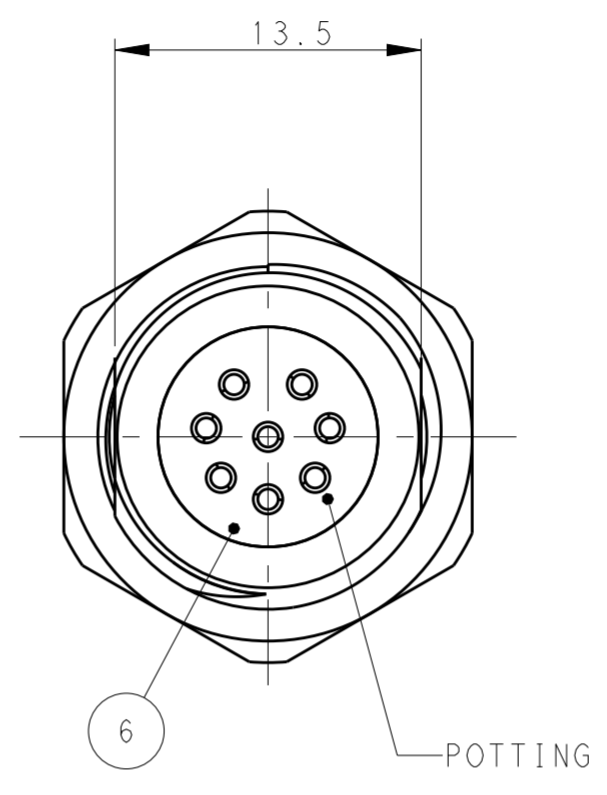
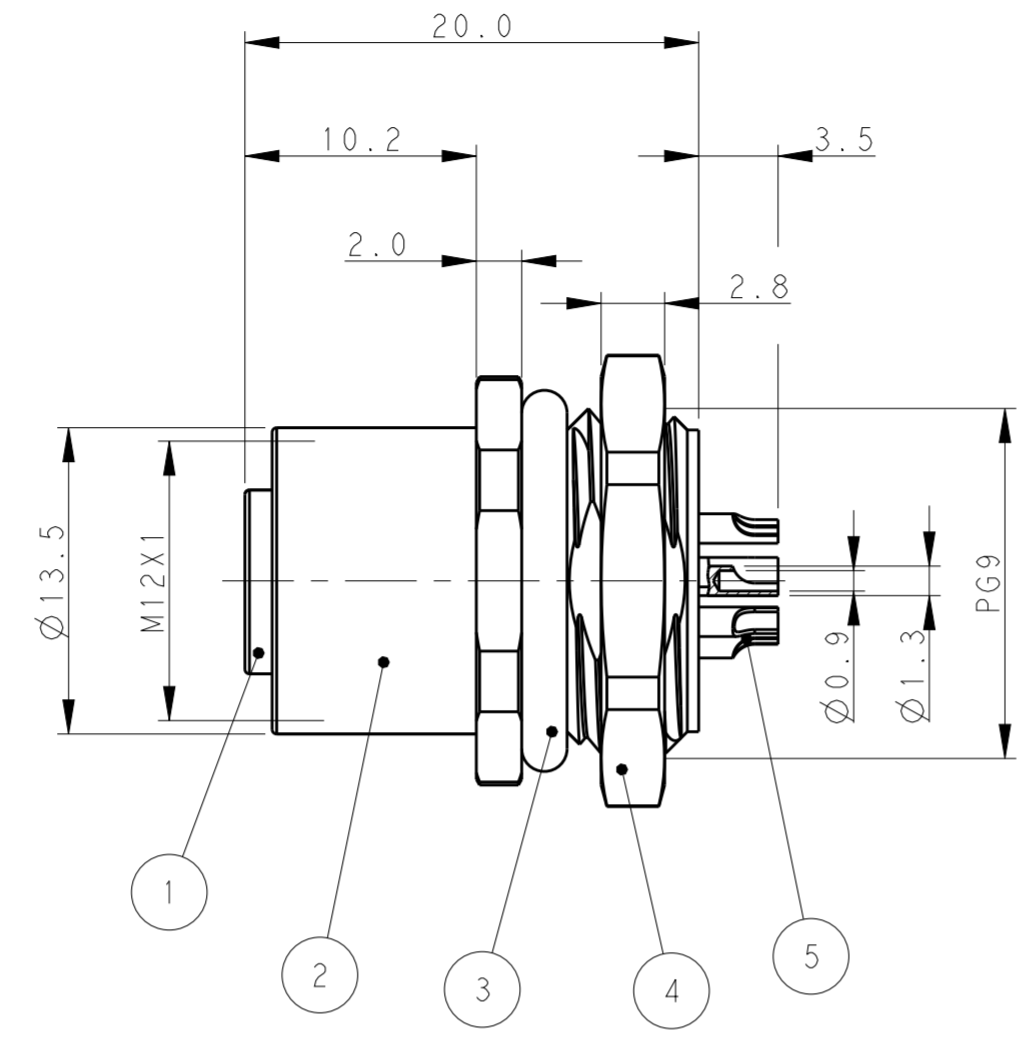
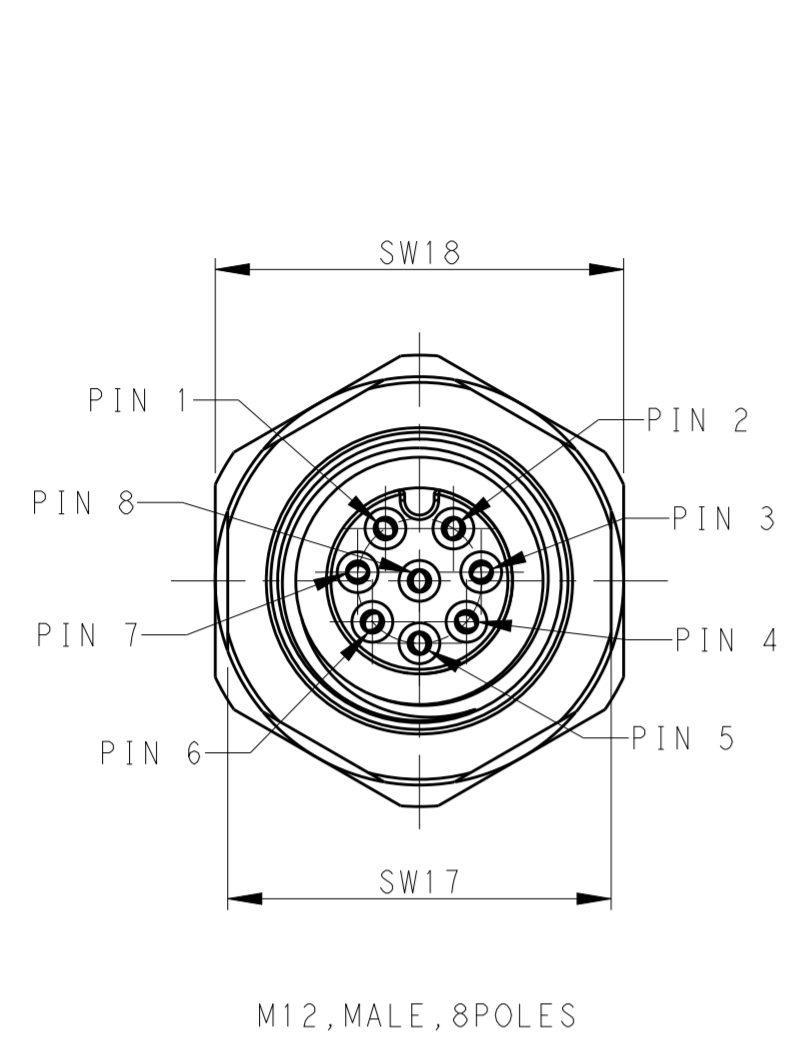


THIS DRAWING IS UNPUBLISHED. RELEASED FOR PUBLICATION 20
 © COPYRIGHT 20 BY - ALL RIGHTS RESERVED.

REVISIONS					
P	LTR	DESCRIPTION	DATE	DWN	APVD
A		INITIAL RELEASE	06JAN2018	G.W	C.W
A1		ECR-18-003481	08MAR2018	G.W	C.W



- NOTE:
1. TECHNICAL DATA: SEE TABLE 1
 2. RECOMMENDED MOUNT PANEL SEE DETAIL
 3. PACKAGING: 1 PIECE IN A BAG
 4. ALL DIMENSIONS ARE FOR NOMINAL REFERENCE ONLY UNLESS OTHERWISE STATED

- 注释:
1. 技术参数, 见表 1
 2. 推荐开孔尺寸详见如图所示
 3. 包装: 1PCS/袋
 4. 所有尺寸仅供参考, 除非另有说明

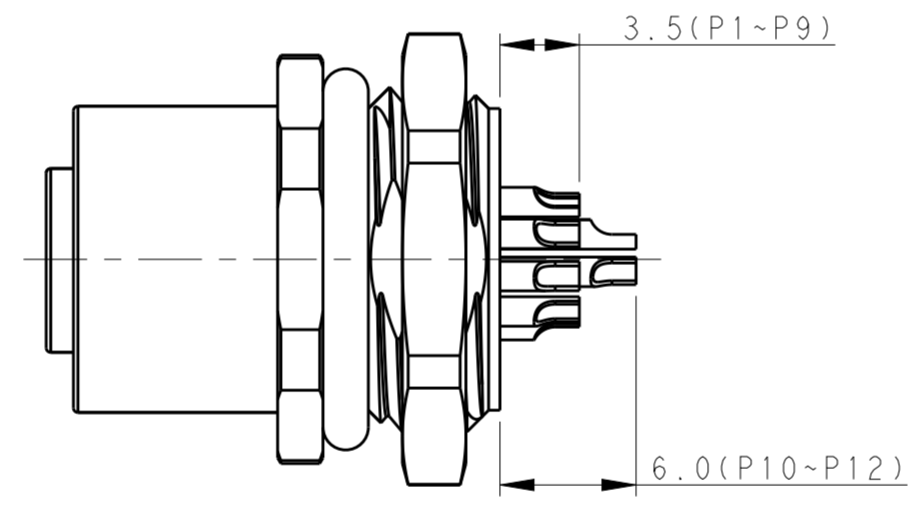
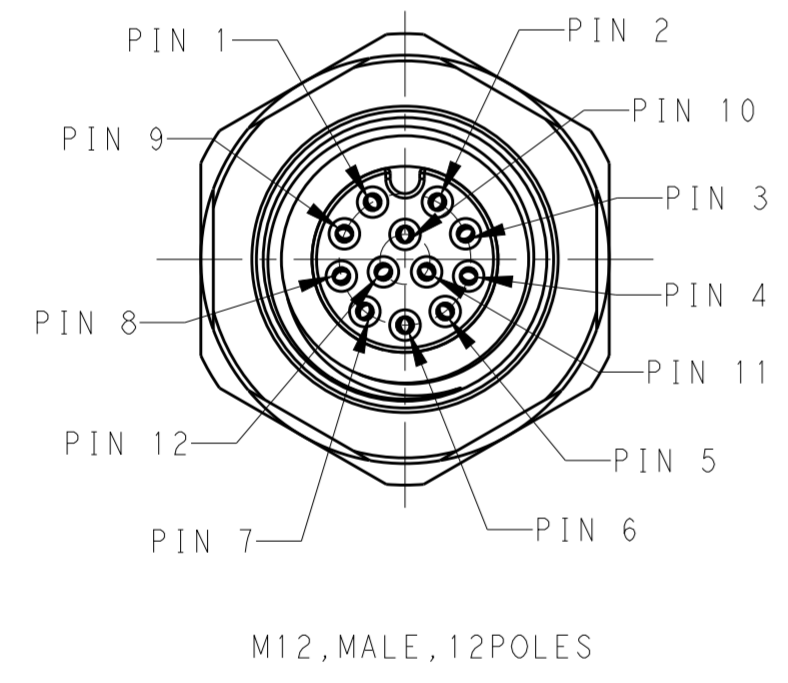
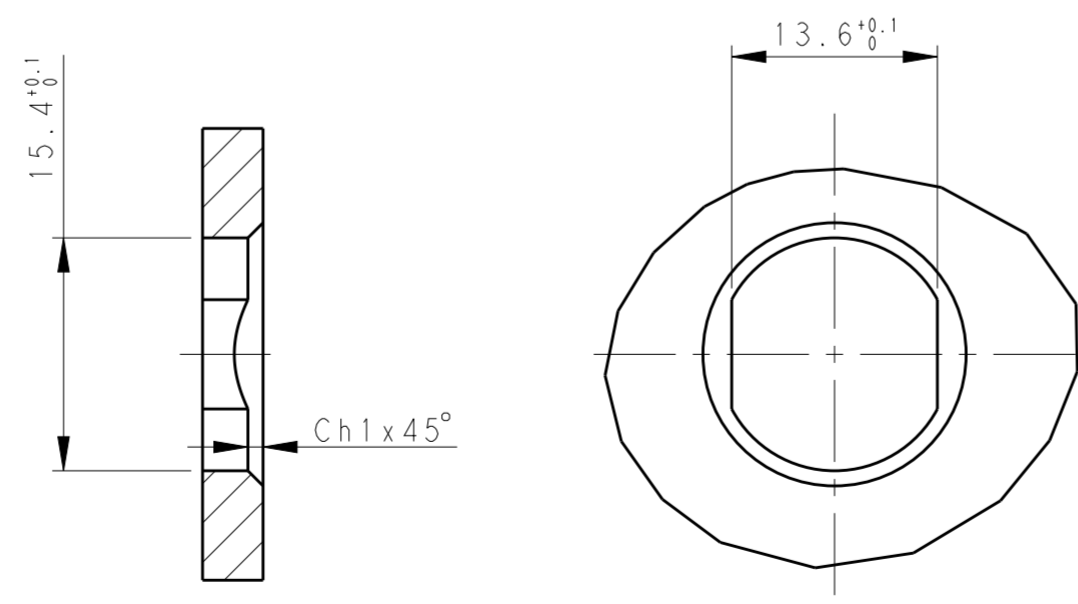


TABLE 1

TECHNICAL DATA	T4133012081-000	T4133012121-000
RATED VOLTAGE	30V	30V
RATED CURRENT	2A	1.5A
POLLUTION DEGREE	3	3
OVERVOLTAGE CATEGORY	II	II
MATERIAL GROUP	II	II
DEGREE OF PROTECTION	IP67	IP67
OPERATION TEMPERATURE	-40~85°C	-40~85°C



RECOMMENDED PANEL CUTOUT

RPC-M12-FB-12CON-PG9-LAU	12	T4133012121-000
RPC-M12-FB-8CON-PG9-LAU	8	T4133012081-000
TYPE	POS.	PART NUMBER

OTHERS	MATERIAL	DESCRIPTION	ITEM
-	EPOXY RESIN	POTTING ADHESIVE	6
GOLD PLATED	COPPER ALLOY	CONTACT	5
NICKEL PLATED	COPPER ALLOY	METAL NUT	4
-	-	O-RING	3
NICKEL PLATED	COPPER ALLOY	M12, FEMALE, METAL BODY	2
-	PA66	M12, FEMALE HSG	1

THIS DRAWING IS A CONTROLLED DOCUMENT.

DWN: 06JAN2018, Gavin Wang
 CHK: 06JAN2018, Kevin Huang
 APVD: 06JAN2018, Chris Wang

PRODUCT SPEC: 108-106140
 APPLICATION SPEC: 114-137144

NAME: M12 PANEL MOUNT CONNECTOR A CODE, FEMALE, FRONT MOUNT WIRE SOLDERING

SIZE: A2, CAGE CODE: -, DRAWING NO: T4133012081000, RESTRICTED TO: -

CUSTOMER DRAWING, SCALE: 3:1, SHEET: 1 OF 1, REV: A1

TE Connectivity