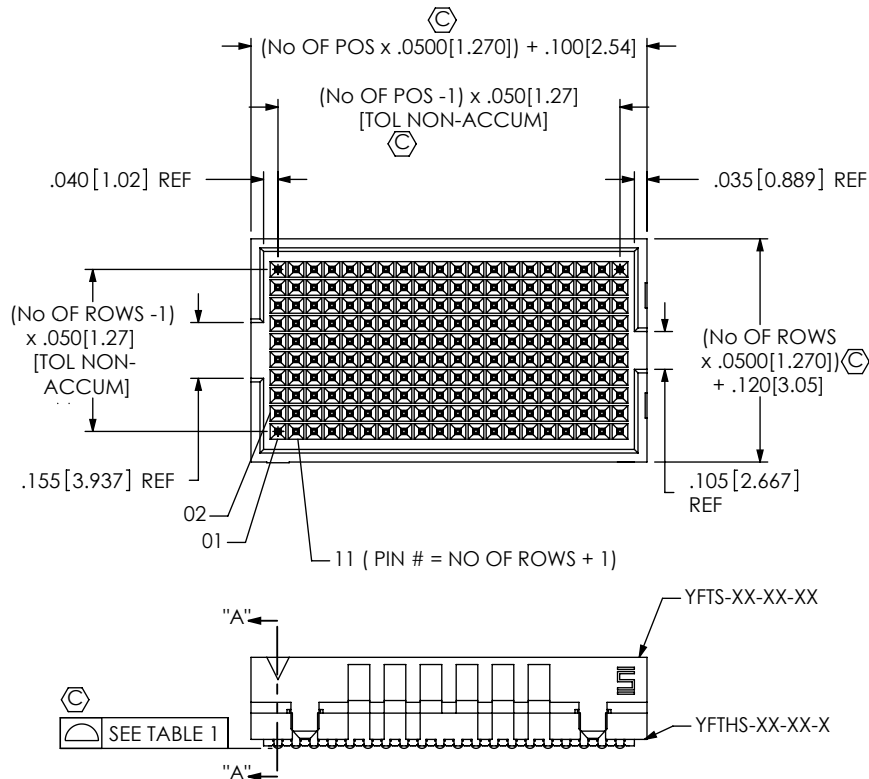


DO NOT SCALE FROM THIS PRINT



YFW-XX-XX-X-XX-XSB-XX

No OF POSITIONS
 -20 THRU -50
 (MULTIPLES OF 10 ONLY)

MATED STACK HEIGHT w/ YFS
 -07: 7mm
 -09: 9mm
 -12: 12mm
 -19: 19mm (SEE FIG. 2)
 -25: 25mm (SEE FIG. 2)

PLATING SPECIFICATION
 -H: HEAVY GOLD (USE T-1R2X-XXB-H-1)
 -E: EXTRA GOLD (USE T-1R2X-XXB-E-1)

OPTION
 ** -K: KAPTON PAD (SEE FIG 3) (AVAILABLE ON -07, -09 & -12 MATED STACKS ONLY)
 -TR: TAPE & REEL (STACK HEIGHT -07 & -09: ALL POSITIONS -12: POSITIONS UP TO 40x10 -19 & -25: NOT AVAILABLE)
 -P: PICK AND PLACE PAD (SEE FIG 4)

SOLDER BALLS
 -SB: SOLDER BALLS (USE SDB-030-6337)
 * -MSB: MODIFIED SOLDER BALLS- Pb FREE (USE SDB-030-9653)

ROW SPECIFICATION
 -05: FIVE ROWS
 -08: EIGHT ROWS (AVAILABLE ON -07, -09 & -12 MATED STACKS ONLY)
 -10: TEN ROWS

**** DO NOT DESIGN IN FOR 10-ROW VERSION. ONLY EXISTING CUSTOMERS, AS OF 2/10/06, WILL BE SUPPORTED. -P OPTION SHOULD BE USED FOR 10-ROW VERSION.**

*** = NOT RELEASE FOR PRODUCTION.**

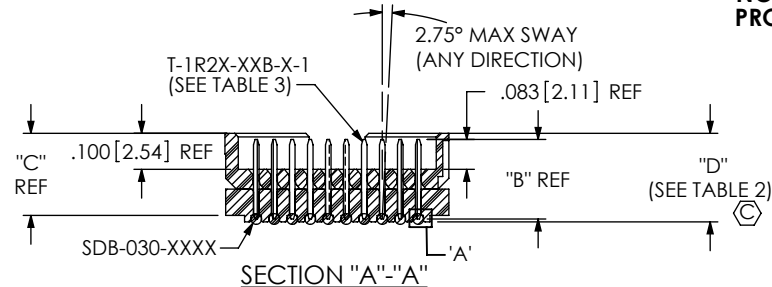
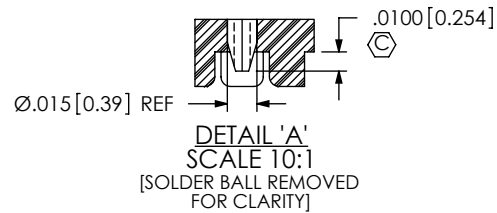
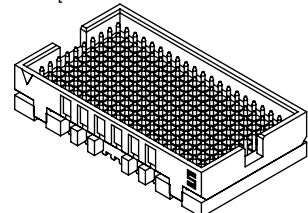


FIG 1
 YFW-20-07-X-10-SB SHOWN
 [STACK HEIGHT -09 & -12 SIMILAR]



NOTES:

1. \odot REPRESENTS A CRITICAL DIMENSION.
2. MAXIMUM BURR ALLOWANCE: $.0015[0.038]$
3. MINIMUM PUSHOUT FORCE: PRE-PROCESS: 8 OZ, POST-PROCESS: 5 OZ
4. MAXIMUM ALLOWABLE BOW; TOP/BOTTOM: $.006[0.15]$, SIDE/SIDE: $.003[0.08]$
5. ALL DIMS TO BE SYMMETRICAL ABOUT CENTERLINE WITHIN $\pm .002[0.05]$.
6. BODY RETENTION BETWEEN WELDED BODIES TO BE 4 LBS MINIMUM TOTAL.
7. MAXIMUM WELD FLASH: $.020[0.51]$
8. -H PLATING MAY BE SUBSTITUTED FOR -G PLATING.
9. NOTE DELETED.
10. TRAY PACKAGING CAN BE SUBSTITUTED FOR TUBES.
11. \odot .0040 MAX VARIATION BETWEEN SOLDERBALLS.

TABLE 1

No OF POS	ROW SPEC	COPLANARITY
-20	-05	.004[.10]
-30	-05	.006[.15]
-20 & -30	-08, -10	.006[.15]
-40	-05, -08, -10	.008[.20]
-50	-05	.008[.20]
-50	-08, -10	.010[.25]

TABLE 2

STACK HEIGHT	"A" REF	"B" REF	"C"	"D"	MATED HEIGHT w / YFS
-07	.258[6.55]	.221[5.61]	.228[5.79]	.246[6.25]	.276[7.00]
-09	.335[8.51]	.299[7.59]	.306[7.77]	.324[8.23]	.354[9.00]
-12	.453[11.51]	.417[10.59]	.424[10.77]	.442[11.23]	.472[12.00]
-19	.728[18.49]	.692[17.58]	.699[17.75]	.717 $\begin{smallmatrix} +.005 \\ -.008 \end{smallmatrix}$ 18.21 $\begin{smallmatrix} +.13 \\ -.20 \end{smallmatrix}$.748[19.00]
-25	.964[24.49]	.928[23.57]	.935[23.75]	.953 $\begin{smallmatrix} +.005 \\ -.008 \end{smallmatrix}$ 24.21 $\begin{smallmatrix} +.13 \\ -.20 \end{smallmatrix}$.984[25.00]

TABLE 3

STACK HEIGHT	TERMINAL	USE YFTS	USE YFTM	USE YFTHS
-07	T-1R24-07B-X-1	YFTS-XX-01-XX	N/A	YFTHS-XX-XX-X
-09	T-1R24-09B-X-1	YFTS-XX-02-XX	N/A	YFTHS-XX-XX-X
-12	T-1R27-12B-X-1	YFTS-XX-03-XX	N/A	YFTHS-XX-XX-X
-19	T-1R27-19B-X-1	YFTS-XX-01-XX	YFTM-XX-19-XX	YFTHS-XX-XX-X
-25	T-1R27-25B-X-1	YFTS-XX-01-XX	YFTM-XX-25-XX	YFTHS-XX-XX-X

TABLE 4

ROW	USE YFTS	USE YFTM	USE YFTHS
-05	YFTS-XX-XX-05	YFTM-XX-XX-05	YFTHS-XX-05-X
-08	YFTS-XX-XX-08	-----	YFTHS-XX-08-X
-10	YFTS-XX-XX-10	YFTM-XX-XX-10	YFTHS-XX-10-X

UNLESS OTHERWISE SPECIFIED, DIMENSIONS ARE IN INCHES.

TOLERANCES ARE:
 DECIMALS .XX: $\pm .01[0.3]$
 .XXX: $\pm .005[0.13]$
 .XXXX: $\pm .0020[0.051]$

ANGLES 2°

PROPRIETARY NOTE
 THIS DOCUMENT CONTAINS CONFIDENTIAL AND PROPRIETARY INFORMATION AND ALL DESIGN, MANUFACTURING, REPRODUCTION, USE, PATENT RIGHTS AND SALES RIGHTS ARE EXPRESSLY RESERVED BY SAMTEC, INC. THIS DOCUMENT SHALL NOT BE DISCLOSED, IN WHOLE OR PART, TO ANY UNAUTHORIZED PERSON OR ENTITY NOR REPRODUCED, TRANSFERRED OR INCORPORATED IN ANY OTHER PROJECT IN ANY MANNER WITHOUT THE EXPRESS WRITTEN CONSENT OF SAMTEC, INC.

MATERIAL: DO NOT SCALE DRAWING SHEET SCALE: 1.875:1
 INSULATOR: LCP, COLOR: BLACK
 TERMINAL: BRASS
 SOLDER BALL: 63% TIN/ 37% LEAD

DESCRIPTION:
 FleX, Y, Z, .050 CENTERLINE TERMINAL ASSEMBLY
 DWG. NO. **YFW-XX-XX-X-XX-XSB-XX**

BY: DEAN P 5/11/2001 SHEET 1 OF 4

F:\dwg\misc\mktg\YFW-XX-XX-X-XX-XSB-XX-MKT.SLDDRW



520 PARK EAST BLVD, NEW ALBANY, IN 47150
 PHONE: 812-944-6733 FAX: 812-948-5047
 e-Mail: info@SAMTEC.com code: 55322

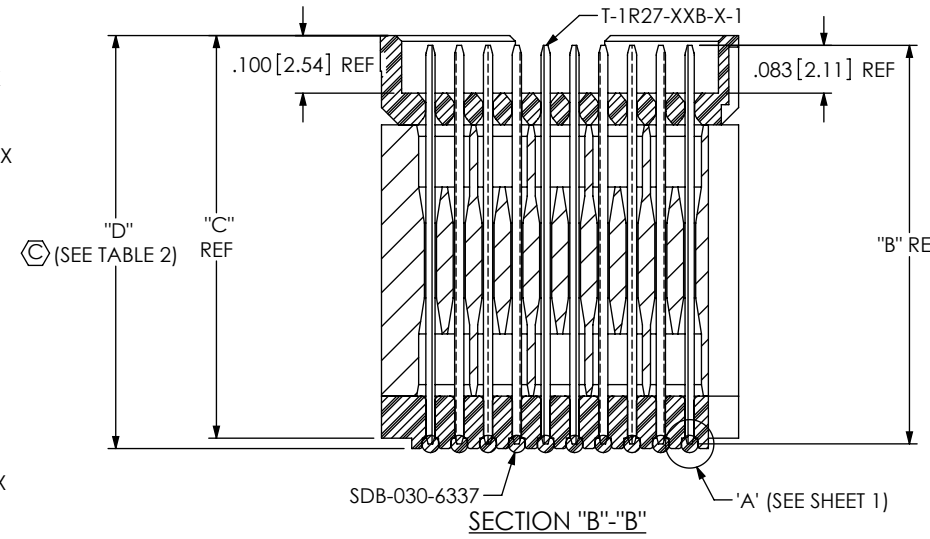
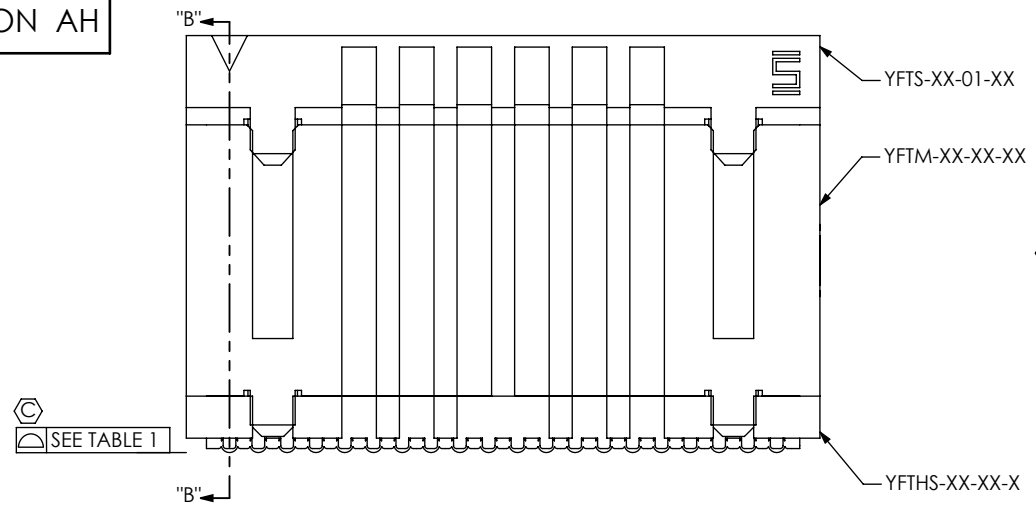


FIG 2
YFW-20-19-X-10-SB SHOWN
[STACK HEIGHT -25 SIMILAR]
(DIFFERENT AS SHOWN, OTHERWISE SAME AS FIG 1)

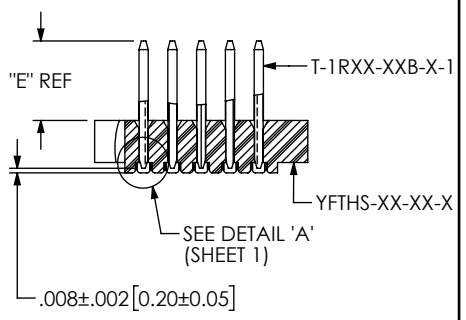
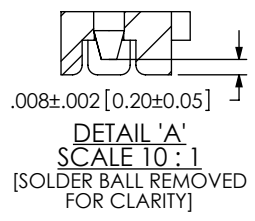


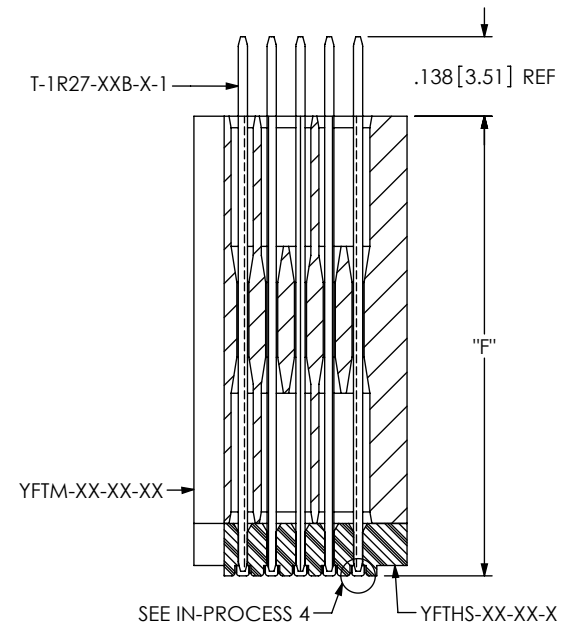
TABLE 5

STACK HEIGHT	"E"
-07	.138[3.51]
-09	.216[5.49]
-12	.334[8.48]

IN-PROCESS 4
RE-PRESS
STACK HEIGHT -19 & -25



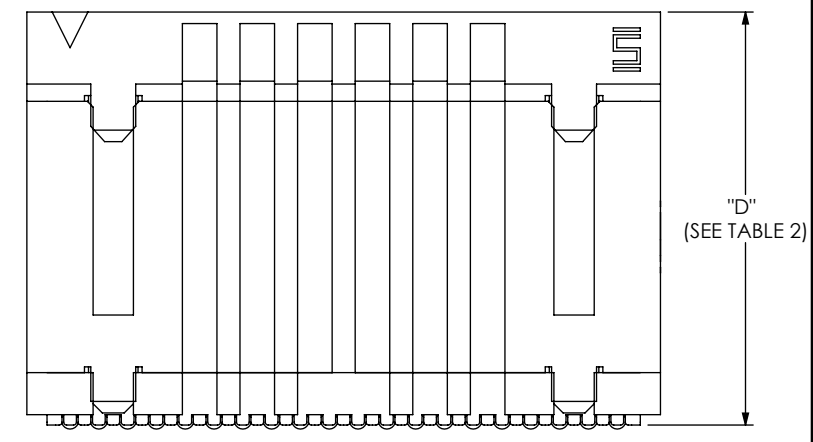
F:\dwg\misc\mktg\YFW-XX-XX-X-XX-XSB-XX-MKT.SLDDRW



IN-PROCESS 1 & 2
STACK HEIGHT -19 & -25

TABLE 6

STACK HEIGHT	"F"
-19	.5620[14.275]
-25	.7980[20.269]



IN-PROCESS 3
STACK HEIGHT -19 & -25

PROPRIETARY NOTE
THIS DOCUMENT CONTAINS CONFIDENTIAL AND PROPRIETARY INFORMATION AND ALL DESIGN, MANUFACTURING, REPRODUCTION, USE, PATENT RIGHTS AND SALES RIGHTS ARE EXPRESSLY RESERVED BY SAMTEC, INC. THIS DOCUMENT SHALL NOT BE DISCLOSED, IN WHOLE OR PART, TO ANY UNAUTHORIZED PERSON OR ENTITY NOR REPRODUCED, TRANSFERRED OR INCORPORATED IN ANY OTHER PROJECT IN ANY MANNER WITHOUT THE EXPRESS WRITTEN CONSENT OF SAMTEC, INC.

DO NOT SCALE DRAWING
SHEET SCALE: 1.875:1



520 PARK EAST BLVD, NEW ALBANY, IN 47150
PHONE: 812-944-6733 FAX: 812-948-5047
e-Mail: info@SAMTEC.com code: 55322

DESCRIPTION:
Flex, Y, Z, .050 CENTERLINE TERMINAL ASSEMBLY
DWG. NO.

YFW-XX-XX-X-XX-XSB-XX

BY: DEAN P 5/11/2001 SHEET 2 OF 4

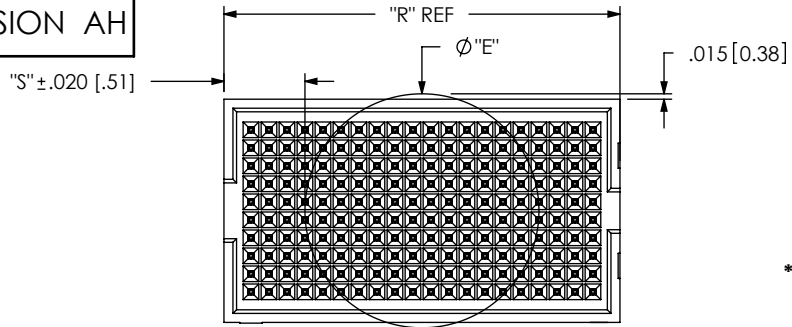
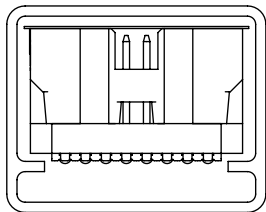


TABLE 7		
ROW OPTION	"E"	KAPTON TAPE
-05	.404 [10.25]	K-DOT-.404-.500-.005
-08	.550 [13.97]	K-850-650
-10**	.650 [16.50]	K-1000-800

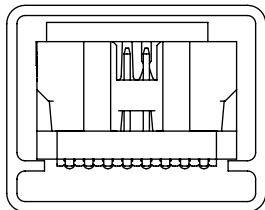
**** DO NOT DESIGN IN FOR 10-ROW VERSION. ONLY EXISTING CUSTOMERS, AS OF 2/10/06, WILL BE SUPPORTED. -P OPTION SHOULD BE USED FOR 10-ROW VERSION.**

"R" = (No OF POSITIONS x .0500[1.270]) + .100[2.54]
 "S" = ("R" - "E" / 2)

FIG 3
 -K: PAD OPTION
 YFW-20-XX-X-10-SB-K SHOWN
 [PAD = .005 THICK]



-08 ROW
 YFW-XX-09-X-08-SB-K SHOWN



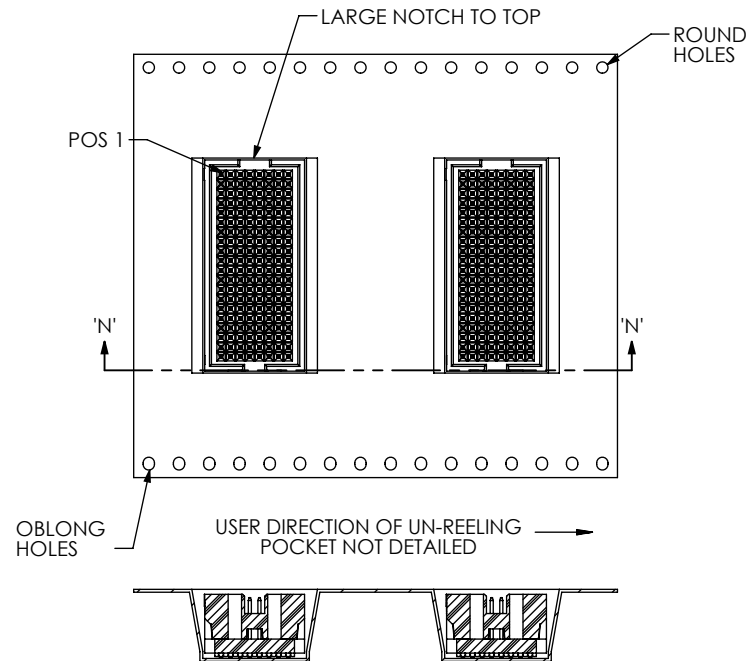
-08 ROW
 YFW-XX-09-X-08-SB-P SHOWN

PACKAGING TUBE

(SEE NOTE 10)

(PARTS TO HAVE POSITION #1 LOADED IN SAME DIRECTION AS ARROW ON TUBE)

PACKAGING TUBES				
ROW	STACK HEIGHT	TUBE W/ NONE, -K	TUBE W/ -P	PLUG
-05	-07	PT-1-24-07F-109	PT-YFW-07F-P	TP-29
-05	-09	PT-1-24-09F-109	PT-YFW-09F-P	TP-29
-05	-12	PT-YFW-12F-P	PT-YFW-12F-P	TP-13
-05	-19	PT-1-24-19F-109	PT-1-24-01-131	TP-13
-05	-25	PT-1-24-25F-109	PT-YFW-25F-P	TP-29
-08	-07	PT-YFW-07E-P	PT-YFW-07E-P	TP-13
-08	-09	PT-1-24-09E-109	PT-YFW-09E-P	TP-29
-08	-12	PT-1-24-12E-109	PT-YFW-12E-P	TP-29
-10	-07	PT-1-24-07T-109	PT-1-24-07T-109	TP-13
-10	-09	PT-1-24-09T-109	PT-YFW-09T-P	TP-13
-10	-12	PT-1-24-12T-109	PT-YFW-12T-P	TP-28
-10	-19	PT-1-24-19T-109	PT-YFW-19T-P	TP-26
-10	-25	PT-1-24-25T-109	PT-YFW-25T-P	TP-28



SECTION 'N'-'N'
 SCALE 1 : 1

TAPE AND REEL VIEW

F:\dwg\misc\mktg\YFW-XX-XX-X-XX-XSB-XX-MKT.SLDDRW

PROPRIETARY NOTE
 THIS DOCUMENT CONTAINS CONFIDENTIAL AND PROPRIETARY INFORMATION AND ALL DESIGN, MANUFACTURING, REPRODUCTION, USE, PATENT RIGHTS AND SALES RIGHTS ARE EXPRESSLY RESERVED BY SAMTEC, INC. THIS DOCUMENT SHALL NOT BE DISCLOSED, IN WHOLE OR PART, TO ANY UNAUTHORIZED PERSON OR ENTITY NOR REPRODUCED, TRANSFERRED OR INCORPORATED IN ANY OTHER PROJECT IN ANY MANNER WITHOUT THE EXPRESS WRITTEN CONSENT OF SAMTEC, INC.

DO NOT SCALE DRAWING

SHEET SCALE: 1.875:1



520 PARK EAST BLVD, NEW ALBANY, IN 47150
 PHONE: 812-944-6733 FAX: 812-948-5047
 e-Mail: info@SAMTEC.com code: 55322

DESCRIPTION:
 FleX, Y, Z, .050 CENTERLINE TERMINAL ASSEMBLY

DWG. NO.
YFW-XX-XX-X-XX-XSB-XX

BY: DEAN P 5/11/2001 SHEET 3 OF 4

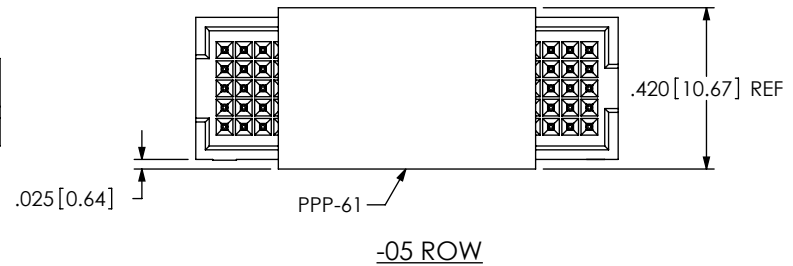
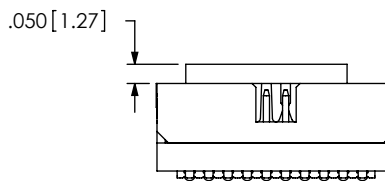
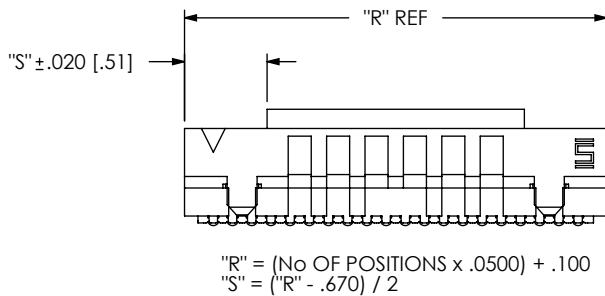
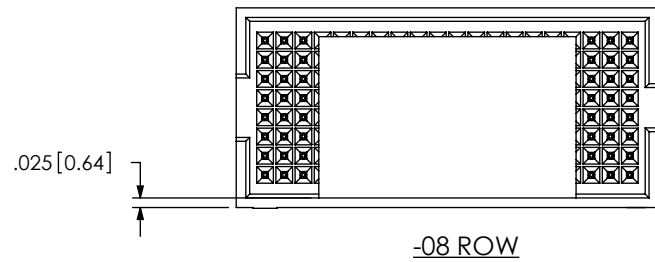
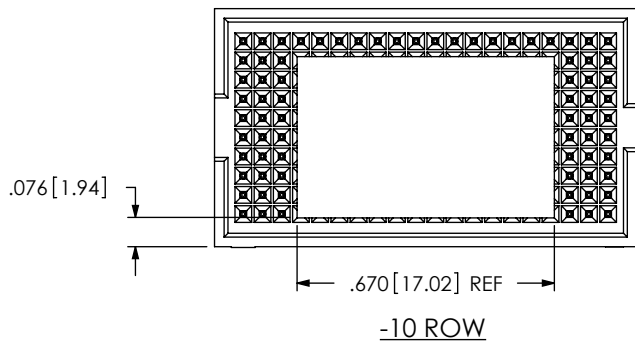


FIG 4

-P: PICK AND PLACE OPTION

PROPRIETARY NOTE
 THIS DOCUMENT CONTAINS CONFIDENTIAL AND PROPRIETARY INFORMATION AND ALL DESIGN, MANUFACTURING, REPRODUCTION, USE, PATENT RIGHTS AND SALES RIGHTS ARE EXPRESSLY RESERVED BY SAMTEC, INC. THIS DOCUMENT SHALL NOT BE DISCLOSED, IN WHOLE OR PART, TO ANY UNAUTHORIZED PERSON OR ENTITY NOR REPRODUCED, TRANSFERRED OR INCORPORATED IN ANY OTHER PROJECT IN ANY MANNER WITHOUT THE EXPRESS WRITTEN CONSENT OF SAMTEC, INC.

DO NOT SCALE DRAWING

SHEET SCALE: 2:1



520 PARK EAST BLVD, NEW ALBANY, IN 47150
 PHONE: 812-944-6733 FAX: 812-948-5047
 e-Mail: info@SAMTEC.com code: 55322

DESCRIPTION:
 FleX, Y, Z, .050 CENTERLINE TERMINAL ASSEMBLY

DWG. NO.
YFW-XX-XX-X-XX-XSB-XX

BY: DEAN P 5/11/2001 SHEET 4 OF 4