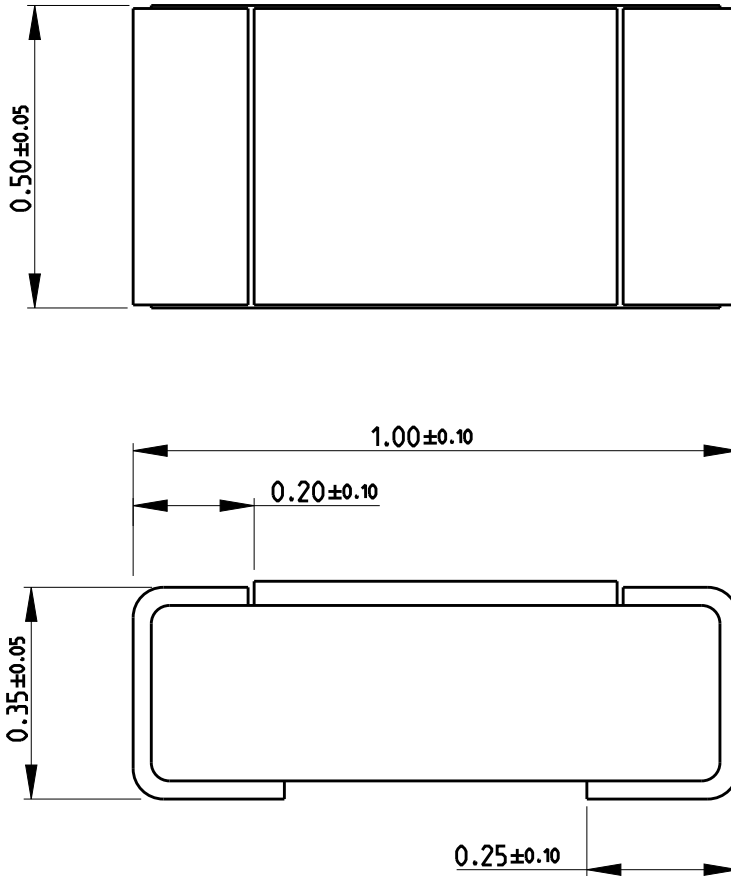


REVISIONS

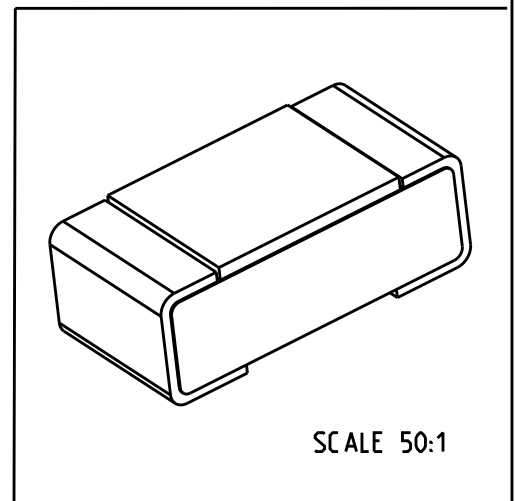
P	LTR	DESCRIPTION	DATE	DWN	APVD
	A	NEW DRAWING	21MAY2018	GCM	AP



NOTES:

- FOR FURTHER INFORMATION SEE DATA SHEET FOR CRGCQ SERIES SMD AEC-Q200 THICK FILM CHIP RESISTORS

RoHS Compliant



SCALE 50:1

RELEASED FOR PUBLICATION

ALL RIGHTS RESERVED.

THIS DRAWING IS UNPUBLISHED.

© COPYRIGHT copyright_date BY -

DIMENSIONS:		DWN	21MAY2018	MATERIAL	-	FINISH	-
mm		GANESH C M					
TOLERANCES UNLESS OTHERWISE SPECIFIED:		CHK	21MAY2018				
0 PLC	±0.5	ALLAN.P		NAME SMD AEC-Q200 COMPLIANT THICK FILM CHIP RESISTOR TYPE CRGCQ 0402 SERIES			
1 PLC	±0.2	APVD	21MAY2018				
2 PLC	±0.1	ALLAN.P		SIZE	CAGE CODE	DRAWING NO	RESTRICTED TO
3 PLC	±	PRODUCT SPEC	-	A 4	00779	C-2176338	-
4 PLC	±	APPLICATION SPEC	-	CUSTOMER DRAWING			
ANGLES	±5°	WEIGHT	-				
						REV	A