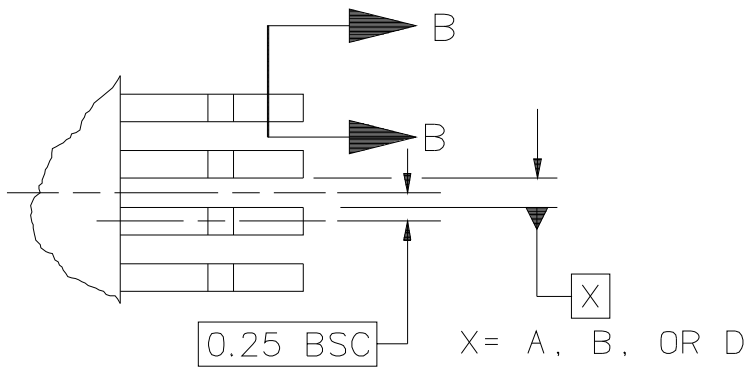
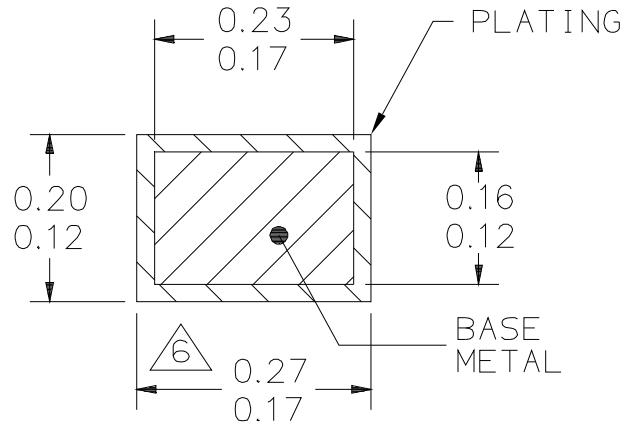


© FREESCALE SEMICONDUCTOR, INC. ALL RIGHTS RESERVED.		MECHANICAL OUTLINE		PRINT VERSION NOT TO SCALE	
TITLE: 80 LD FQFP (12 X 12)		DOCUMENT NO: 98ASS23174W		REV: E	
		CASE NUMBER: 917-01		09 MAR 2011	
		STANDARD: NON-JEDEC			

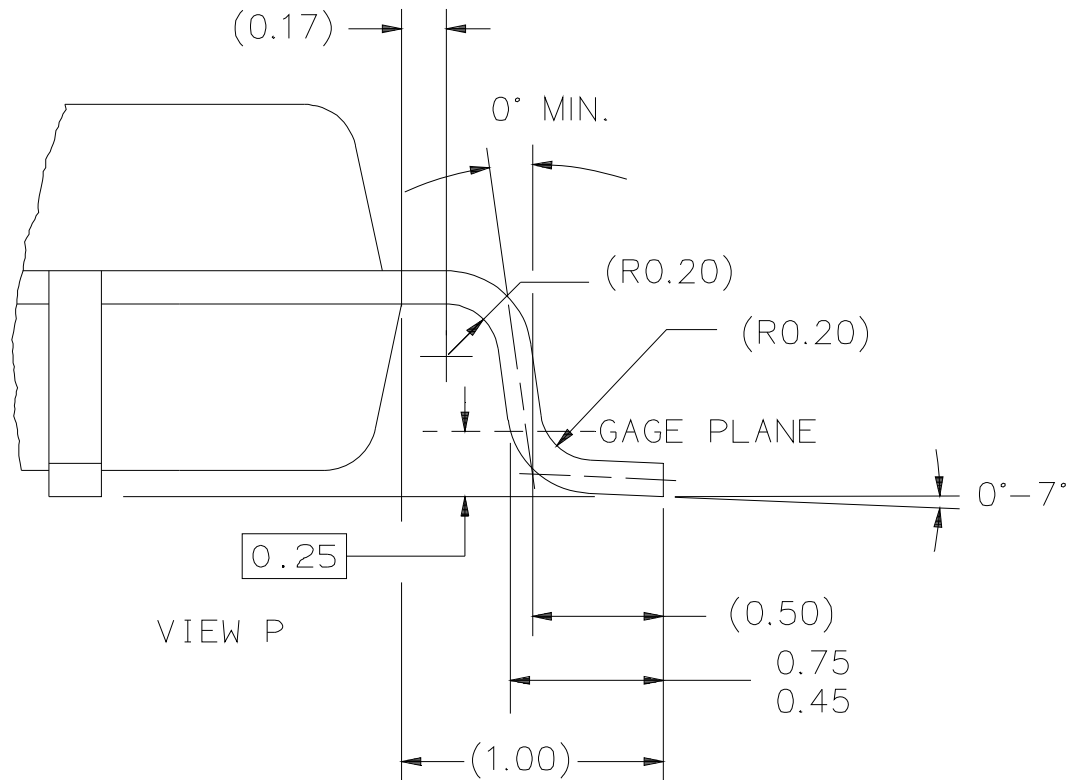


VIEW Y  
3 PLACES



$\oplus$  0.08  $\text{\textcircled{M}}$  C A-B D

SECTION B-B  
80 PLACES  
ROTATED 90° CW



VIEW P

© FREESCALE SEMICONDUCTOR, INC.  
ALL RIGHTS RESERVED.

MECHANICAL OUTLINE

PRINT VERSION NOT TO SCALE

TITLE:  
80 LD FQFP (12 X 12)

DOCUMENT NO: 98ASS23174W

REV: E

CASE NUMBER: 917-01

09 MAR 2011

STANDARD: NON-JEDEC

NOTES

1. ALL DIMENSIONS AND TOLERANCES CONFORM TO ASME Y14.5M-1994.
2. CONTROLLING DIMENSIONS: MILLIMETER.
3. DATUM PLANE H IS COINCIDENT WITH THE BOTTOM OF THE LEAD WHERE THE LEAD EXITS THE PLASTIC BODY AT THE BOTTOM OF THE PARTING LINE.
4. DATUMS A, B AND D TO BE DETERMINED AT DATUM PLANE H.

5. DIMENSIONS TO BE DETERMINED AT SEATING PLANE DATUM C.

6. DIMENSIONS DO NOT INCLUDE MOLD PROTRUSION. ALLOWABLE PROTRUSION IS 0.25 PER SIDE. DIMENSIONS DO INCLUDE MOLD MISMATCH AND ARE DETERMINED AT DATUM PLANE H.

7. DIMENSION DOES NOT INCLUDE DAMBAR PROTRUSION. THE DAMBAR PROTRUSION SHALL NOT CAUSE THE D DIMENSION TO EXCEED 0.35.

© FREESCALE SEMICONDUCTOR, INC. ALL RIGHTS RESERVED.	MECHANICAL OUTLINE	PRINT VERSION NOT TO SCALE	
TITLE:  80 LD FQFP (12 X 12)	DOCUMENT NO: 98ASS23174W	REV: E	
	CASE NUMBER: 917-01	09 MAR 2011	
	STANDARD: NON-JEDEC		