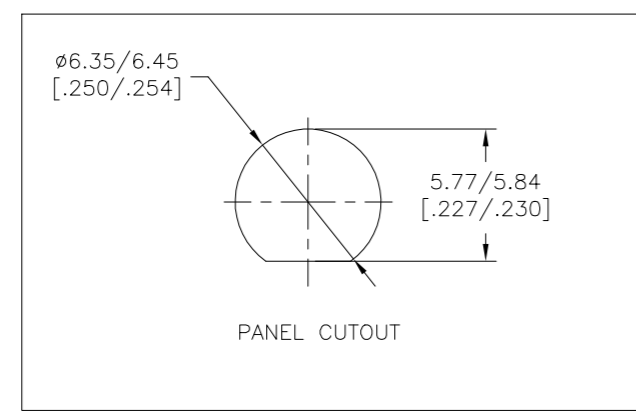
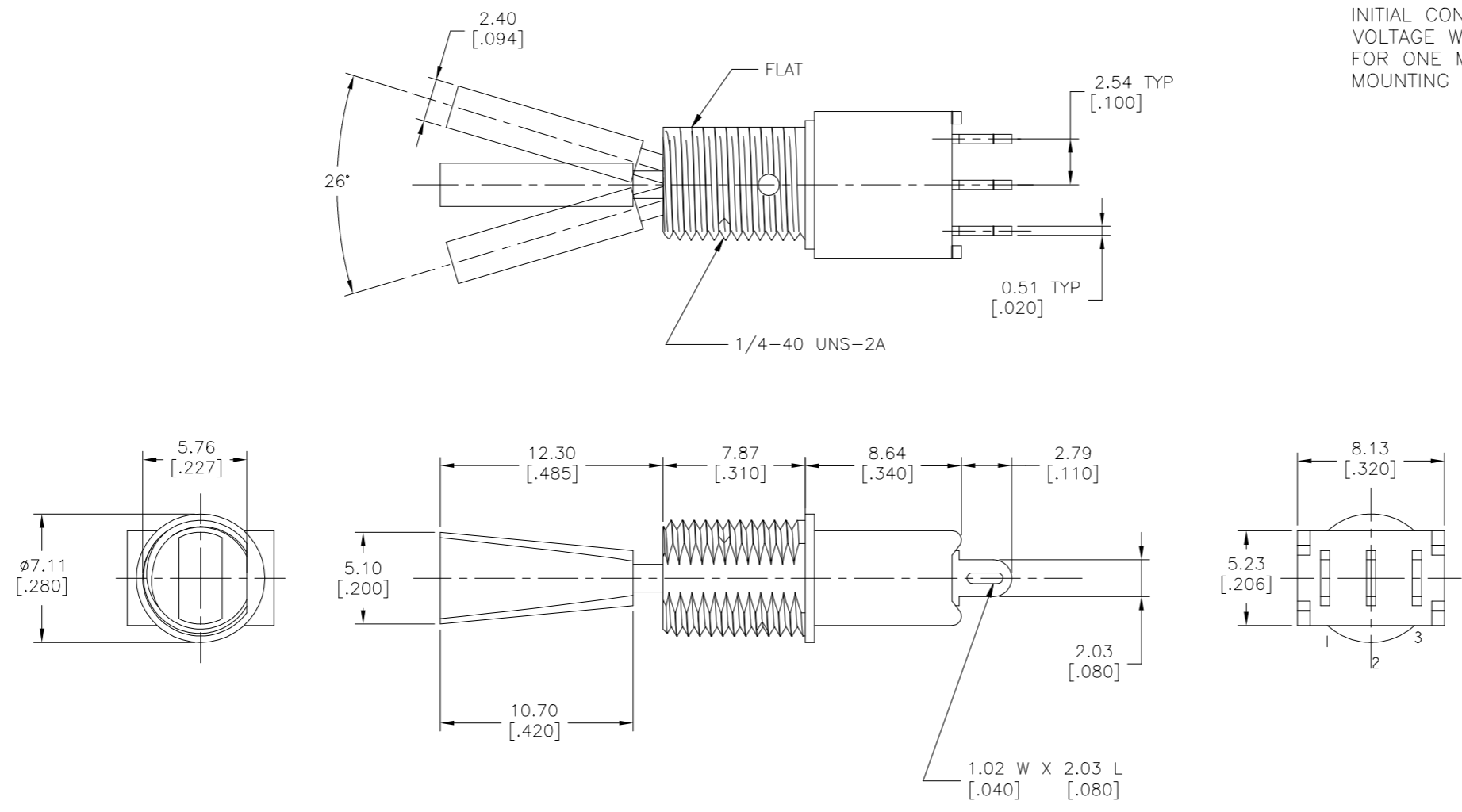


THIS DRAWING IS UNPUBLISHED. RELEASED FOR PUBLICATION
 © COPYRIGHT - TE Connectivity Ltd. ALL RIGHTS RESERVED.

REVISIONS				
P	LTR	DESCRIPTION	DATE	APVD
A		NEW DRAWING	18SEP2018	RS PO

SPECIFICATIONS:
 CURRENT RATING: SILVER 3A@125VAC OR 28VDC(RESISTIVE).
 INITIAL CONTACT RESISTANCE: 20 MILLIOHMS MAX. @100MV AND 1MA.
 VOLTAGE WITHSTAND: 1000VAC BETWEEN TERMINALS AND CASE GROUND FOR ONE MINUTE.
 MOUNTING HARDWARE SUPPLIED: LOCKWASHER AND 2 HEX NUTS.



TERMINALS CONNECTED WHEN TOGGLE IN POSITIONS SHOWN			
SWITCH MODEL NO.	Diagram 1 (FLAT)	Diagram 2 (FLAT)	Diagram 3 (FLAT)
TT13D-7T-1/4	2 TO 3	NONE	2 TO 1
TT13E-7T-1/4	2 TO 3	OFF	2 TO 1

NOTE: TERMINAL DESIGNATION NUMBERS ARE FOR REFERENCE ONLY AND DO NOT APPEAR ON SWITCHES

THIS DRAWING IS A CONTROLLED DOCUMENT.		DWN RAVI S 18SEP2018	STE TE Connectivity Ltd.	
DIMENSIONS: mm		CHK PETER OTT 18SEP2018		
TOLERANCES UNLESS OTHERWISE SPECIFIED:		APVD PETER OTT 18SEP2018	NAME	
0 PLC ± -		PRODUCT SPEC	TOGGLE SWITCH FLATED TOGGLE, WIRE LUG	
1 PLC ± -		APPLICATION SPEC	SIZE A2	CAGE CODE 00779
2 PLC ± -		WEIGHT -	DRAWING NO C-9-1437561-1	
3 PLC ± -		CUSTOMER DRAWING	SCALE 1:1	SHEET 1 OF 1
4 PLC ± -			REV A	
ANGLES ± -				
FINISH -				