

THIS DRAWING IS UNPUBLISHED. RELEASED FOR PUBLICATION 20  
 © COPYRIGHT 20 BY - ALL RIGHTS RESERVED.

NOTES:

- 1 MATERIALS AND FINISH:  
 -MODULE HOUSING: PBT, COLOR: GREY  
 -CONTACTS: BRASS, FINISH: Sn  
 -O-RING: SILICON RUBBER

2. MUST COMPLY WITH DIRECTIVE 2002/95/EC (ROHS)

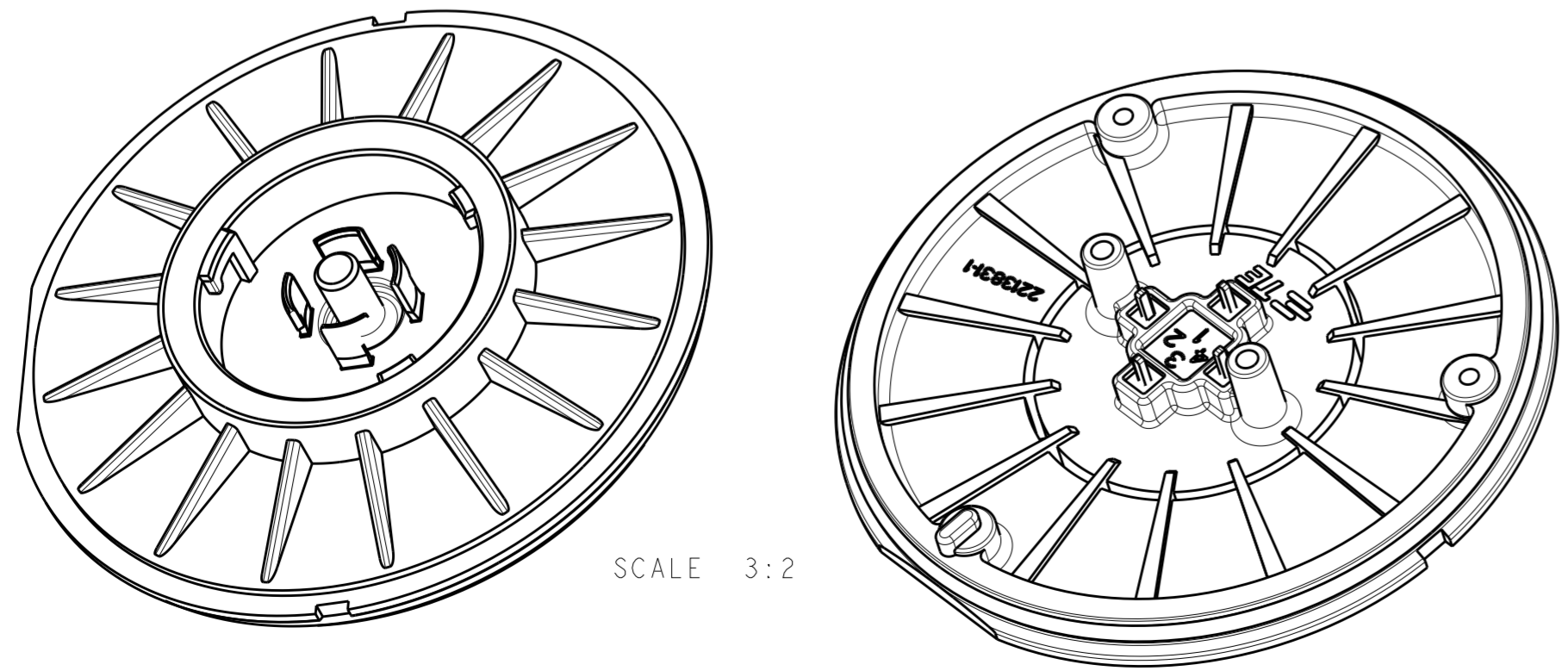
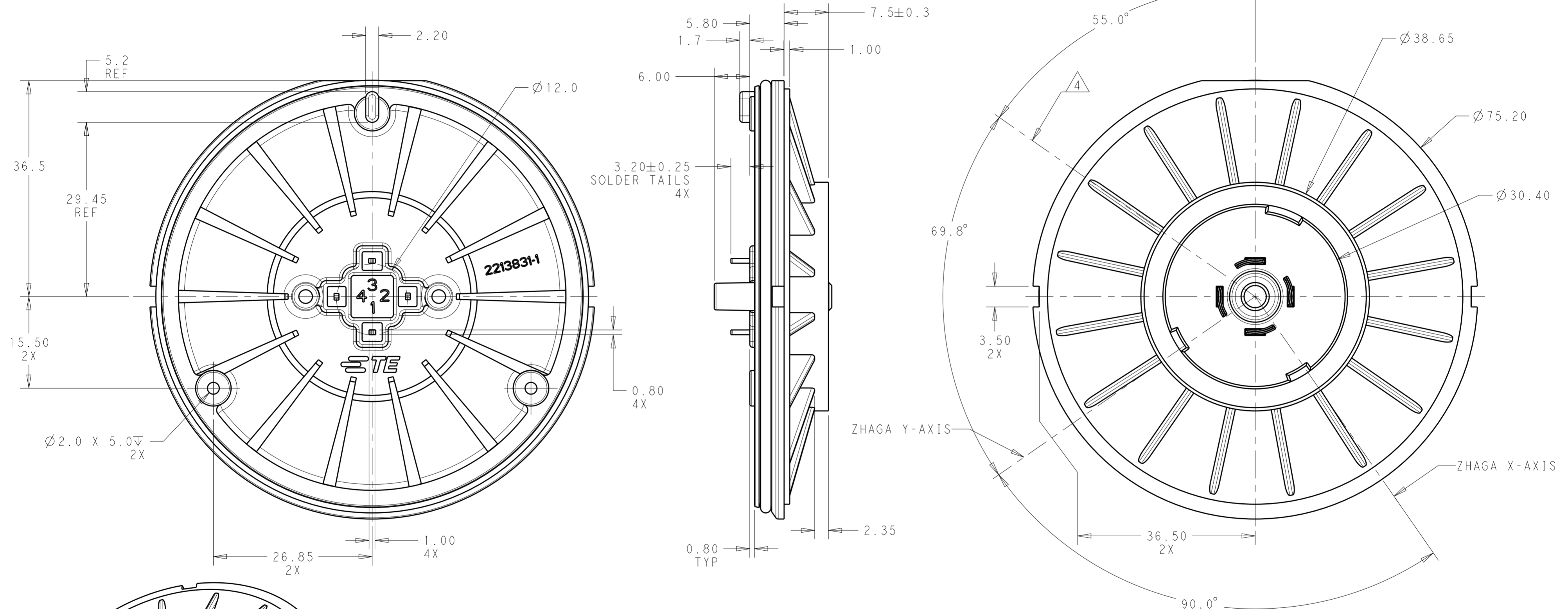
3 THIS PRODUCT HAS NOT COMPLETED VALIDATION TESTING

4 LOCATION OF FLAT ON RECEPTACLE (TE P/N 2213858-1) THREAD SECTION IN FULL MATED POSITION

5. COMPATIBLE DOME IS 2328823-X.

6 PRELIMINARY

REVISIONS				
P	LTR	DESCRIPTION	DATE	APVD
A		REVISED PER ECR-18-017023	05NOV2018	SR DD



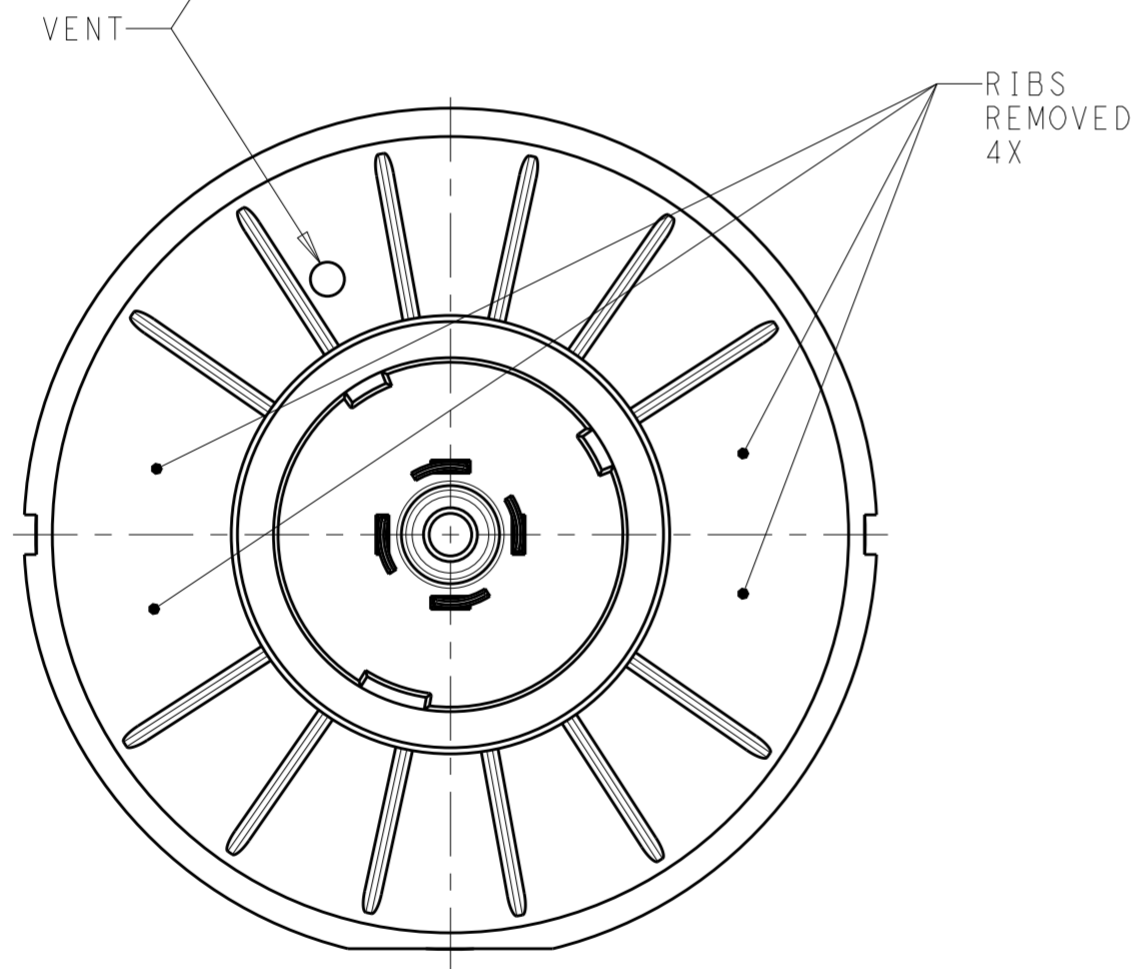
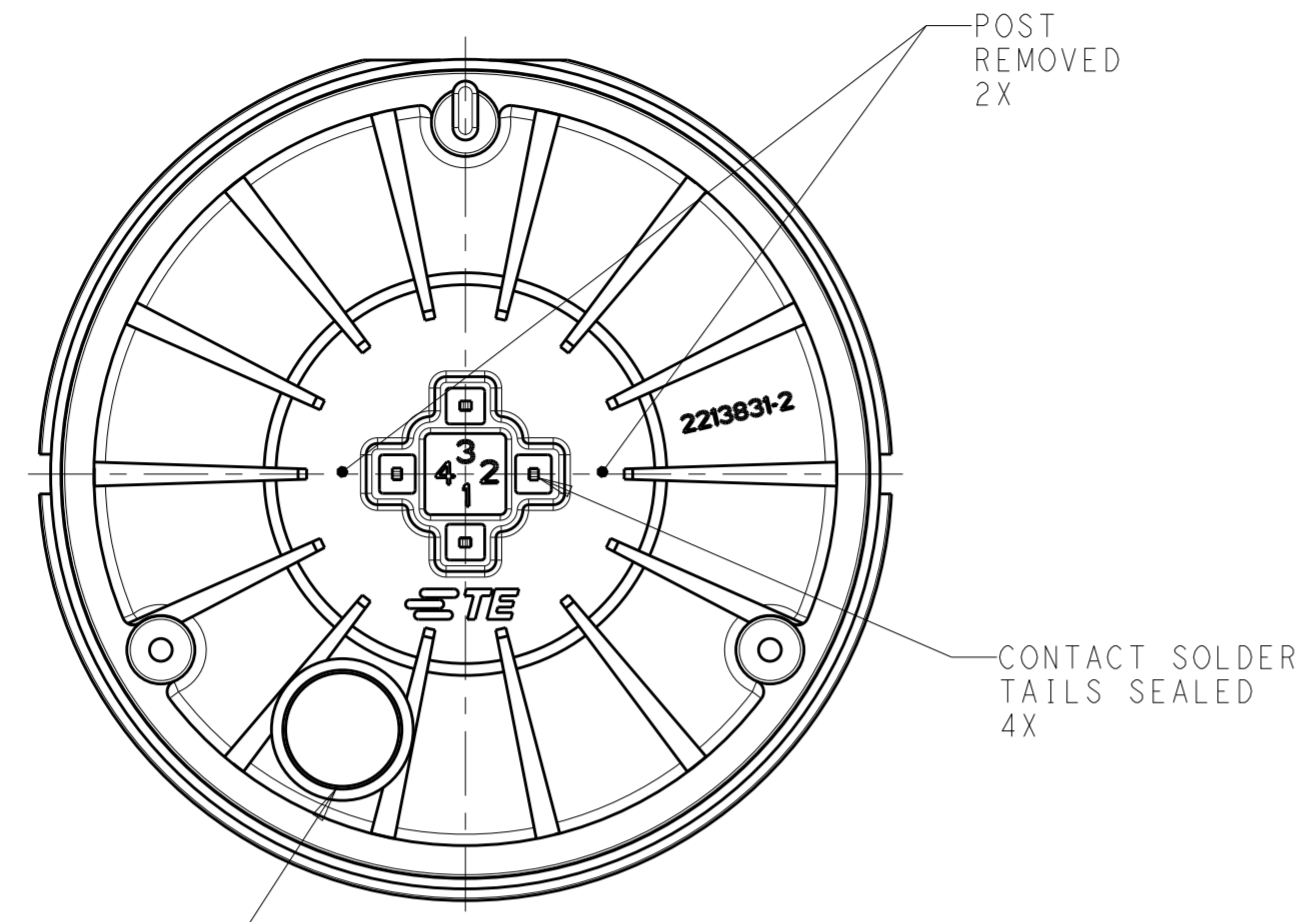
2213831-1 SHOWN

3	2213831-3
3	2213831-2 6
-	2213831-1
NOTES	PART NO.

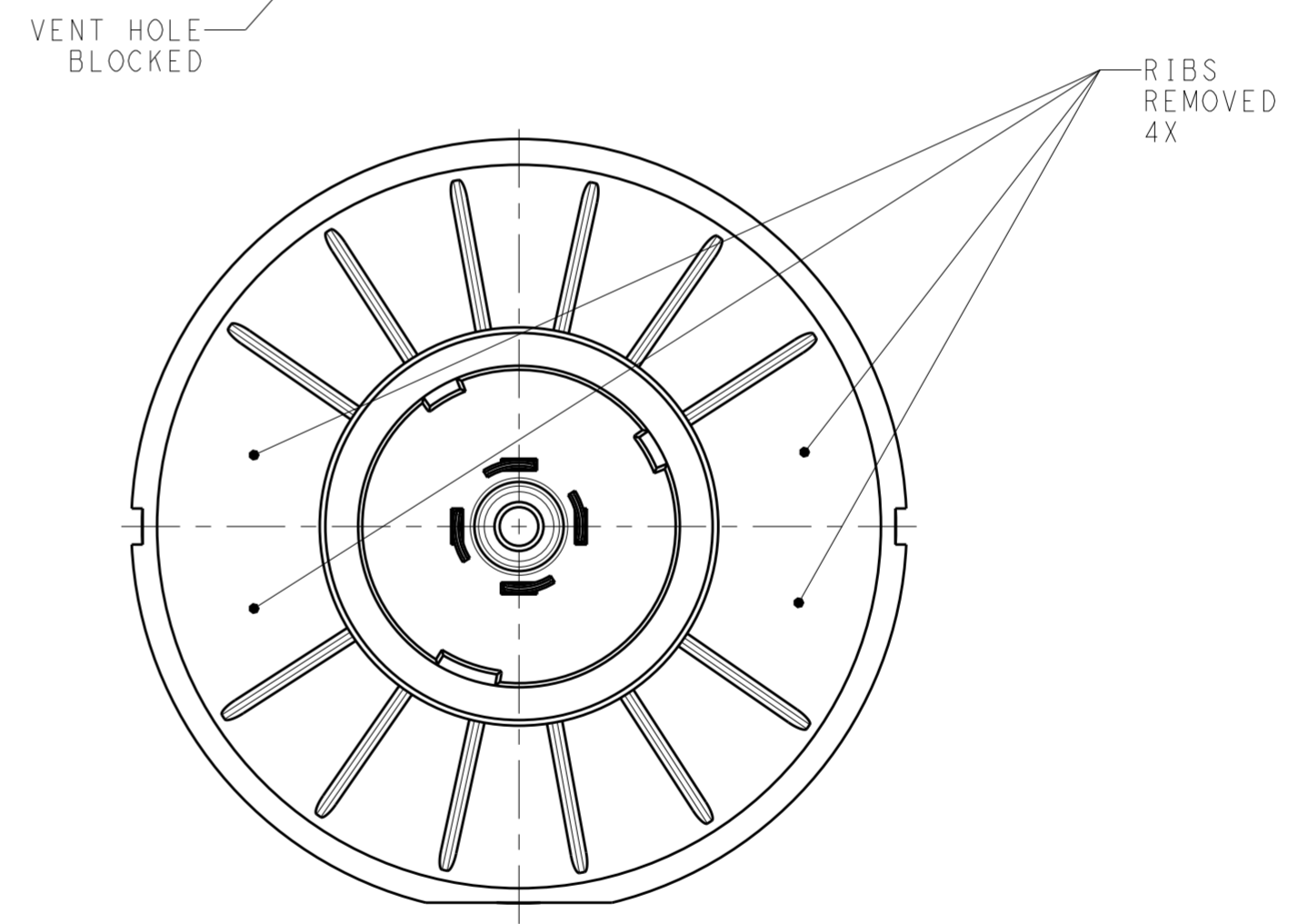
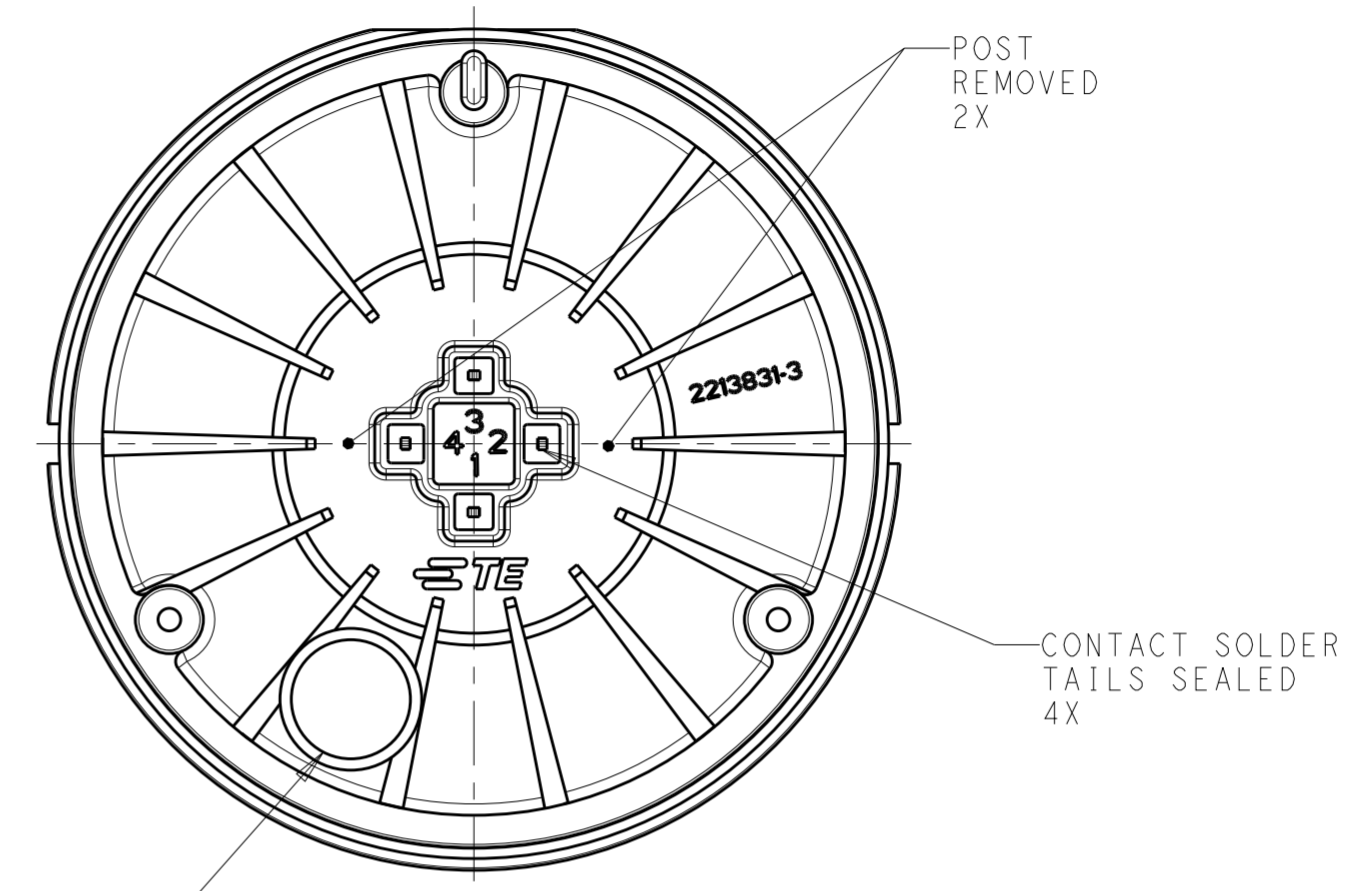
DIMENSIONS:		TOLERANCES UNLESS OTHERWISE SPECIFIED:		DWN		CHK		APVD		NAME	
mm		0 PLC	±	C. DAILY	05APR2016	E. HOWARD	05APR2016			TE Connectivity	
		1 PLC	±0.2	PRODUCT SPEC		108-133073		MODULE BASE ASSEMBLY, LUMAWISE ENDURANCE S		80mm DIAMETER	
		2 PLC	±0.15	APPLICATION SPEC		114-133074		SIZE		CAGE CODE	
		3 PLC	±	WEIGHT		-		A2		G-2213831	
		4 PLC	±	CUSTOMER DRAWING		SCALE		2:1		SHEET	
		ANGLES	±1							1 OF 3	
		FINISH	-							REV	
			-							A	
		SEE NOTES	-								

THIS DRAWING IS UNPUBLISHED. RELEASED FOR PUBLICATION 20  
 © COPYRIGHT 20 BY - ALL RIGHTS RESERVED.

REVISIONS				
P	LTR	DESCRIPTION	DATE	APVD
-		SEE SHEET 1	-	-



2213831-2 SHOWN  
 SAME AS  
 2213831-1 EXCEPT AS SHOWN

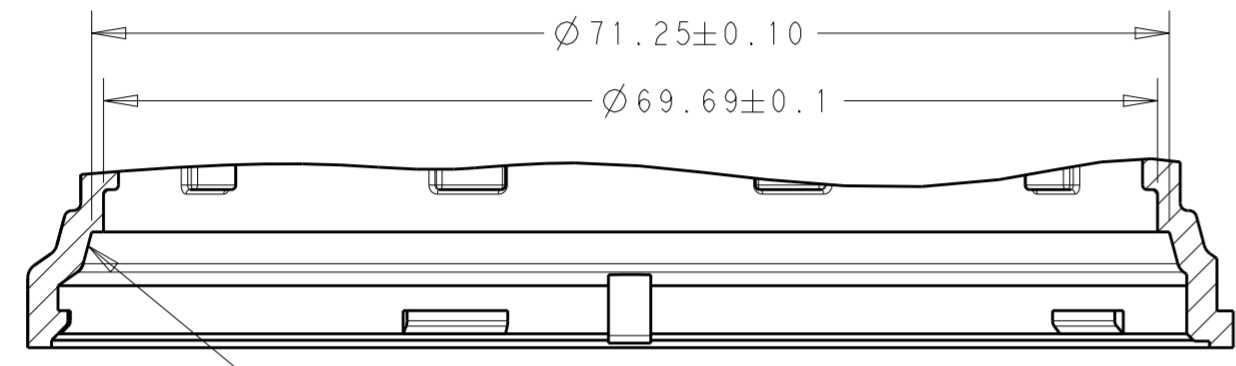
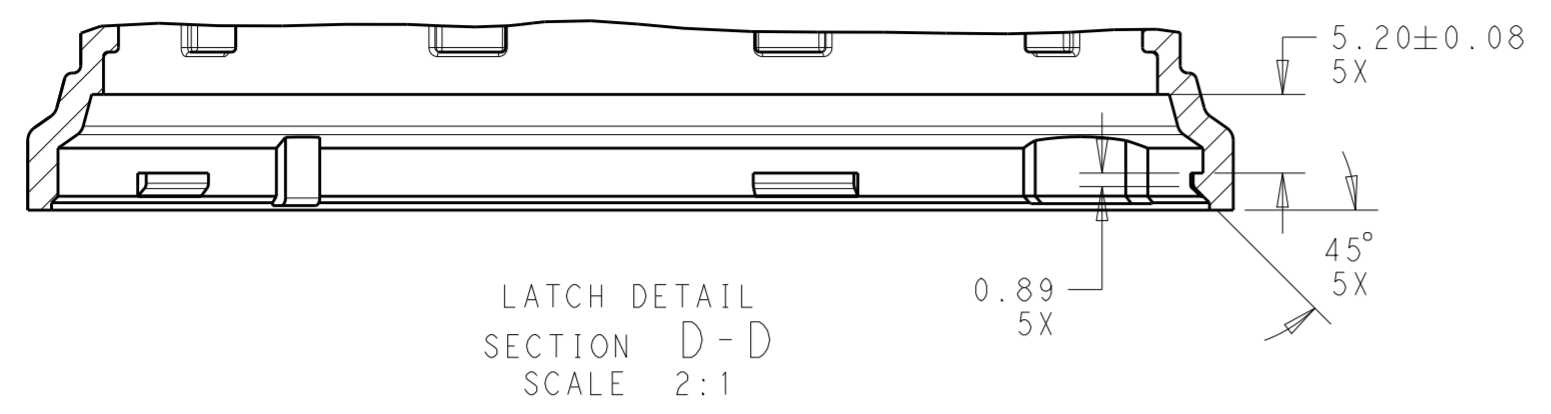


2213831-3 SHOWN  
 SAME AS  
 2213831-1 EXCEPT AS SHOWN

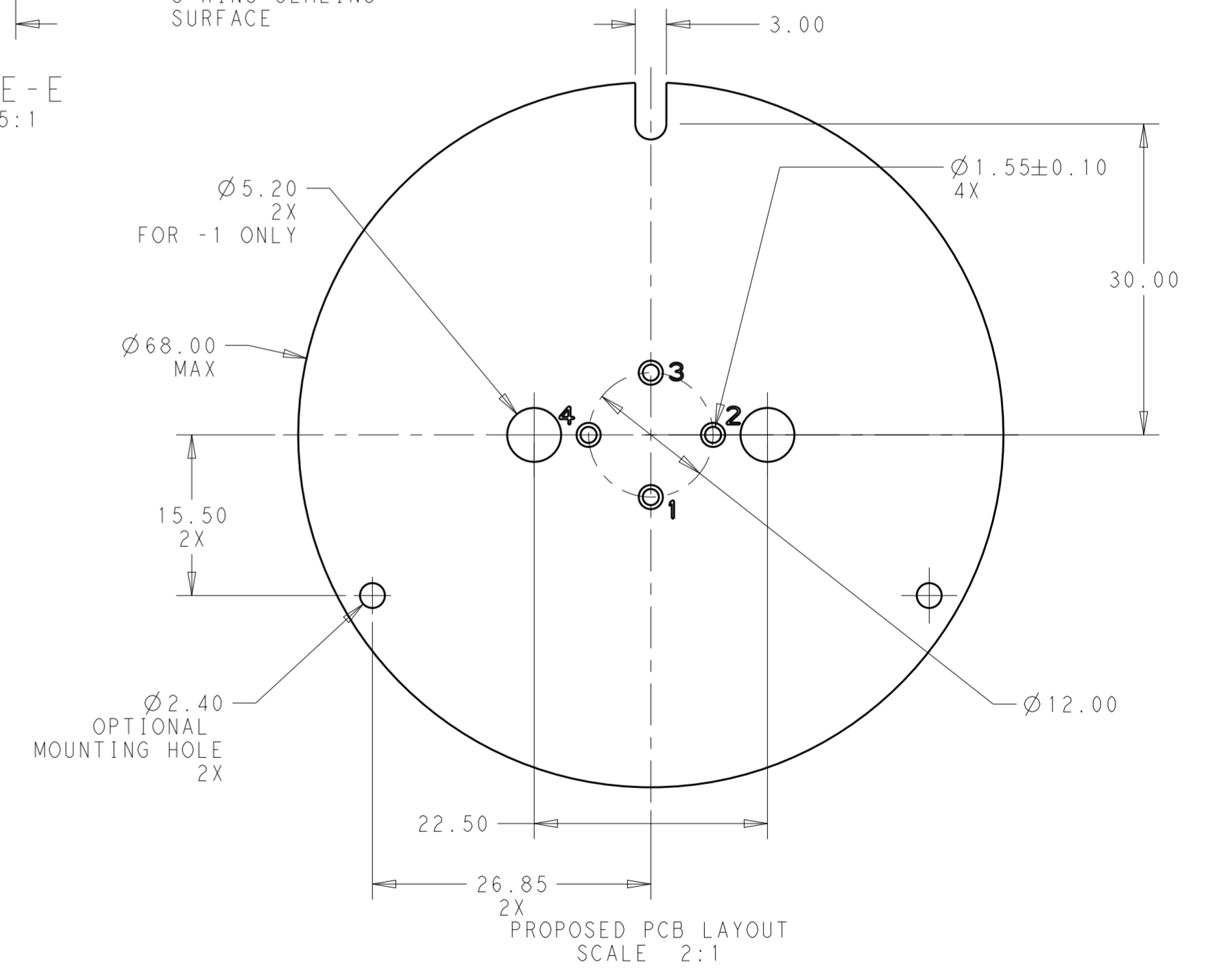
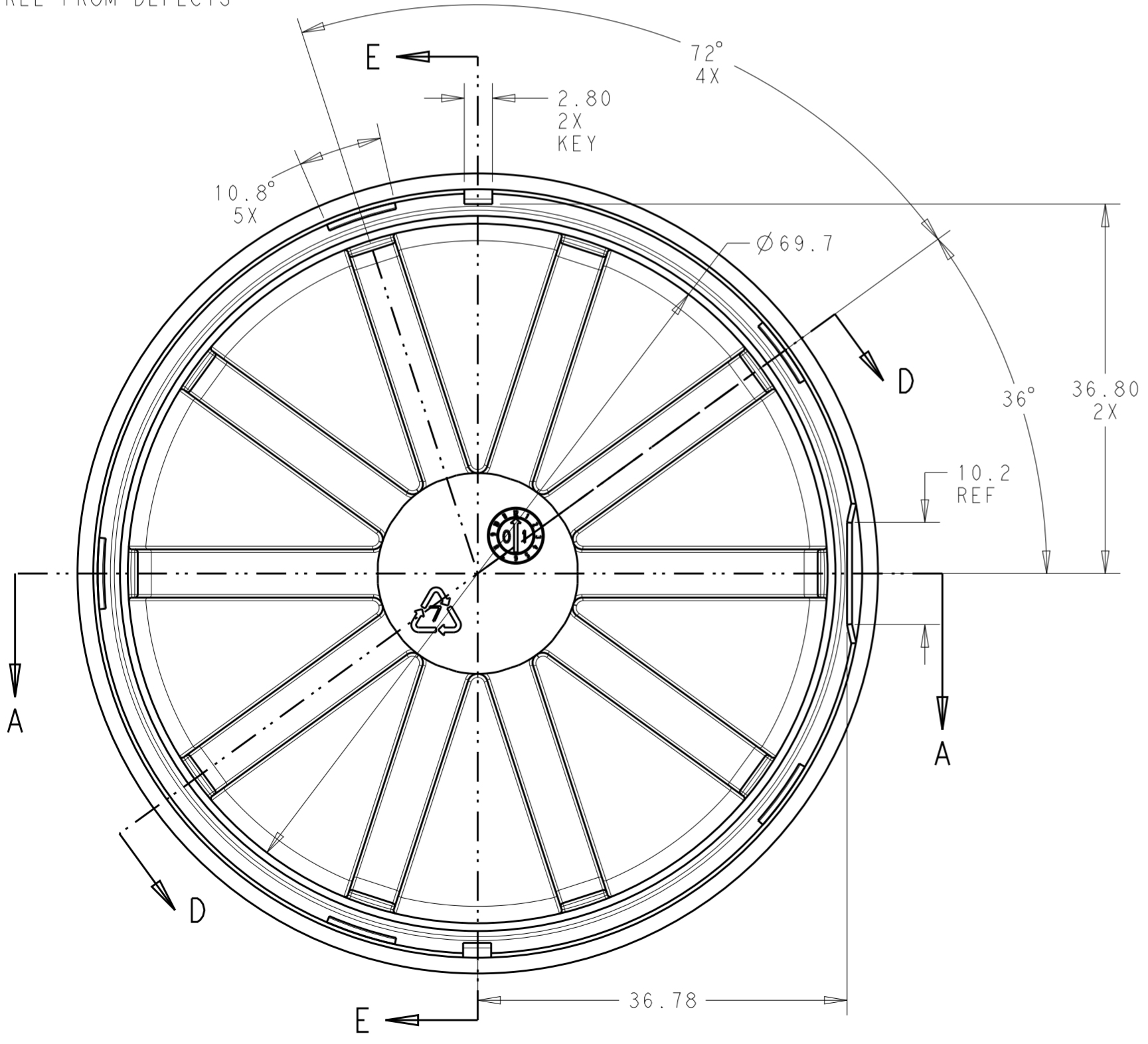
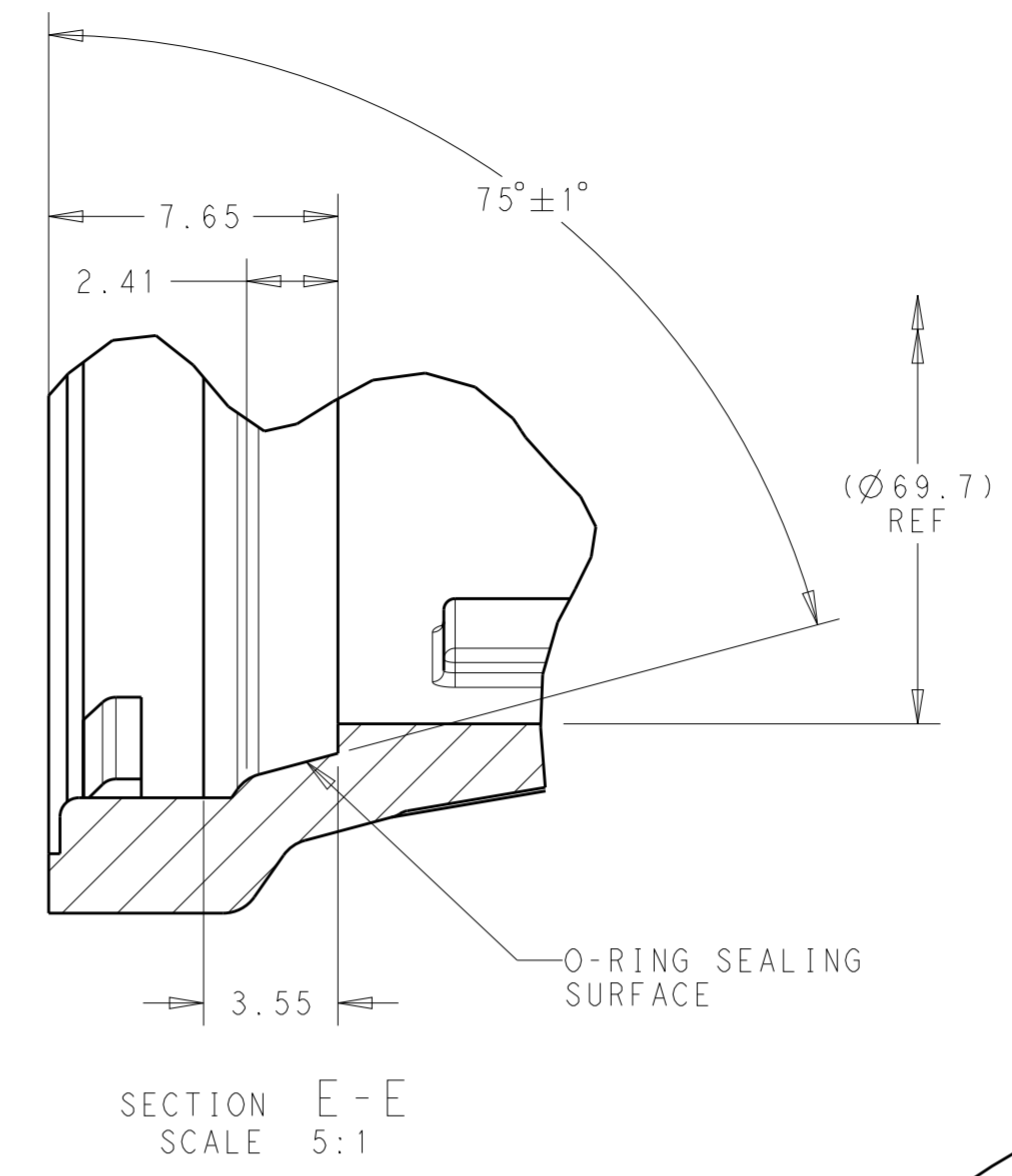
THIS DRAWING IS A CONTROLLED DOCUMENT.		DWN C. DAILY 05APR2016	<b>STE</b> TE Connectivity															
		CHK E. HOWARD 05APR2016																
DIMENSIONS: mm		TOLERANCES UNLESS OTHERWISE SPECIFIED:		APVD -														
<table border="1"> <tr><td>0 PLC</td><td>±</td></tr> <tr><td>1 PLC</td><td>±0.2</td></tr> <tr><td>2 PLC</td><td>±0.15</td></tr> <tr><td>3 PLC</td><td>±</td></tr> <tr><td>4 PLC</td><td>±</td></tr> <tr><td>ANGLES</td><td>±1</td></tr> <tr><td>FINISH</td><td>-</td></tr> </table>		0 PLC	±	1 PLC	±0.2	2 PLC	±0.15	3 PLC	±	4 PLC	±	ANGLES	±1	FINISH	-	PRODUCT SPEC 108-133073	NAME MODULE BASE ASSEMBLY, LUMAWISE ENDURANCE S 80mm DIAMETER	
0 PLC	±																	
1 PLC	±0.2																	
2 PLC	±0.15																	
3 PLC	±																	
4 PLC	±																	
ANGLES	±1																	
FINISH	-																	
MATERIAL - SEE NOTES		APPLICATION SPEC 114-133074	SIZE A2	RESTRICTED TO -														
		WEIGHT -	CAGE CODE -	DRAWING NO. G-2213831														
		CUSTOMER DRAWING	SCALE 2:1	SHEET 2 OF 3 REV A														

THIS DRAWING IS UNPUBLISHED. RELEASED FOR PUBLICATION 20  
 © COPYRIGHT 20 BY - ALL RIGHTS RESERVED.

REVISIONS				
P	LTR	DESCRIPTION	DATE	APVD
-	-	SEE SHEET 1	-	-



O-RING SEALING SURFACE;  
MUST BE SMOOTH AND  
FREE FROM DEFECTS



THIS DRAWING IS A CONTROLLED DOCUMENT.		DWN C. DAILY 05APR2016	TE Connectivity	
		CHK E. HOWARD 05APR2016		
DIMENSIONS: mm		TOLERANCES UNLESS OTHERWISE SPECIFIED:		APVD -
		0 PLC ±	1 PLC ±0.2	PRODUCT SPEC 108-133073
		2 PLC ±0.15	3 PLC ±	APPLICATION SPEC 114-133074
		4 PLC ±	ANGLES ±1	WEIGHT -
MATERIAL -		FINISH -		SIZE A2
SEE NOTES		CUSTOMER DRAWING		CAGE CODE G-2213831
		SCALE 2:1		RESTRICTED TO -
		SHEET 3 OF 3		REV A