

THIS DRAWING IS UNPUBLISHED. RELEASED FOR PUBLICATION
 © COPYRIGHT copyright.d8Te- ALL RIGHTS RESERVED.

REVISIONS				
P	LTR	DESCRIPTION	DATE	APVD
A		INITIAL RELEASE	12JUN2018	TF CW

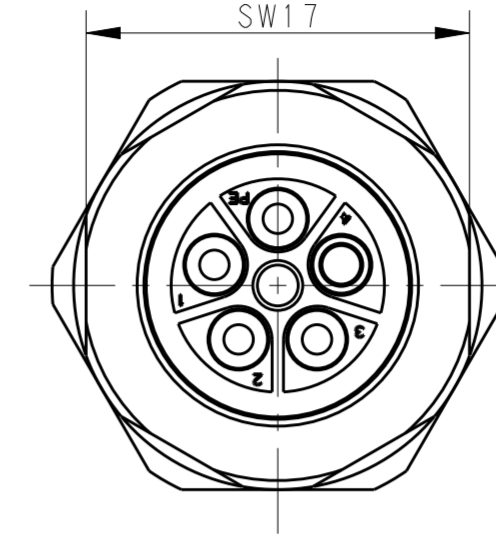
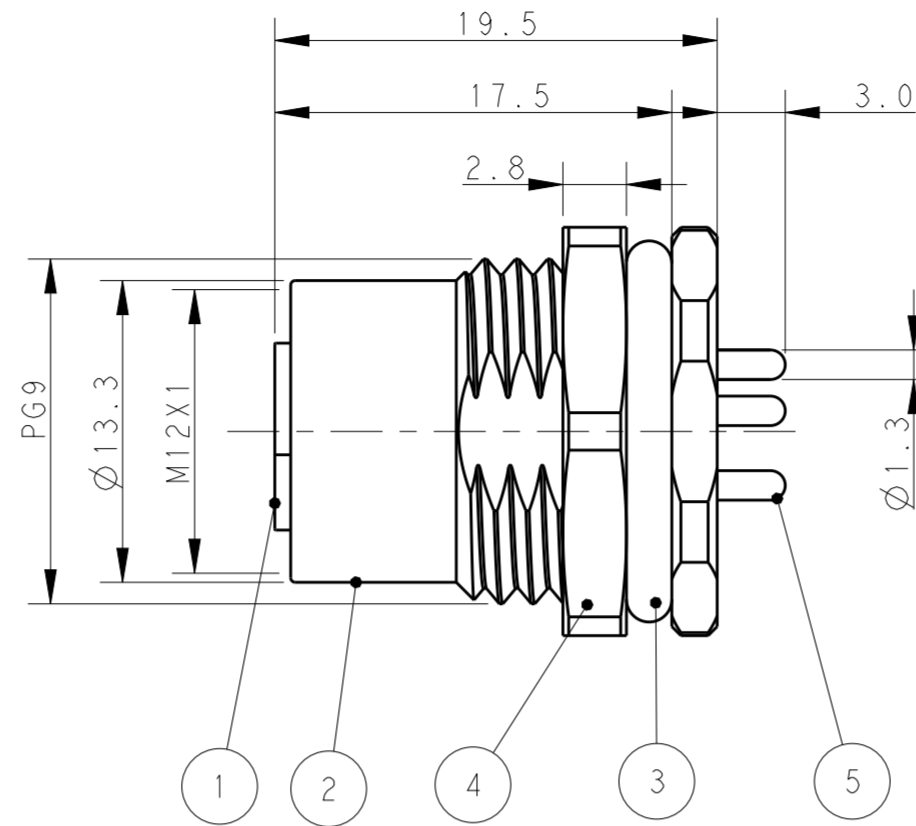
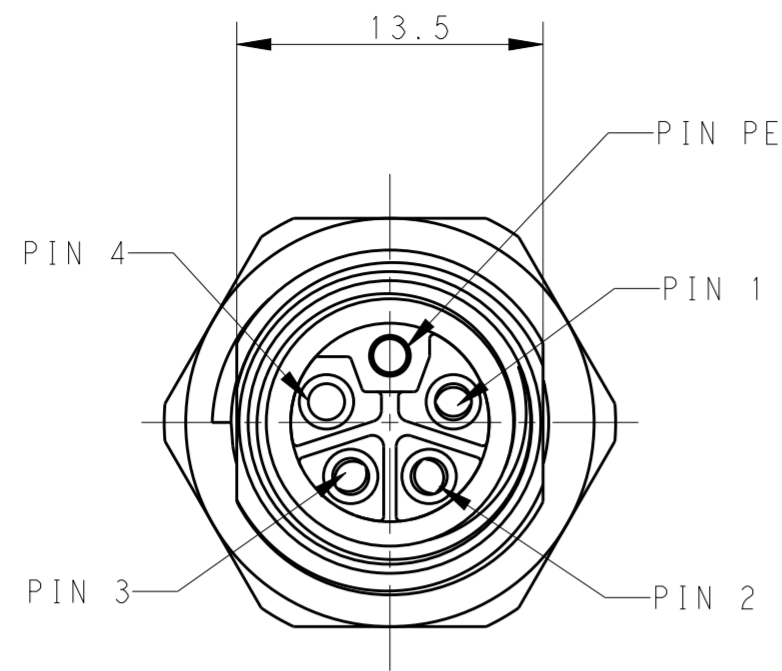
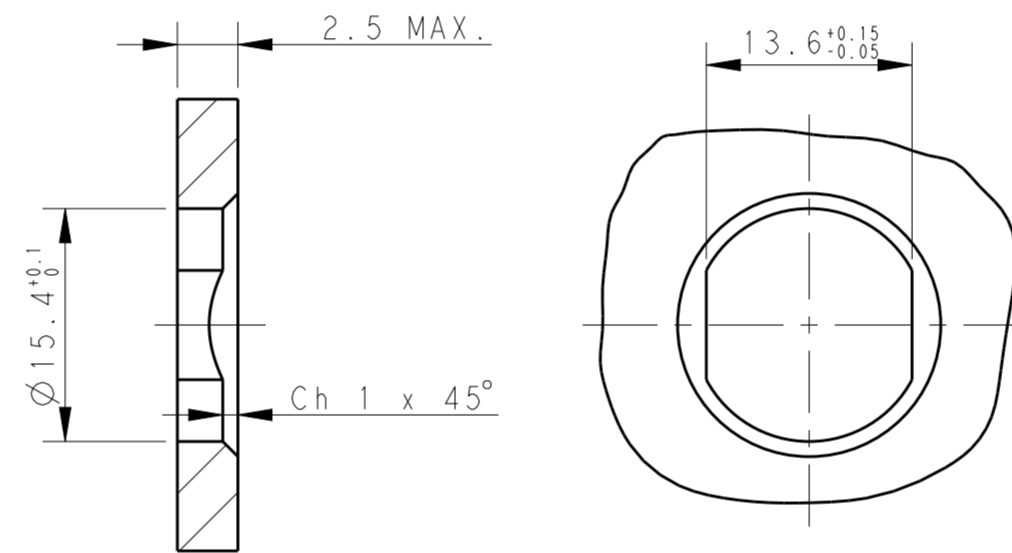


TABLE 1

TECHNICAL DATA	T4141L12051-000	T4141L12041-000	T4141L12031-000
RATED VOLTAGE	63V	63V	63V
RATED CURRENT	16A	16A	16A
POLLITION DEGREE	3	3	3
OVERVOLTAGE CATEGORY	IV	IV	IV
MATERIAL GROUP	IIIb	IIIb	IIIb
CONTACT RESISTANCE	≤5mΩ	≤5mΩ	≤5mΩ
INSULATION RESISTANCE	>100MΩ	>100MΩ	>100MΩ
DEGREE OF PROTECTION	IP67	IP67	IP67
OPERATION TEMPEATURE	-40~85°C	-40~85°C	-40~85°C

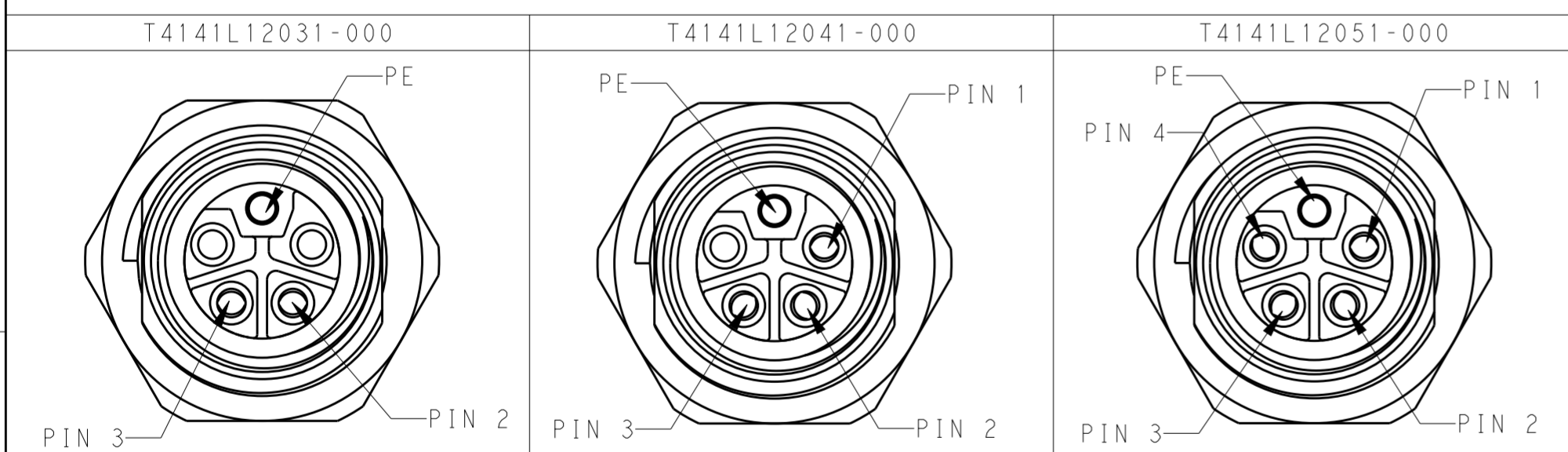


RECOMMENDED PANEL CUTOUT

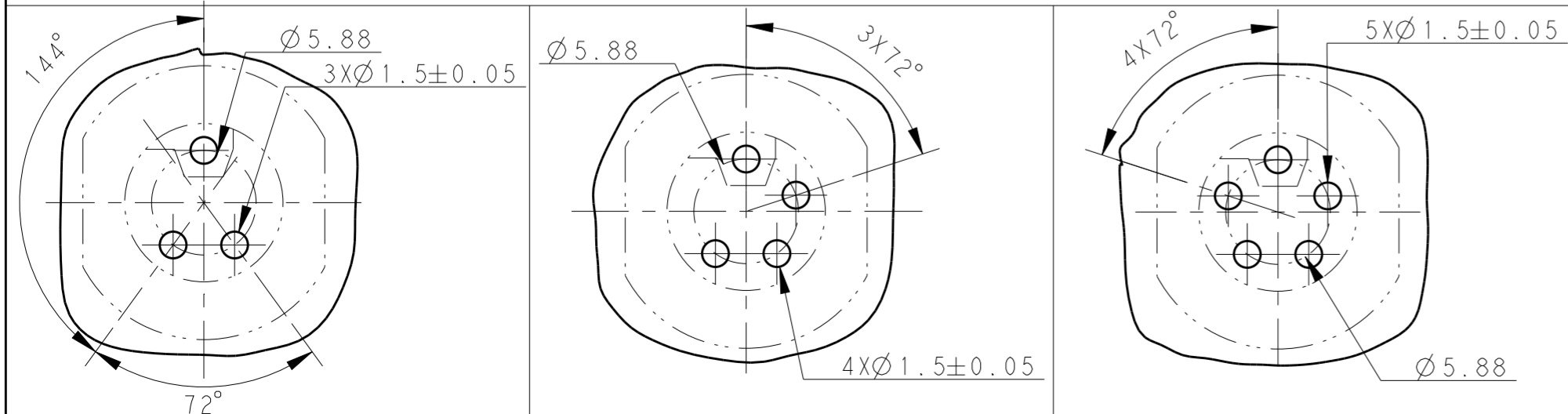
- NOTE:
1. TECHNICAL DATA: SEE TABLE 1
 2. RECOMMENDED PANEL CUTOUT AND PCB LAYOUT SEE DETAIL
 3. PRODUCT COMPLIES WITH IEC61076-2-111
 4. PLASTIC INERT MATERIAL: UL LISTED WITH UL94V0 FLAME RATING
 5. ALL MATERIALS TO BE ROHS COMPLIANT
 6. ALL MATERIALS TO BE REACH COMPLIANT
 7. PACKAGING: 1 PIECE IN A BAG
 8. ALL DIMENSIONS ARE FOR NOMINAL REFERENCE ONLY UNLESS OTHERWISE STATED

- 注释:
1. 技术参数, 见表1
 2. 推荐面板及PCB开孔尺寸详见如图所示
 3. 产品符合标准 IEC61076-2-111
 4. 塑胶材料符合UL标准, UL-94V0阻燃等级
 5. 所有材料符合ROHS参照标准TEC-138-705
 6. 所有材料符合REACH参照标准TEC-138-705
 7. 包装: 1PCS/袋
 8. 所有尺寸仅供参考, 除非另有说明

PIN ARRANGEMENT L-CODE



RECOMMENDED DRILLING DIAGRAM



TYPE	POS.	PART NUMBER
RPC-M12L-FF-3CON-PG9-LBU	3	T4141L12031-000
RPC-M12L-FF-4CON-PG9-LBU	4	T4141L12041-000
RPC-M12L-FF-5CON-PG9-LBU	5	T4141L12051-000

GOLD PLATED	COPPER ALLOY	CONTACT	5
NICKEL PLATED	COPPER ALLOY	METAL NUT	4
-	-	O-RING	3
NICKEL PLATED	COPPER ALLOY	M12, FEMALE, METAL BODY	2
-	LCP	M12, FEMALE HSG	1
OTHERS	MATERIAL	DESCRIPTION	ITEM

THIS DRAWING IS A CONTROLLED DOCUMENT.

DWN: TONY FAN 12JUN2018
 CHK: GINO YAO 12JUN2018
 APVD: CHRIS WANG 12JUN2018

STE TE Connectivity

NAME: M12 PANEL MOUNT CONNECTOR L CODE, FEMALE, REAR MOUNT, PCB SOLDERING

PRODUCT SPEC: 108-137350
 APPLICATION SPEC: 114-137144

SIZE: A2 CAGE CODE: 00779 DRAWING NO: T4141L120X1000 RESTRICTED TO: A

MATERIAL: - TOLERANCES UNLESS OTHERWISE SPECIFIED: 0 PLC ±, 1 PLC ±, 2 PLC ±, 3 PLC ±, 4 PLC ±, ANGLES ±, FINISH -

WEIGHT: -

CUSTOMER DRAWING SCALE: 3:1 SHEET: 1 OF 1 REV: A