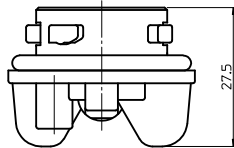
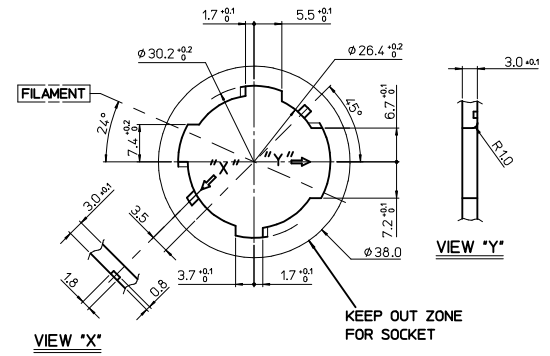
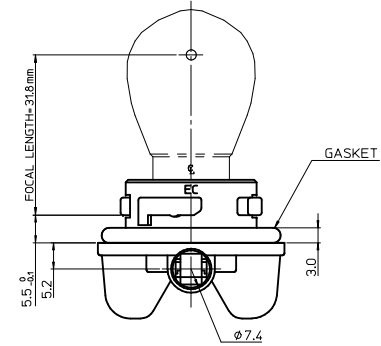
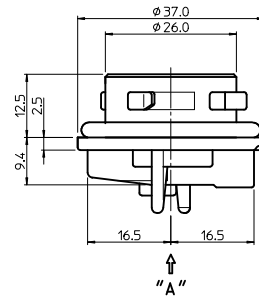
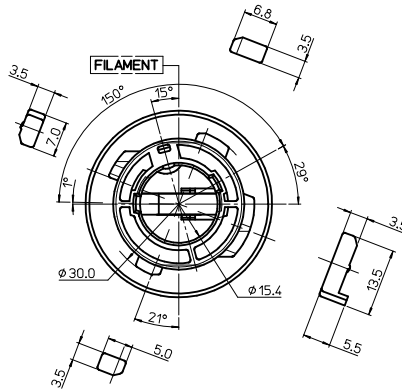
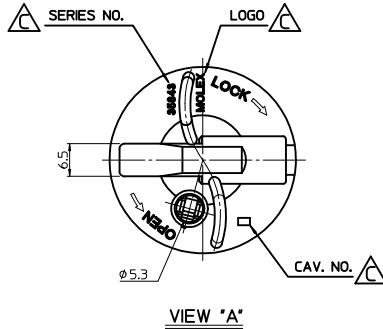


- NOTES
 1. FOCAL LENGTH =31.8mm
 2. PRODUCT SPECIFICATION: PS-35842-001
 3. APPLICABLE BULB CAP: PY21W(BAU15s)
 4. MATES WITH

<PART LIST>

NO.	DESCRIPTION	MATERIAL	USAGE	REMARK
①	SINGLE SOCKET	PA66 M/F	1	EC TYPE
②	SEAL GASKET	SILICONE	1	BLUE

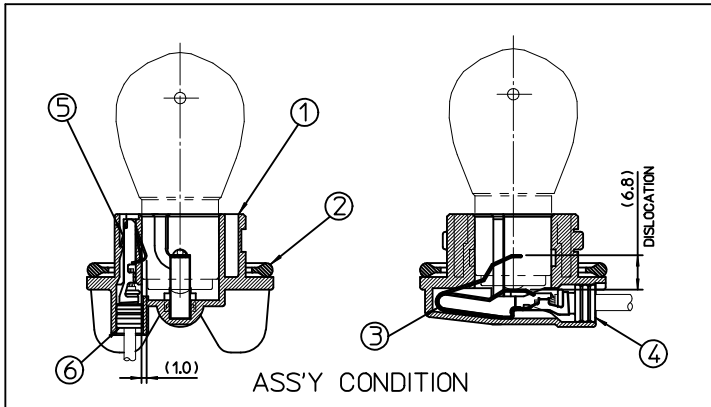
NO.	DESCRIPTION	MATERIAL	ORDER NO.	REMARK
③	POSITIVE TERMINAL	PHOSPHOR BRONZE	35464-8000	UNPLATED
④	POSITIVE WIRE SEAL	SILICONE	35903-0096	BROWN
⑤	EARTH TERMINAL	PHOSPHOR BRONZE	35465-8000	UNPLATED
⑥	EARTH WIRE SEAL	SILICONE	35903-0106	BLUE



<TABLE 1>

MATERIAL NO.	ORDER NO.	COLOR
358432236	35843-2236	WHITE
358432235	35843-2235	GRAY

MOUNTING INTERFACE
(MI-1)



REVISED, ADDED PART EC NO: KOR2011-0019 DRW: EOKIM 2010/08/23 CHK: BCY00N 2010/08/31 APPR: YUNSIKKIM 2010/08/31	QUALITY SYMBOLS ▽=0 ◻=0	GENERAL TOLERANCES (UNLESS SPECIFIED) mm INCH 4 PLACES ± --- ± --- 3 PLACES ± --- ± --- 2 PLACES ± 0.15 ± --- 1 PLACE ± 0.25 ± --- ANGULAR ± 2°	DIMENSION STYLE MM ONLY	SCALE 1:1	DESIGN UNITS METRIC	THIRD ANGLE PROJECTION	
	DRAWN BY EOKIM	DATE 2007/10/08	TITLE SEALED BULB SOCKET SINGLE HSG ASS'Y-EC TYPE (SILICONE GASKET TYPE)	MOLEX INCORPORATED			
	CHECKED BY BCY00N	DATE 2007/10/08	APPROVED BY EHJUNG				
	MATERIAL NO. SEE TABLE 1	DOCUMENT NO. SD-35843-223	SHEET NO. 1 OF 1	THIS DRAWING CONTAINS INFORMATION THAT IS PROPRIETARY TO MOLEX INCORPORATED AND SHOULD NOT BE USED WITHOUT WRITTEN PERMISSION			