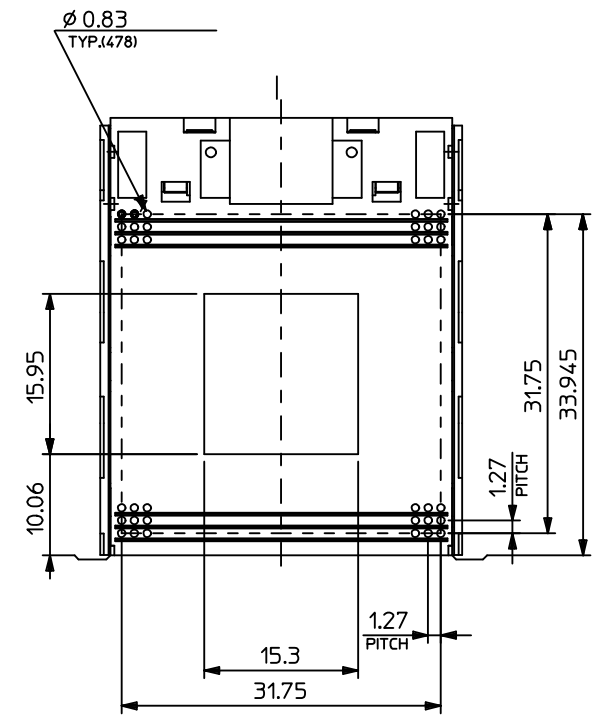
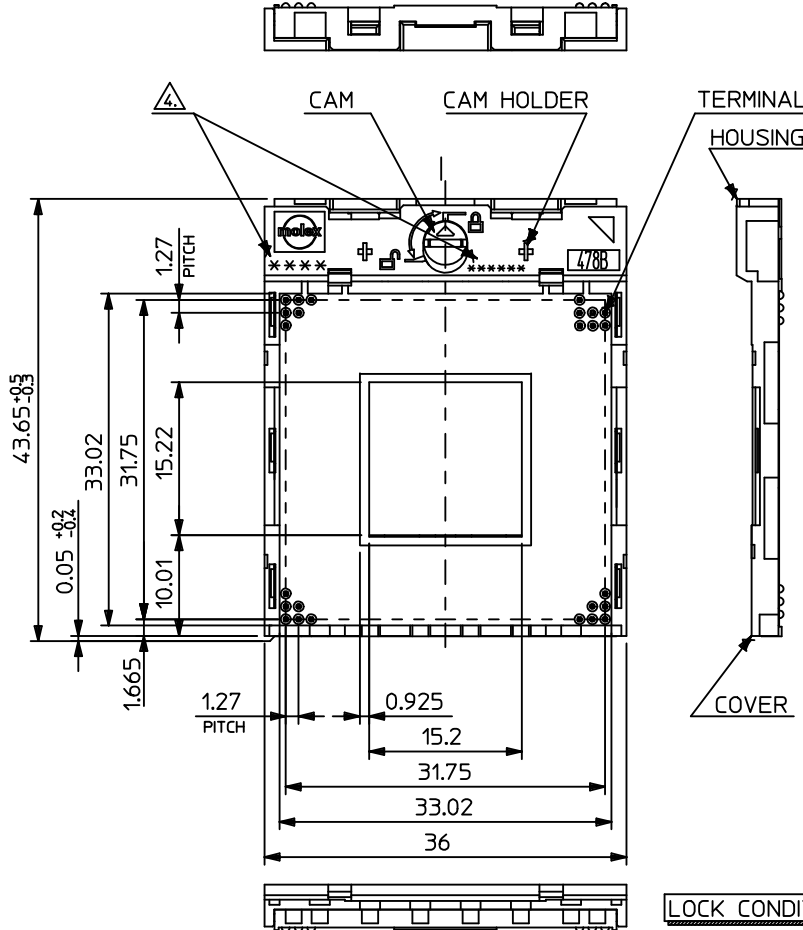
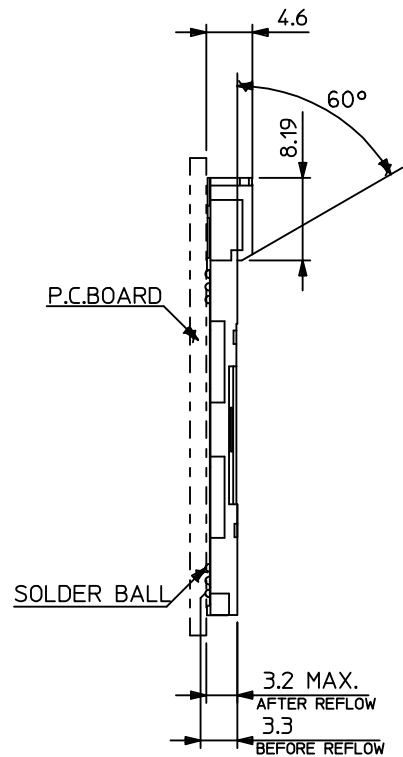


10 9 8 7 6 5 4 3 2 1

F
E
D
C
B
A



LOCK CONDITION

478	LEAD-FREE	51248-0478
479	LEAD-FREE	51248-0479
CIRCUITS	TYPE	PART NUMBER

REVISED
EC NO: SH2009-0765
DRAWN: ZHANG11 2009/06/19
CHKD: 2009/06/19
APPR: HWANG 2009/10/29

QUALITY SYMBOLS
▽=0
◻=0

GENERAL TOLERANCES (UNLESS SPECIFIED)

	mm	INCH
4 PLACES	± ---	± ---
3 PLACES	± ---	± ---
2 PLACES	± 0.20	± ---
1 PLACE	± 0.25	± ---
ANGULAR ± 2 °		

DRAFT WHERE APPLICABLE
MUST REMAIN
WITHIN DIMENSIONS

DIMENSION STYLE
MM ONLY

DRAWN BY: AYIN
DATE: 2004/06/20

CHECKED BY: JCHIANG
DATE: 2004/06/20

APPROVED BY: VYAP
DATE: 2004/06/20

MATERIAL NO.
SEE CHART

SCALE
1:1

DESIGN UNITS
METRIC

THIRD ANGLE PROJECTION

TITLE
MPGA478/479 SOCKET WITH MYLAR TAPE TAPING PACKAGE

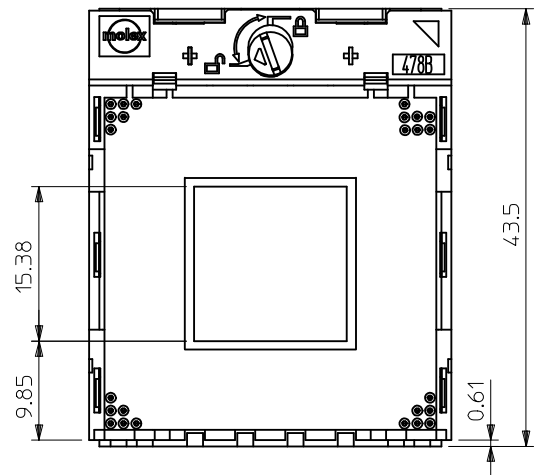
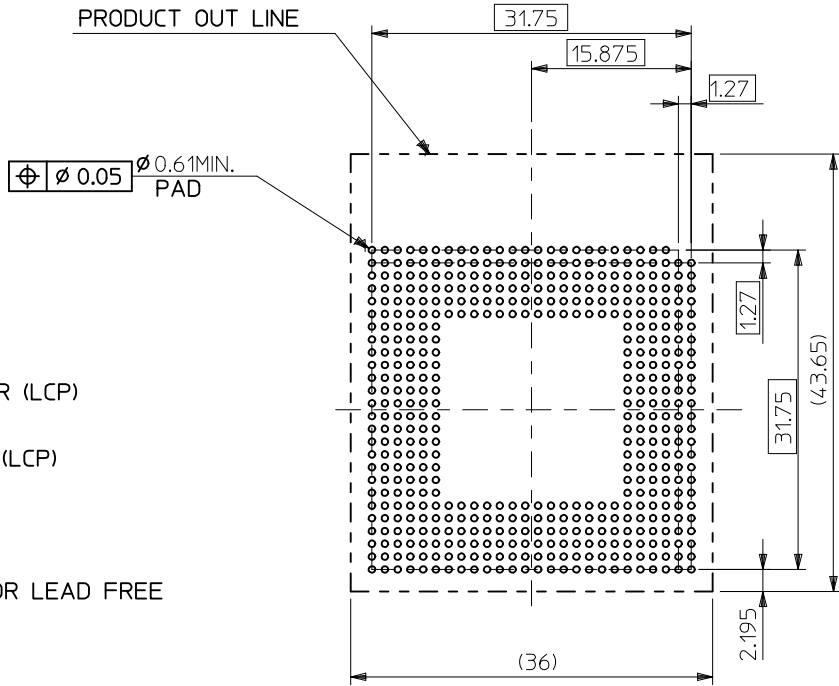
MOLEX INCORPORATED

DOCUMENT NO.
SD-51248-009

SHEET NO.
1 OF 3

THIS DRAWING CONTAINS INFORMATION THAT IS PROPRIETARY TO MOLEX INCORPORATED AND SHOULD NOT BE USED WITHOUT WRITTEN PERMISSION

9 8 7 6 5 4 3 2 1



RECOMMENDED P.C. BOARD LAYOUT

NOTES:

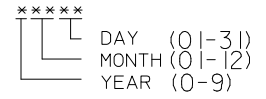
- 1.MATERIAL
 - HOUSING:LIQUID CRYSTAL POLYMER (LCP)
UL94V-0,COLOUR BLACK
 - COVER:LIQUID CRYSTAL POLYMER (LCP)
UL94V-0,COLOUR WHITE
 - CONTACT:COPPER ALLOY
 - SOLDER BALL:
Sn-Ag-Cu,Ø0.76mm FOR LEAD FREE
 - CAM:STAINLESS STEEL
 - CAM HOLDER:STAINLESS STEEL

PLATING

- CONTACT AREA:GOLD 0.25MICROMETER MIN.
- UNDER PLATING:NICKEL 1.5MICROMETER MIN.

3.SOLDER BALL COPLANARITY:0.2MAX.

4.DATE CODE



NONE:
LF:LEAD-FREE SOCKET

- 5.PRODUCT SPECIFICATION
LEAD FREE TYPE:REFER TO PS-51248-020
- 6.PACKAGE DRAWING REFER TO PK-500161-002

REVISED IEC NO: SH2009-0765 T1 DRWN: JZHANG11 2009/06/19 CH/KD: 2009/06/19 APPR: HWANG 2009/10/29	QUALITY SYMBOLS	GENERAL TOLERANCES (UNLESS SPECIFIED)		DIMENSION STYLE	SCALE	DESIGN UNITS	THIRD ANGLE PROJECTION	
	▽=0 ▽=0	mm	INCH	MM ONLY	1:1	METRIC		
		4 PLACES ± --- ± ---		DRAWN BY DATE	TITLE MPGA478/479 SOCKET WITH MYLAR TAPE TAPING PACKAGE			
		3 PLACES ± --- ± ---		AYIN 2004/06/20				
	2 PLACES ± 0.20 ± ---		CHECKED BY DATE	MOLEX INCORPORATED				
	1 PLACE ± 0.25 ± ---		JCHIANG 2004/06/20					
	ANGULAR ± 2 °	DRAFT WHERE APPLICABLE MUST REMAIN WITHIN DIMENSIONS		APPROVED BY DATE	DOCUMENT NO.		SHEET NO.	
				VYAP 2004/06/20	SD-51248-009		2 OF 3	
				MATERIAL NO.	THIS DRAWING CONTAINS INFORMATION THAT IS PROPRIETARY TO MOLEX INCORPORATED AND SHOULD NOT BE USED WITHOUT WRITTEN PERMISSION			
				SEE SHEET 1				

10 9 8 7 6 5 4 3 2 1

F

E

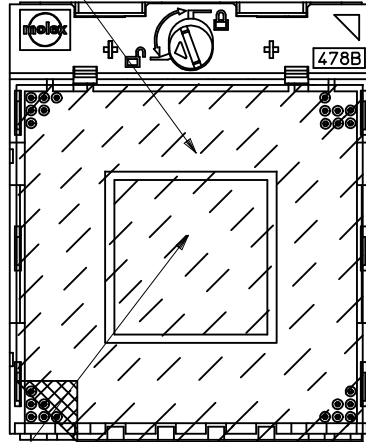
D

C

B

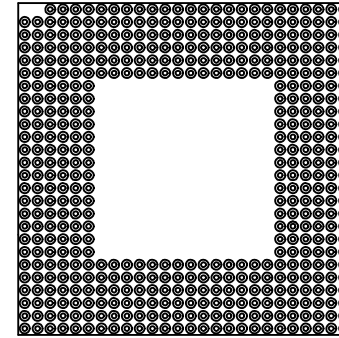
A

MYLAR TAPE



VACUUM AREA

AT PACKAGED (WITH ATTACHMENT COVER)



USING INTERPOSER (PIN SIDE VIEW)

REVISED EC NO: SH2009-0765 T DRWN: ZHANG11 2009/06/19 CHKD: 2009/06/19 APPR: HWANG 2009/10/29	DESCRIPTION REV	QUALITY SYMBOLS ▽=0 ◻=0	GENERAL TOLERANCES (UNLESS SPECIFIED)		DIMENSION STYLE MM ONLY		SCALE 1:1	DESIGN UNITS METRIC	THIRD ANGLE PROJECTION		
			4 PLACES ± --- ± --- 3 PLACES ± --- ± --- 2 PLACES ± 0.20 ± --- 1 PLACE ± 0.25 ± ---	mm INCH ± --- ± --- ± 0.20 ± --- ± 0.25 ± ---	DRAWN BY AYIN	DATE 2004/06/20	TITLE MPGA478/479 SOCKET WITH MYLAR TAPE TAPING PACKAGE				
			ANGULAR ± 2 °	CHECKED BY JCHIANG	DATE 2004/06/20	MOLEX INCORPORATED					
			DRAFT WHERE APPLICABLE MUST REMAIN WITHIN DIMENSIONS	APPROVED BY VYAP	DATE 2004/06/20	MATERIAL NO. SEE SHEET 1	DOCUMENT NO. SD-51248-009	SHEET NO. 3 OF 3			

9 8 7 6 5 4 3 2 1