

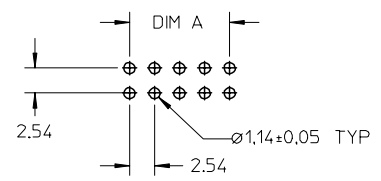
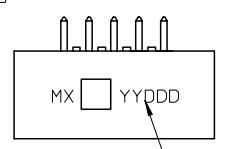
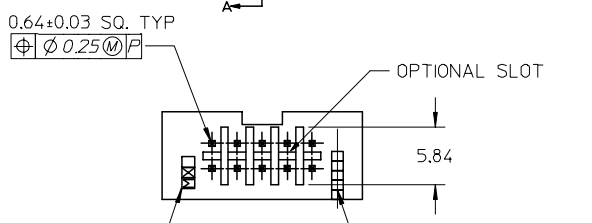
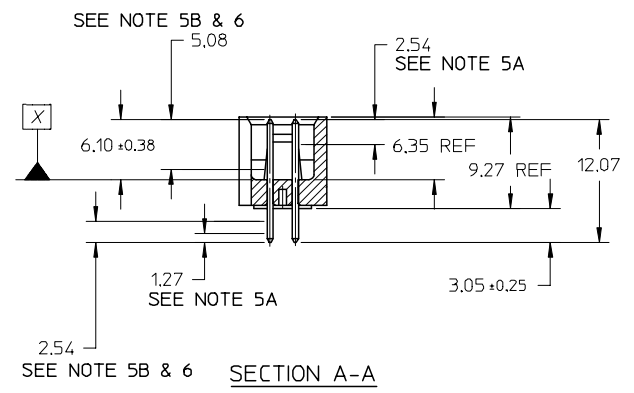
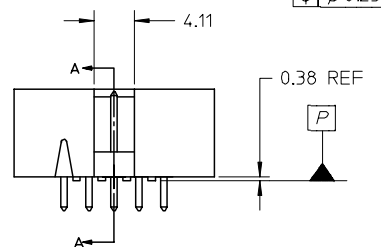
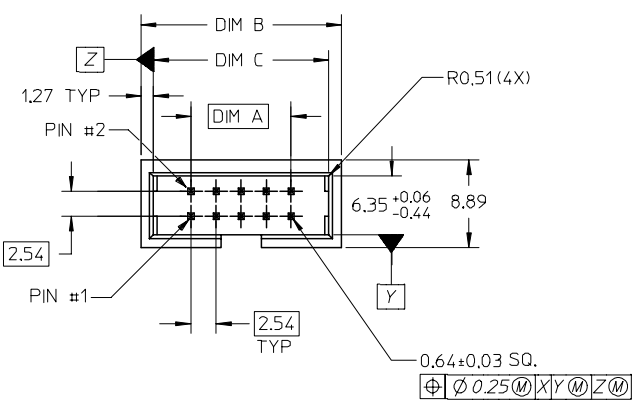
ASSEMBLY P/N	CKT SIZE	DIM A	DIM B	DIM C
87834-0495	04	2.54	12.70	10.16
87834-0695	06	5.08	15.24	12.70
87834-0895	08	7.62	17.78	15.24
87834-1095	10	10.16	20.32	17.78
87834-1295	12	12.70	22.86	20.32
87834-1495	14	15.24	25.40	22.86
87834-1695	16	17.78	27.94	25.40
87834-2095	20	22.86	33.02	30.48
87834-2495	24	27.94	38.10	35.56
87834-2695	26	30.48	40.64	38.10
87834-3095	30	35.56	45.72	43.18
87834-3495	34	40.64	50.80	48.26
87834-4095	40	48.26	58.42	55.88
87834-4495	44	53.34	63.50	60.96
87834-5095	50	60.96	71.12	68.58
87834-5695	56	68.58	78.74	76.20
87834-6095	60	73.66	83.82	81.28

PART NUMBER LEGEND

87834 - * * * 9 5
 CKT SIZES

NOTES :

- MATERIAL:
HOUSING: NYLON (PA), UL94V-0, COLOR: NATURAL.
PIN : COPPER ALLOY
- PIN PUSHOUT FORCE 0.91 KG MIN.
- PRODUCT SPECIFICATION PS-70246-100 APPLIES.
- WAFER TO BE FLAT WITHIN 0.03MM/CM
- DIMENSIONS FOR PLATING LOCATIONS :
A - MEASURE POINT FOR THICKNESS,
B - MINIMUM COVERAGE.
- GOLD END OF PIN UNLESS OVERALL PLATED.
- FINISH :
0.05um TO 0.25um GOLD OVER 0.38um MIN PD/NI
IN SELECTED AREA AND 1.90um MIN. TIN IN SELECTED
AREA OVER 1.27um MIN. NICKEL OVERALL.
- FOR ILLUSTRATION PURPOSE A 10 CKT IS SHOWN.
- OPTIONAL LOCATION FOR MANUFACTURER/YEAR/DAY MARKING
IF REQUIRED BY CUSTOMER



HSG LASER MARKING	QUALITY SYMBOLS
EC NO: S2005-0536	▽=0
DRWN: LQIAO 2005/01/26	▽=0
CHKD: PTLIM 2005/01/26	
APPR: SCLLO 2005/01/27	
REV	DESCRIPTION
A2	

GENERAL TOLERANCES (UNLESS SPECIFIED)	
	ANGULAR ± 3 °
PLACES	TOLERANCE
4 PLACES	± ---
3 PLACES	± ---
2 PLACES	± 0.25
1 PLACE	± ---

DIMENSION STYLE	
MM ONLY	
DRAWN BY	DATE
RSHAN	2003/11/21
CHECKED BY	DATE
KCL ING	2003/12/05
APPROVED BY	DATE
SKTOH	2003/12/06
MATERIAL NO.	DOCUMENT NO.
SEE TABLE	SD-87834-026

SCALE	DESIGN UNITS	THIRD ANGLE PROJECTION
NTS	METRIC	
TITLE		
C-GRID, SHROUDED WAFER SLOTTED, W/O END WINDOWS & POLARIZATION PEGS		
MOLEX INCORPORATED		
SHEET NO.		1 OF 1