

DO NOT SCALE FROM THIS PRINT

DESIGNED & DIMENSIONED IN MILLIMETERS [INCHES]

HPTS-4-X-D-VT

XCede POWER MODULE  
 USE WITH XCede SIGNAL MODULE  
 -4: 4 PAIR

ORIENTATION -VT: VERTICAL  
 DUAL ROW  
 PLATING  
 -S: STD GOLD ON CONTACTS  
 MATTE TIN ON TAILS

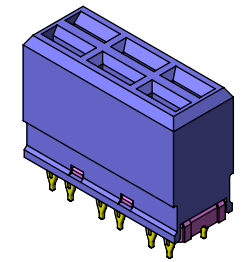
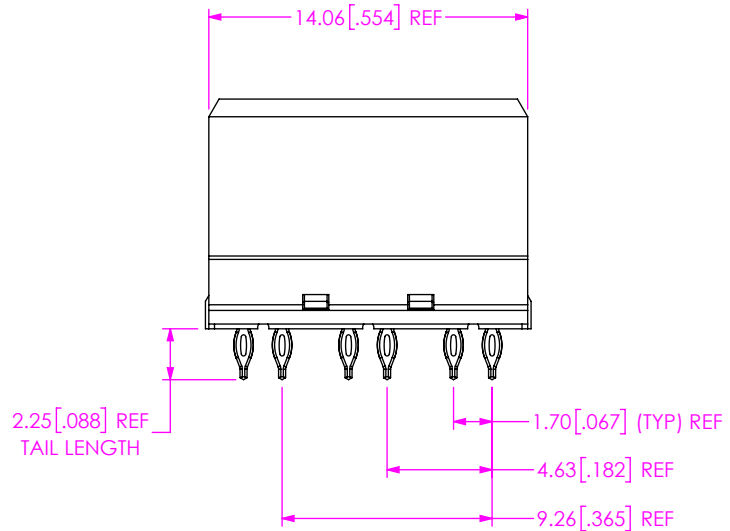
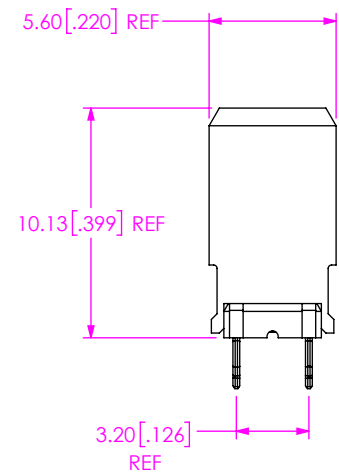
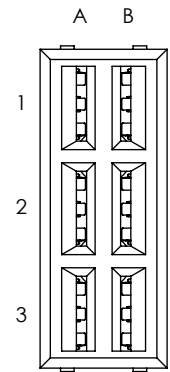


FIG 1  
HPTS-4-X-D-VT SHOWN

- NOTES:
1. TRAYS TO BE STANDARD PACKAGING.
  2. CONTACT SAMTEC FOR CONNECTOR PRESS FIT INSTRUCTIONS AND REQUIRED FIXTURES.

<p>UNLESS OTHERWISE SPECIFIED, DIMENSIONS ARE IN MILLIMETERS.</p>	<p>PROPRIETARY NOTE</p> <p>THIS DOCUMENT CONTAINS CONFIDENTIAL AND PROPRIETARY INFORMATION AND ALL DESIGN, MANUFACTURING, REPRODUCTION, USE, PATENT RIGHTS AND SALES RIGHTS ARE EXPRESSLY RESERVED BY SAMTEC, INC. THIS DOCUMENT SHALL NOT BE DISCLOSED, IN WHOLE OR PART, TO ANY UNAUTHORIZED PERSON OR ENTITY NOR REPRODUCED, TRANSFERRED OR INCORPORATED IN ANY OTHER PROJECT IN ANY MANNER WITHOUT THE EXPRESS WRITTEN CONSENT OF SAMTEC, INC.</p>		<p>520 PARK EAST BLVD., NEW ALBANY, IN 47150                  PHONE: 812-944-6733 FAX: 812-948-5047                  e-Mail info@SAMTEC.com code 55322</p>
	<p>MATERIAL: DO NOT SCALE DRAWING</p> <p>INSULATOR: PPS</p> <p>CONTACTS: CU ALLOY</p>	<p>SHEET SCALE: 4:1</p> <p>DESCRIPTION: XCede 4 PAIR POWER MODULE</p>	
	<p>c:\enterprise\vauf\DWG\MISC\MKTG\HPTS-4-X-D-VT-MKT.SLDDRW</p>	<p>DWG. NO. HPTS-4-X-D-VT</p> <p>BY:KNOWL DEN 02/17/2017 SHEET 1 OF 1</p>	