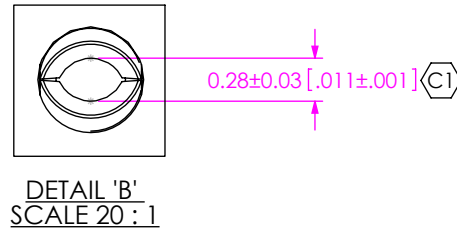
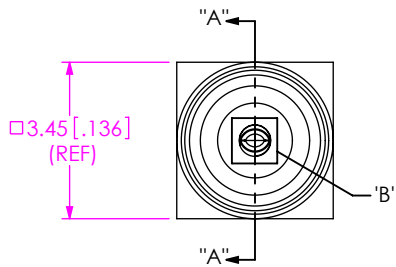


Pb THIS PRODUCT MANUFACTURED WITH LEAD-FREE PROCESSING

DESIGNED & DIMENSIONED IN MILLIMETERS [INCHES]

MMCX-J-P-X-ST-SM1-X-XX

DO NOT SCALE FROM THIS PRINT



GENDER
-J: JACK

TYPE
-P: PCB

PLATING SPECIFICATION
-H: 30μ" GOLD CENTER CONTACT,
3μ" GOLD OUTER CONTACT
(SEE TABLE 1)

OPTION 2
-TR:
TAPE & REEL

OPTION 1
-K:
KAPTON
USE K-DOT-.157-.250-.005
(SEE SHEET 2)

TERMINATION
-SM1: SURFACE MOUNT

ORIENTATION
-ST: STRAIGHT

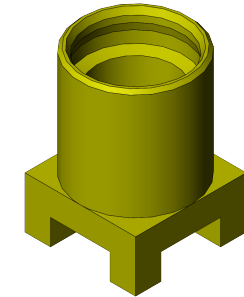
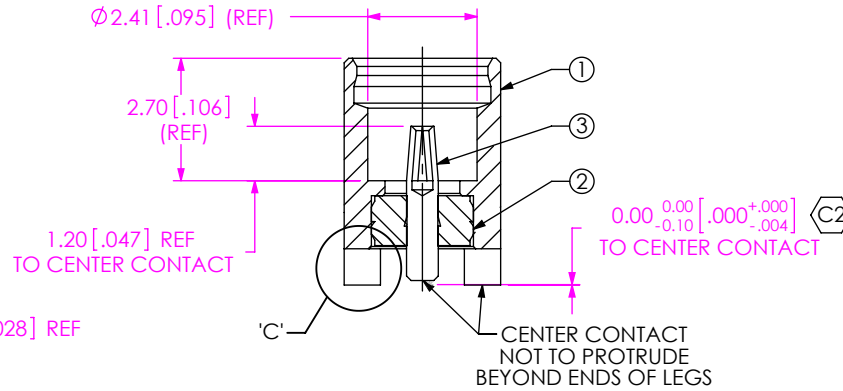
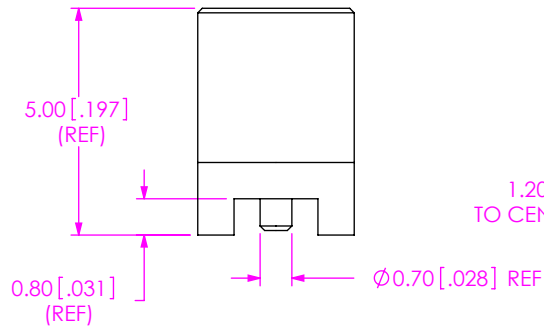


FIG 1
MMCX-J-P-X-ST-SM1 SHOWN

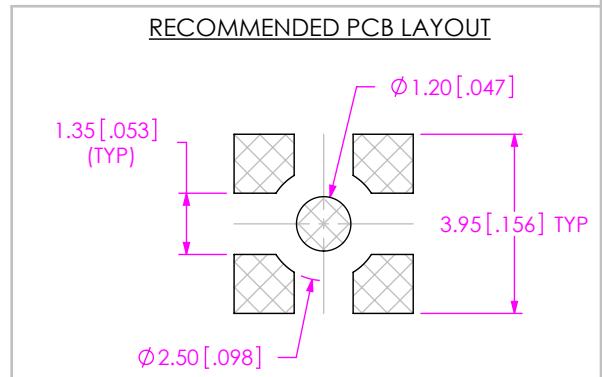
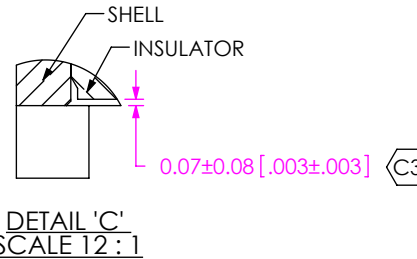
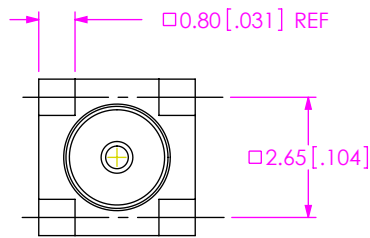


TABLE 1		
ITEM	COMPONENT	-H
1	SHELL	MMCX-J-P-F-ST-SM1-SHL
2	INSULATOR	MMCX-J-P-ST-SM1-INS
3	SOCKET	MMCX-J-P-H-ST-SM1-SKT

NOTES:

1. C1 REPRESENTS A CRITICAL DIMENSION.
2. PUSHOUT FORCE FOR INSULATOR: 22.24 N [5 LB] MIN.
3. PUSHOUT FORCE FOR CENTER CONTACT: 5.34 N [1.2 LB] MIN. (MATING DIRECTION ONLY)
4. SEE CO-RF-WI-3040-M RF PACKAGING FOR PACKAGING INSTRUCTIONS, USE SAMTEC TRAY TY-SMA001-1 AND TY-SMA001-2. IF QUANTITY IS LESS THAN HALF TARY, SHOULD BE BULK PACKAGED IN PLASTIC ZIPLOC BAGS.
6. NOTE DELETED.
7. NOTE DELETED.

UNLESS OTHERWISE SPECIFIED, DIMENSIONS ARE IN MILLIMETERS [INCHES]. TOLERANCES ARE:

DECIMALS ANGLES

.X: ±0.3 [0.1] 5°

.XX: ±0.13 [0.05]

.XXX: ±0.051 [0.020]

PROPRIETARY NOTE

THIS DOCUMENT CONTAINS CONFIDENTIAL AND PROPRIETARY INFORMATION AND ALL DESIGN, MANUFACTURING, REPRODUCTION, USE, PATENT RIGHTS AND SALES RIGHTS ARE EXPRESSLY RESERVED BY SAMTEC, INC. THIS DOCUMENT SHALL NOT BE DISCLOSED, IN WHOLE OR PART, TO ANY UNAUTHORIZED PERSON OR ENTITY NOR REPRODUCED, TRANSFERRED OR INCORPORATED IN ANY OTHER PROJECT IN ANY MANNER WITHOUT THE EXPRESS WRITTEN CONSENT OF SAMTEC, INC.

samtec

520 PARK EAST BLVD, NEW ALBANY, IN 47150
PHONE: 812-944-6733 FAX: 812-948-5047
e-Mail: info@SAMTEC.com code: 55322

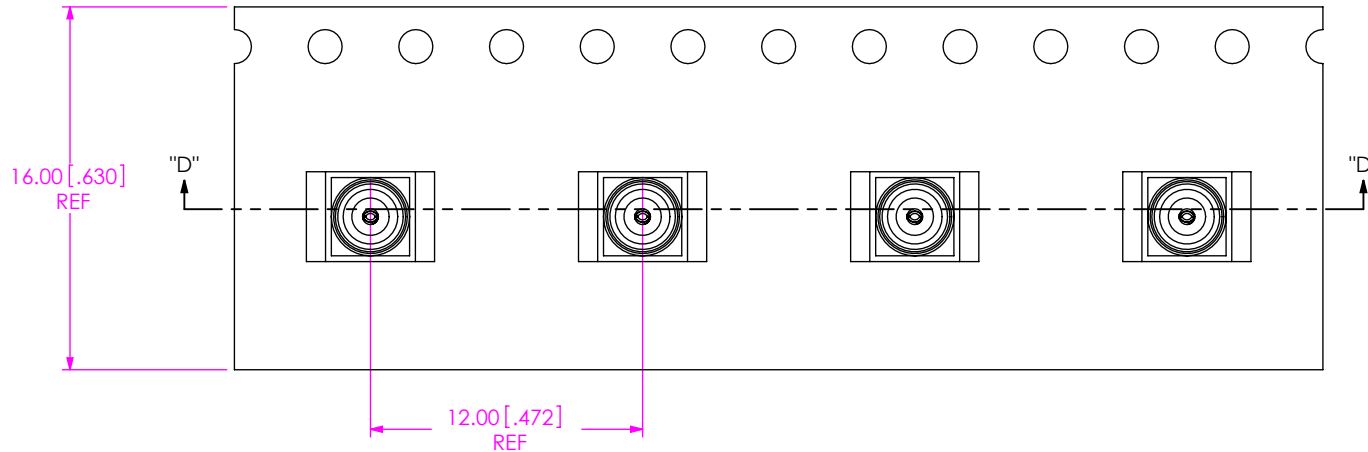
MATERIAL: DO NOT SCALE DRAWING SHEET SCALE: 6:1

SHELL, RING: BRASS
SOCKET: COPPER ALLOY
DIELECTRIC: PTFE

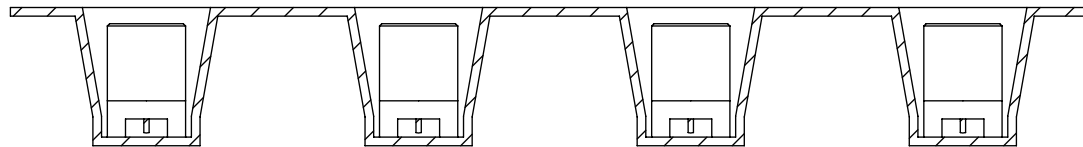
DESCRIPTION:
MMCX STRAIGHT, SMT JACK- 50 OHM

DWG. NO.
MMCX-J-P-X-ST-SM1-X-XX

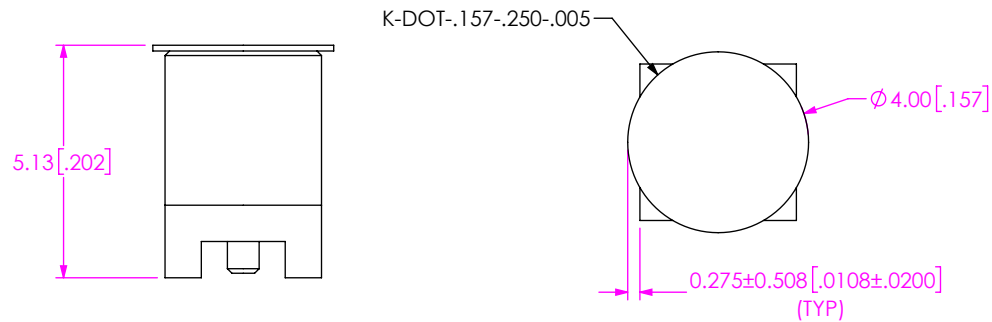
BY: R MUSSER 11/30/2007 SHEET 1 OF 2



USER DIRECTION OF UN-REELING →
POCKET NOT DETAILED



PACKAGING VIEW
SECTION "D"- "D"
SCALE 3 : 1



-K OPTION

PROPRIETARY NOTE
THIS DOCUMENT CONTAINS CONFIDENTIAL AND PROPRIETARY INFORMATION AND ALL DESIGN, MANUFACTURING, REPRODUCTION, USE, PATENT RIGHTS AND SALES RIGHTS ARE EXPRESSLY RESERVED BY SAMTEC, INC. THIS DOCUMENT SHALL NOT BE DISCLOSED, IN WHOLE OR PART, TO ANY UNAUTHORIZED PERSON OR ENTITY NOR REPRODUCED, TRANSFERRED OR INCORPORATED IN ANY OTHER PROJECT IN ANY MANNER WITHOUT THE EXPRESS WRITTEN CONSENT OF SAMTEC, INC.

DO NOT SCALE DRAWING

SHEET SCALE: 6:1



520 PARK EAST BLVD, NEW ALBANY, IN 47150
PHONE: 812-944-6733 FAX: 812-948-5047
e-Mail: info@SAMTEC.com code: 55322

DESCRIPTION:
MMCX STRAIGHT, SMT JACK- 50 OHM

DWG. NO.
MMCX-J-P-X-ST-SM1-X-XX

BY: R MUSSER 11/30/2007 SHEET 2 OF 2