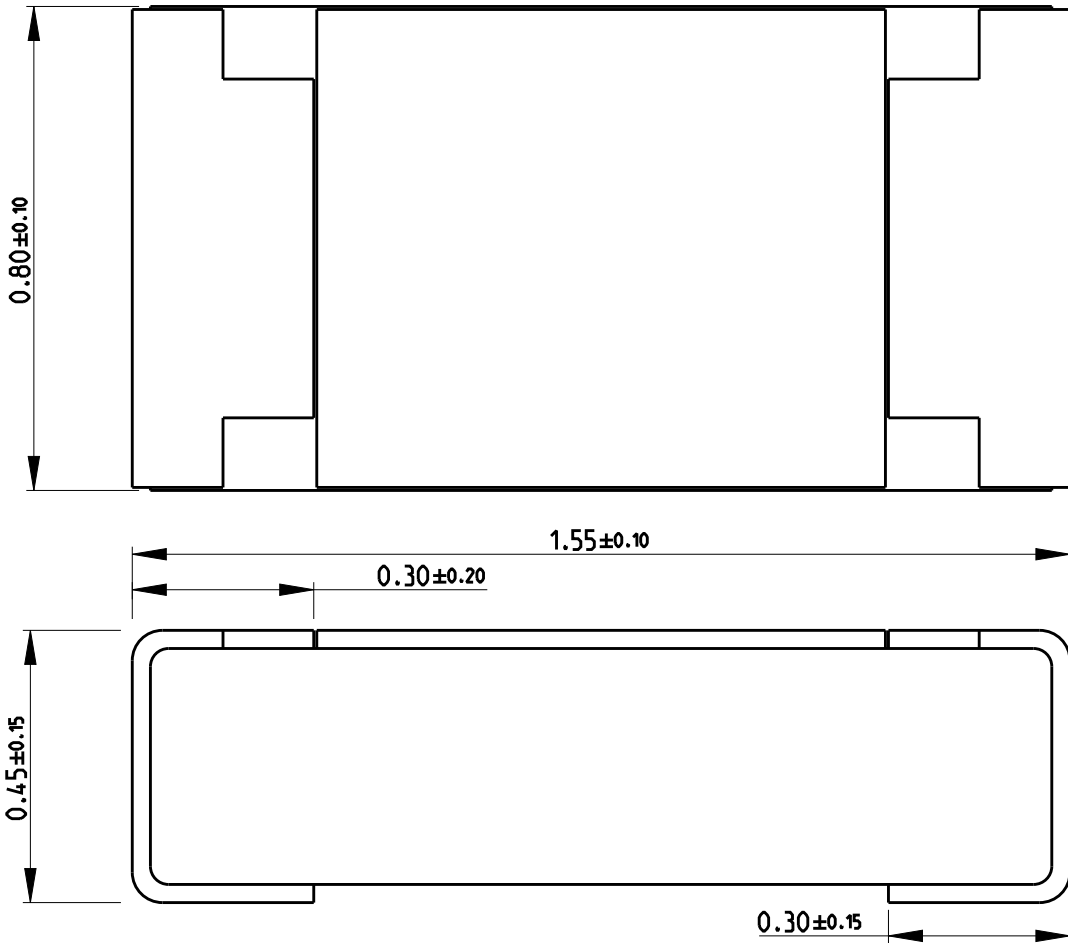


REVISIONS

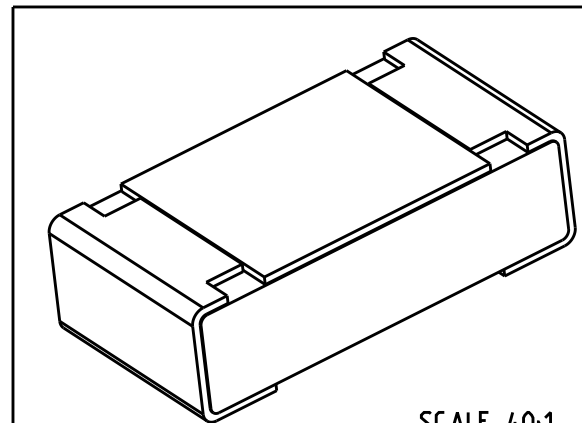
P	LTR	DESCRIPTION	DATE	DWN	APVD
	A	NEW DRAWING	21MAY2018	GCM	AP



NOTES:

- FOR FURTHER INFORMATION SEE DATA SHEET FOR RQ73 SERIES AEC-Q200 THIN FILM PRECISION RESISTORS.

RoHS Compliant




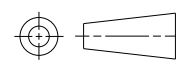
SCALE 40:1

RELEASED FOR PUBLICATION

ALL RIGHTS RESERVED.

THIS DRAWING IS UNPUBLISHED.

© COPYRIGHT copyright_date BY -

DIMENSIONS:		DWN	21MAY2018	MATERIAL	FINISH	
mm		GANESH C M		-		-
TOLERANCES UNLESS OTHERWISE SPECIFIED:		CHK	21MAY2018	 TE Connectivity		
0 PLC ± 0.5		ALLAN.P				
1 PLC ± 0.2		APVD	21MAY2018	NAME SMD Thin Film Precision Resistors - AEC-Q200 Compliant - Type RQ73 0603 Series		
2 PLC ± 0.1		ALLAN.P				
3 PLC \pm		PRODUCT SPEC	-	SIZE	CAGE CODE	DRAWING NO
4 PLC \pm		APPLICATION SPEC	-	A4	00779	C-2176371
ANGLES $\pm 5^\circ$		WEIGHT	-	RESTRICTED TO		-
		CUSTOMER DRAWING		SCALE	SHEET	REV
				80:1	1 OF 1	A