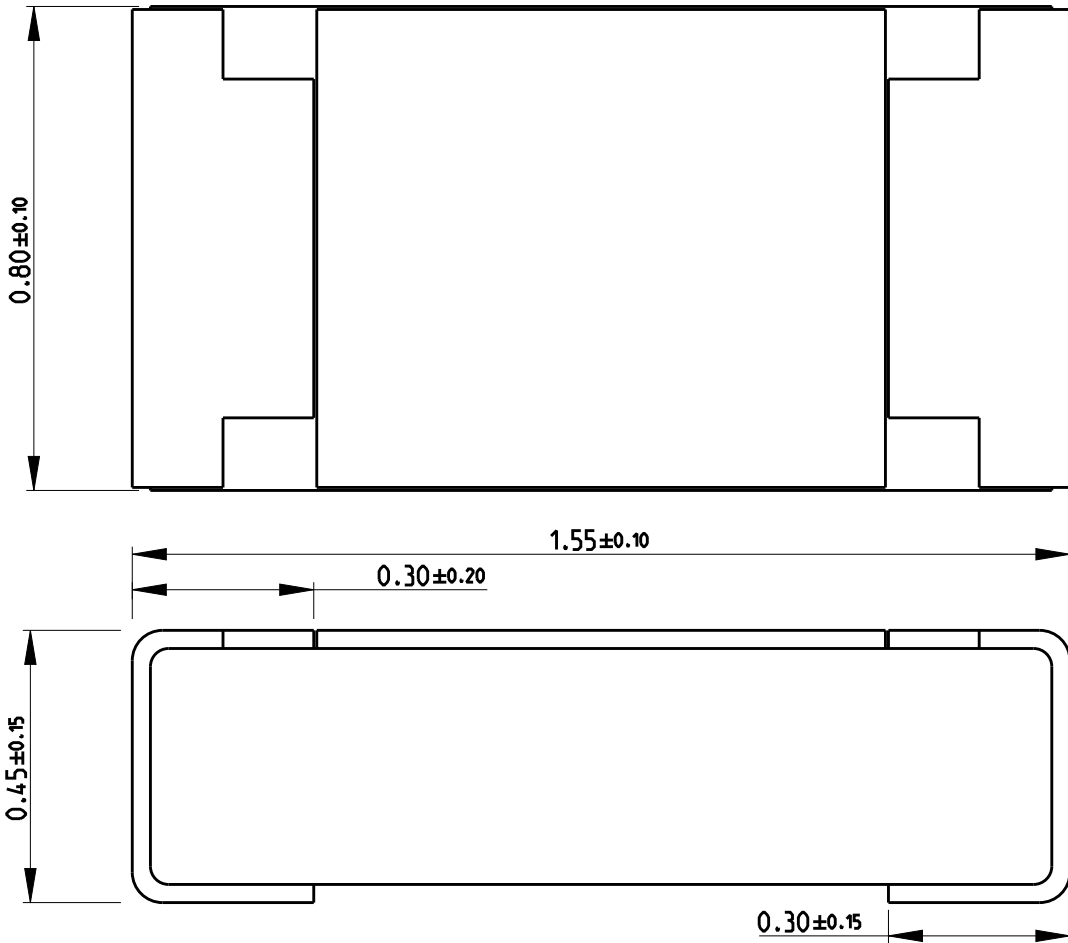


REVISIONS

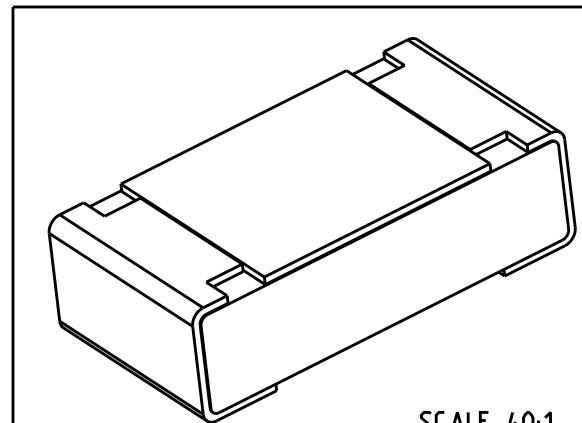
| P | LTR | DESCRIPTION | DATE | DWN | APVD |
|---|-----|-------------|-----------|-----|------|
| | A | NEW DRAWING | 21MAY2018 | GCM | AP |
| | | | | | |
| | | | | | |



NOTES:

- FOR FURTHER INFORMATION SEE DATA SHEET FOR RQ73 SERIES AEC-Q200 THIN FILM PRECISION RESISTORS.

RoHS Compliant




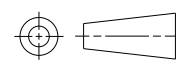
SCALE 40:1

RELEASED FOR PUBLICATION

ALL RIGHTS RESERVED.

THIS DRAWING IS UNPUBLISHED.

© COPYRIGHT copyright_date BY -

| | | | | | | |
|---|--|------------------|-----------|--|-----------|------------|
| DIMENSIONS: | | DWN | 21MAY2018 | MATERIAL | FINISH | |
| mm | | GANESH C M | | - | | |
| TOLERANCES UNLESS OTHERWISE SPECIFIED: | | CHK | 21MAY2018 |  TE Connectivity | | |
| 0 PLC ±0.5 | | ALLAN.P | | | | |
| 1 PLC ±0.2 | | APVD | 21MAY2018 | NAME SMD Thin Film Precision Resistors - AEC-Q200 Compliant - Type RQ73 0603 Series | | |
| 2 PLC ±0.1 | | ALLAN.P | | | | |
| 3 PLC ± | | PRODUCT SPEC | - | SIZE | CAGE CODE | DRAWING NO |
| 4 PLC ± | | APPLICATION SPEC | - | A4 | 00779 | C-2176367 |
| ANGLES 5° | | WEIGHT | - | RESTRICTED TO | | - |
|  | | CUSTOMER DRAWING | | SCALE | SHEET | REV |
| | | | | 80:1 | 1 OF 1 | A |