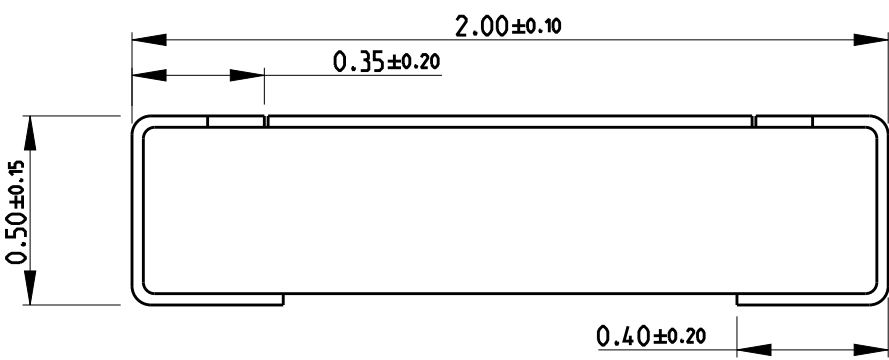
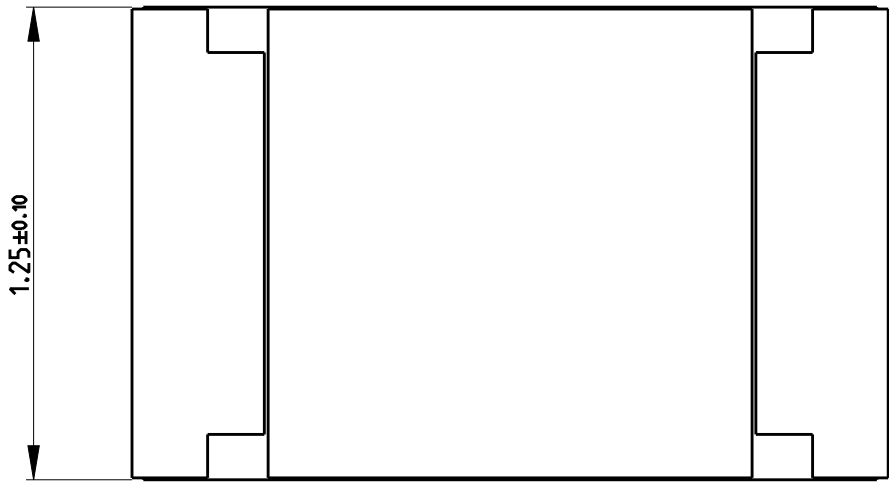


REVISIONS

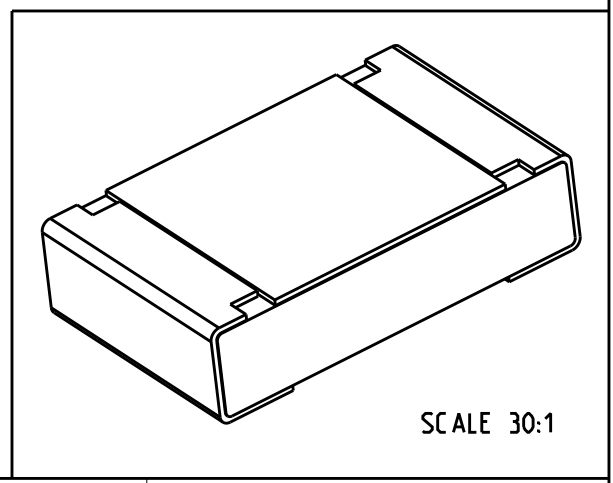
P	LTR	DESCRIPTION	DATE	DWN	APVD
	A	NEW DRAWING	21MAY2018	GCM	AP



NOTES:


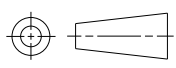
- FOR FURTHER INFORMATION SEE DATA SHEET FOR RQ73 SERIES AEC-Q200 THIN FILM PRECISION RESISTORS.

RoHS Compliant



SCALE 30:1

THIS DRAWING IS UNPUBLISHED.  
 ALL RIGHTS RESERVED.  
 © COPYRIGHT copyright\_date BY -

DIMENSIONS:		DWN	21MAY2018	MATERIAL	FINISH	
mm		GANESH C M		-		
TOLERANCES UNLESS OTHERWISE SPECIFIED:		CHK	21MAY2018	 TE Connectivity		
0 PLC	±0.5	ALLAN.P				
1 PLC	±0.2	APVD	21MAY2018	NAME SMD Thin Film Precision Resistors - AEC-Q200 Compliant - Type RQ73 0805 Series		
2 PLC	±0.1	ALLAN.P				
3 PLC	±	PRODUCT SPEC		SIZE	CAGE CODE	DRAWING NO
4 PLC	±	APPLICATION SPEC		A 4	00779	C-2176378
ANGLES	±5°	WEIGHT		RESTRICTED TO		
				SCALE	SHEET	REV
				50:1	1 OF 1	A
CUSTOMER DRAWING						