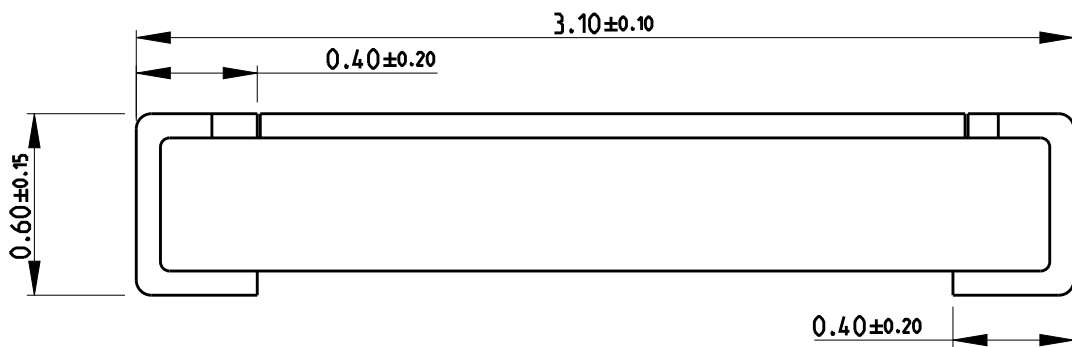
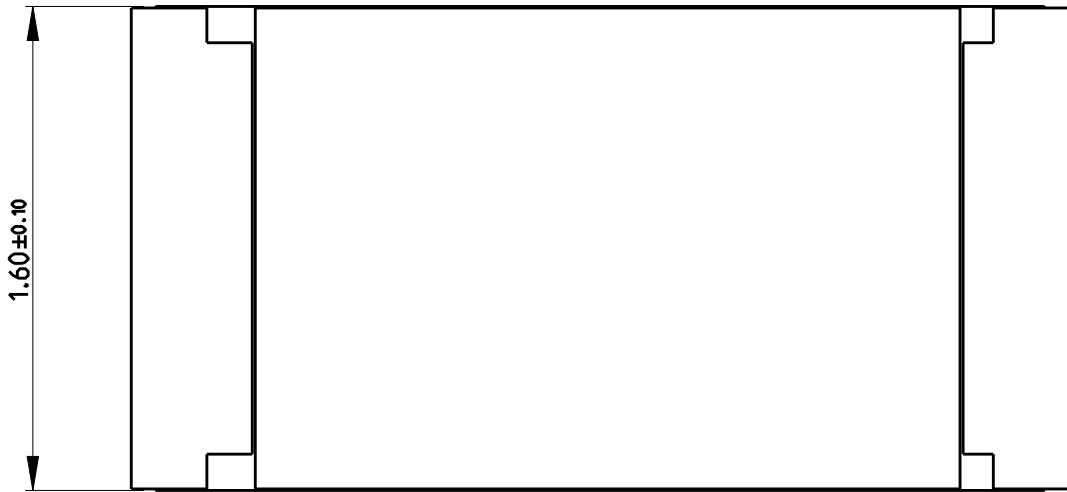


REVISIONS

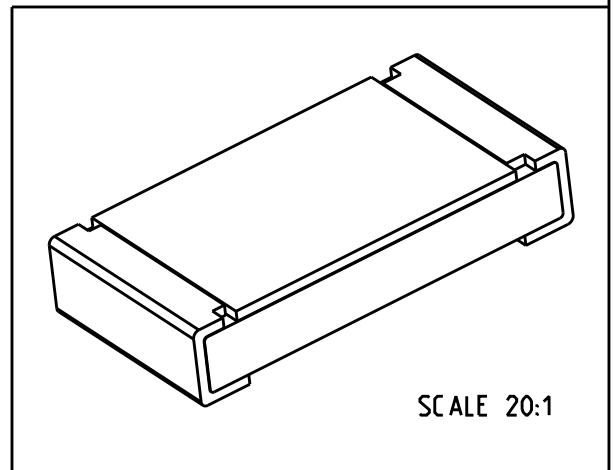
| P | LTR | DESCRIPTION | DATE | DWN | APVD |
|---|-----|-------------|-----------|-----|------|
| | A | NEW DRAWING | 21MAY2018 | GCM | AP |
| | | | | | |
| | | | | | |



NOTES:

- 1. FOR FURTHER INFORMATION SEE DATA SHEET FOR RQ73 SERIES AEC-Q200 THIN FILM PRECISION RESISTORS.

RoHS Compliant



RELEASED FOR PUBLICATION

ALL RIGHTS RESERVED.

THIS DRAWING IS UNPUBLISHED.

© COPYRIGHT copyright_date BY -

| | | | | | | | |
|--|------|------------------|-----------|--|-----------|------------|---------------|
| DIMENSIONS: | | DWN | 21MAY2018 | MATERIAL | - | FINISH | - |
| mm | | GANESH C M | | TE Connectivity | | | |
| TOLERANCES UNLESS OTHERWISE SPECIFIED: | | CHK | 21MAY2018 | | | | |
| 0 PLC | ±0.5 | ALLAN.P | | NAME SMD Thin Film Precision Resistors - AEC-Q200 Compliant - Type RQ73 1206 Series | | | |
| 1 PLC | ±0.2 | APVD | 21MAY2018 | | | | |
| 2 PLC | ±0.1 | ALLAN.P | | SIZE | CAGE CODE | DRAWING NO | RESTRICTED TO |
| 3 PLC | ± | PRODUCT SPEC | - | A4 | 00779 | C-2176391 | - |
| 4 PLC | ± | APPLICATION SPEC | - | SCALE 40:1 SHEET 1 OF 1 REV A | | | |
| ANGLES | ±5° | WEIGHT | - | | | | |
| | | CUSTOMER DRAWING | | | | | |