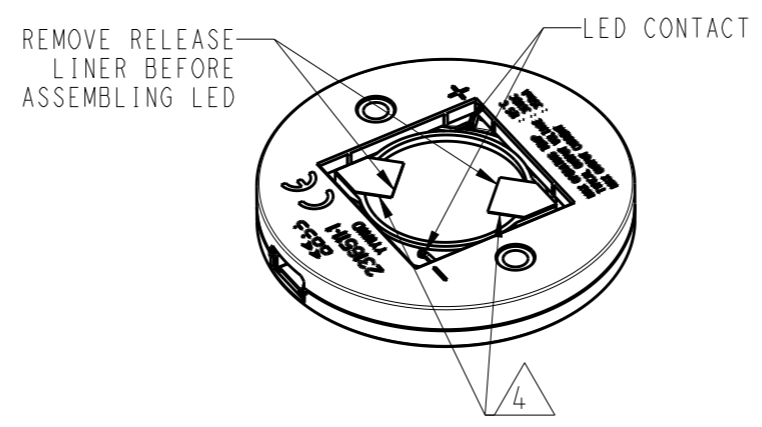
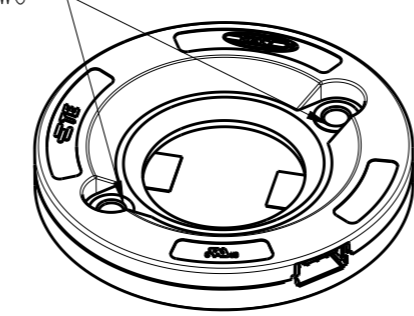
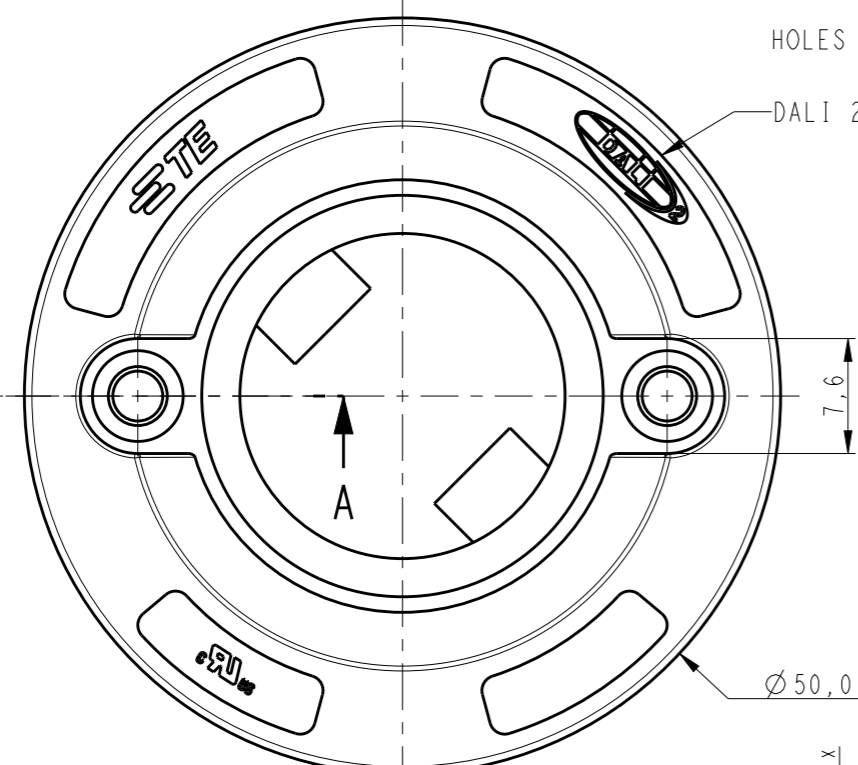
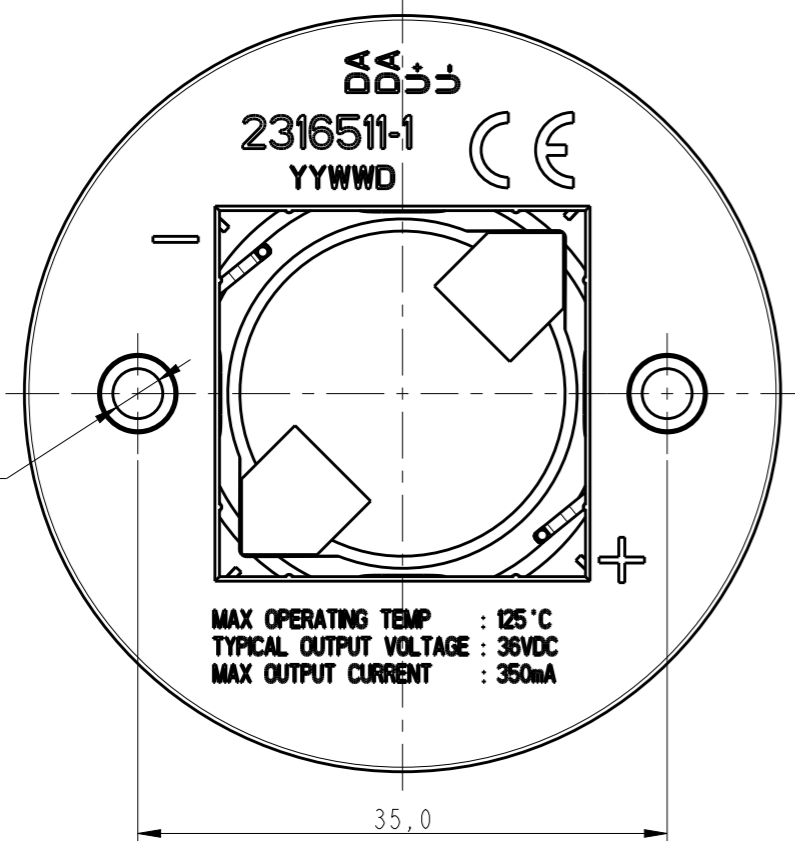
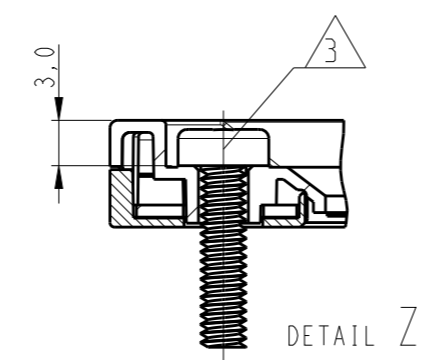
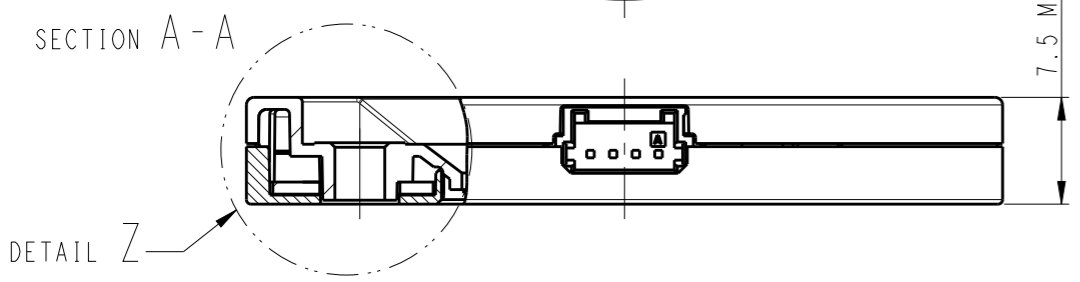


THIS DRAWING IS UNPUBLISHED. RELEASED FOR PUBLICATION 2017
 © COPYRIGHT 2017 BY - ALL RIGHTS RESERVED.

| REVISIONS | | | | | |
|-----------|-----|-------------------------------|-----------|-----|------|
| P | LTR | DESCRIPTION | DATE | DWN | APVD |
| 4 | | GTIN NRS ADDED, PIN TXT ADDED | 11MAR2019 | GCM | MG |



- NOTES:
- MATERIALS:
 HOUSING: GLASS FILLED PBT, HALOGEN FREE FLAME RETARDANT
 COLOR : NATURAL
 CONTACTS: GOLD PLATED COPPER ALLOY
 - PRODUCT COMPLIES WITH RESTRICTION ON HAZARDOUS SUBSTANCES DIRECTIVE 2011/65/EU
 - SCREW TO BE USED - PAN HEAD M3, #4-40, LENGTH 12mm MIN. RECOMMENDED SCREW TORQUE: 0.4 - 0.6 Nm
 - LED RETENTION ON 2 CORNERS WITH DOUBLE SIDED ADHESIVE TAPE.
 - MATING CONNECTOR TE PART NO: 353908-4 OR 2-353908-4 OR 6-353908-4
 - DIMENSIONS SHOWN ARE IN MATED POSITION WITH LED
 - SEE SHEET 3 FOR RECOMMENDED PIN LAYOUT & ADDITIONAL INFORMATION
 - ELECTRICAL RATINGS:
 - USE WITH A 48V DC CONSTANT VOLTAGE CLASS 2 POWER SUPPLY, ±10% TOLERANCE
 - LED FORWARD VOLTAGE HAVE THE FOLLOWING RANGE: 25 - 41VDC.



**PRELIMINARY PART
 NOT RELEASED FOR PRODUCTION**
 CONTACT ENGINEERING FOR LAST REVISION BEFORE USING THIS DRAWING
 Engineer: SUBHASHM

**PRODUCT DATA SHEET 1-1773935-6
 FOR ADDITIONAL INFORMATION**

| CURRENT (mA) | LED TYPE | DESCRIPTION | WEIGHT (g) | GTIN NO | PART NO |
|--------------|----------|--------------------|------------|---------------|-------------|
| 1050 | 16x19 | DALI, 1.05A, 16x19 | 9.48 | 9421027422254 | 3-2316511-4 |
| | 19x19 | DALI, 1.05A, 19x19 | 9.38 | 9421027422247 | 3-2316511-3 |
| | 20x24 | DALI, 1.05A, 20x24 | 9.33 | 9421027422230 | 3-2316511-2 |
| | 24x24 | DALI, 1.05A, 24x24 | 9.09 | 9421027422223 | 3-2316511-1 |
| 700 | 16x19 | DALI, 0.7A, 16x19 | 9.48 | 9421027422216 | 2-2316511-4 |
| | 19x19 | DALI, 0.7A, 19x19 | 9.38 | 9421027422209 | 2-2316511-3 |
| | 20x24 | DALI, 0.7A, 20x24 | 9.33 | 9421027422193 | 2-2316511-2 |
| | 24x24 | DALI, 0.7A, 24x24 | 9.09 | 9421027422186 | 2-2316511-1 |
| 500 | 16x19 | DALI, 0.5A, 16x19 | 9.48 | 9421027422179 | 1-2316511-4 |
| | 19x19 | DALI, 0.5A, 19x19 | 9.38 | 9421027422162 | 1-2316511-3 |
| | 20x24 | DALI, 0.5A, 20x24 | 9.33 | 9421027422155 | 1-2316511-2 |
| | 24x24 | DALI, 0.5A, 24x24 | 9.09 | 9421027422148 | 1-2316511-1 |
| 350 | 16x19 | DALI, 0.35A, 16x19 | 9.48 | 9421027422131 | 2316511-4 |
| | 19x19 | DALI, 0.35A, 19x19 | 9.38 | 9421027422124 | 2316511-3 |
| | 20x24 | DALI, 0.35A, 20x24 | 9.33 | 9421027422117 | 2316511-2 |
| | 24x24 | DALI, 0.35A, 24x24 | 9.09 | 9421027422100 | 2316511-1 |

THIS DRAWING IS A CONTROLLED DOCUMENT.

| DIMENSIONS: | TOLERANCES UNLESS OTHERWISE SPECIFIED: |
|-------------|--|
| mm | 0 PLC ±- |
| | 1 PLC ±0.2 |
| | 2 PLC ±0.1 |
| | 3 PLC ±- |
| | 4 PLC ±- |
| | ANGLES ±- |
| MATERIAL | FINISH |
| SEE NOTES | - |

THIS DRAWING IS A CONTROLLED DOCUMENT.

DWN: SUBHASH.M 22NOV2017
 CHK: MARCO.Z 22NOV2017
 APVD: O.I.FLINSF 15DEC2017

PRELIMINARY TE Connectivity

LUMAWISE DRIVE TYPE Z50, DALI VERSION

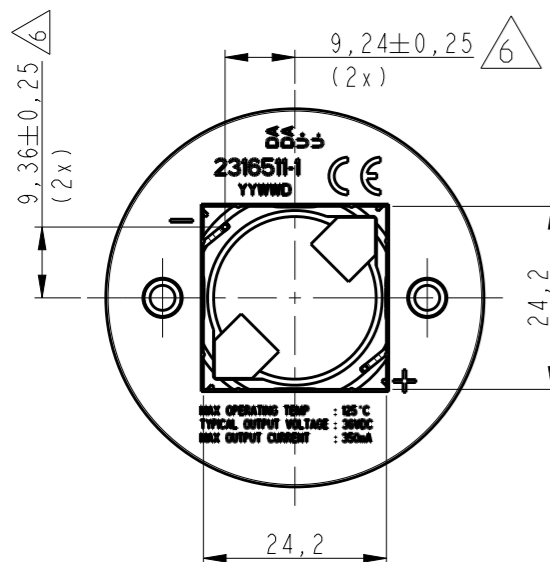
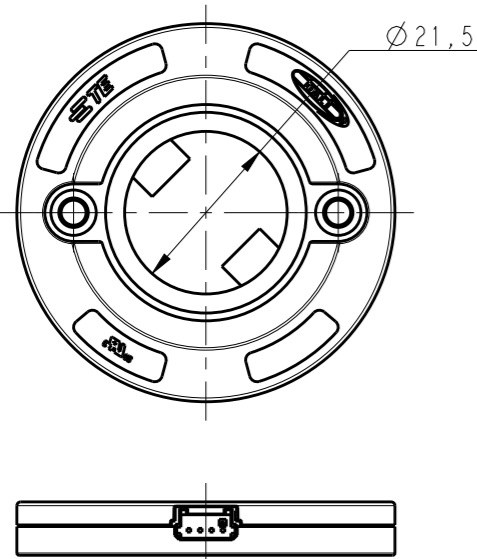
| | | | | | | | | | |
|------------------|------------|--------|-----------|-----------|-------|------------|-----------|---------------|---|
| PRODUCT SPEC | 108-133109 | SIZE | A3 | CAGE CODE | 00779 | DRAWING NO | C-2316511 | RESTRICTED TO | - |
| APPLICATION SPEC | 114-133109 | WEIGHT | SEE TABLE | SCALE | 2:1 | SHEET | 1 OF 4 | REV | 4 |

CUSTOMER DRAWING

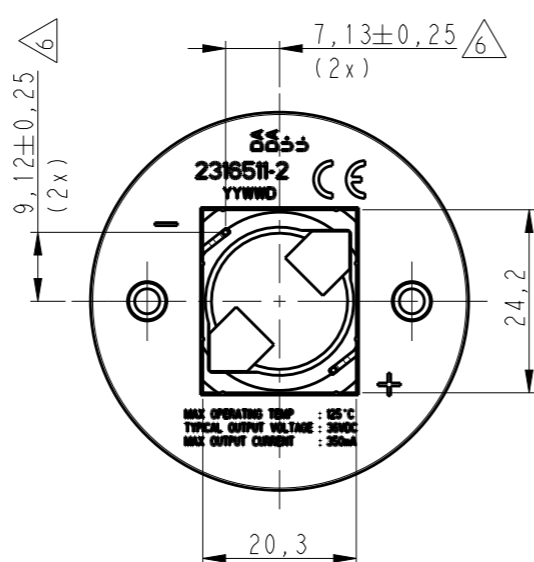
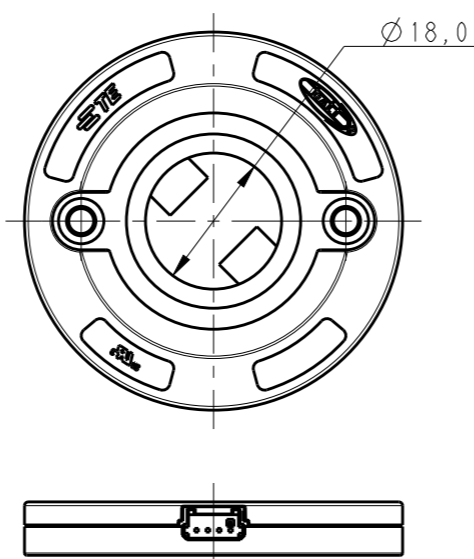
REVISIONS

| P | LTR | DESCRIPTION | DATE | DWN | APVD |
|---|-----|-------------|------|-----|------|
| - | - | SEE SHEET 1 | - | - | - |

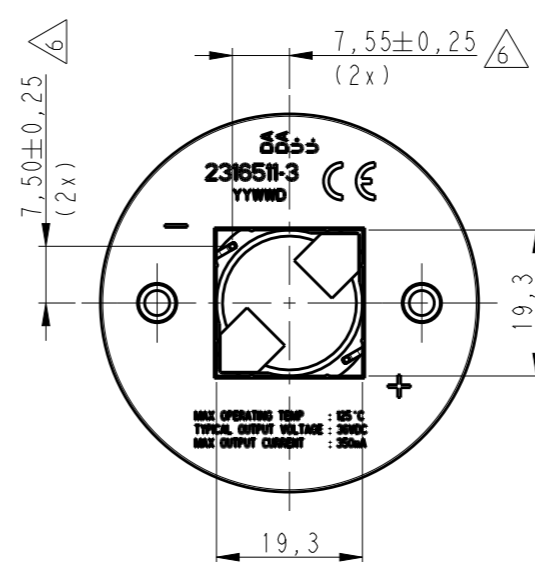
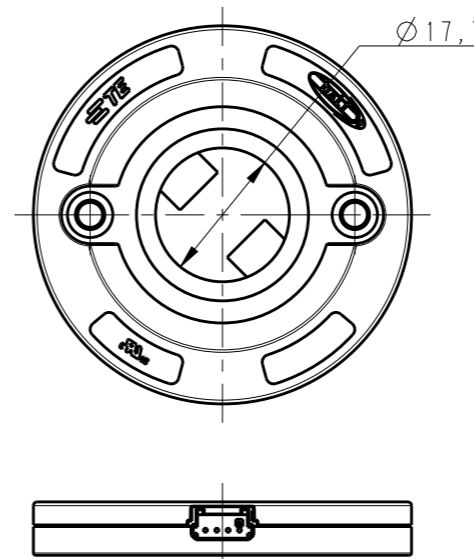
AS SHOWN 2316511-1
SCALE 1:1



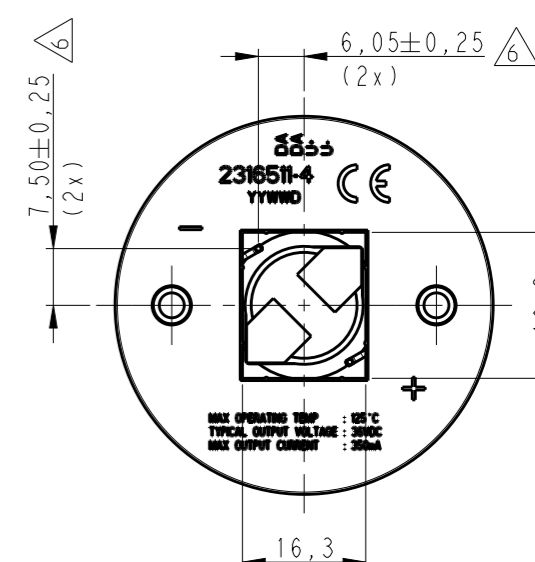
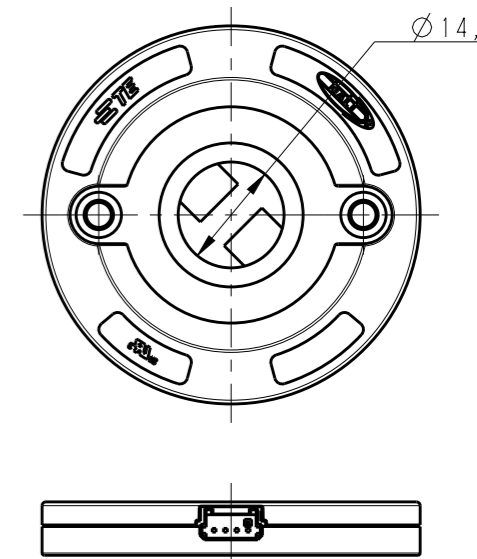
AS SHOWN 2316511-2
SCALE 1:1



AS SHOWN 2316511-3
SCALE 1:1



AS SHOWN 2316511-4
SCALE 1:1



**PRELIMINARY PART
NOT RELEASED FOR PRODUCTION**

CONTACT ENGINEERING FOR LAST
REVISION BEFORE USING THIS DRAWING

Engineer: SUBHASH.M

THIS DRAWING IS A CONTROLLED DOCUMENT.

| DIMENSIONS: | TOLERANCES UNLESS OTHERWISE SPECIFIED: |
|-------------|--|
| mm | 0 PLC ±- |
| | 1 PLC ±0.2 |
| | 2 PLC ±0.1 |
| | 3 PLC ±- |
| | 4 PLC ±- |
| | ANGLES ±- |
| MATERIAL | FINISH |
| SEE NOTES | - |
| | - |

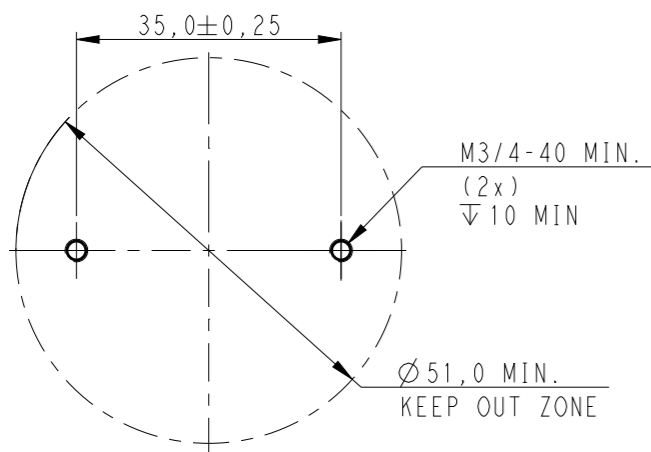
| | | |
|------------------|-------------|-----------|
| DWN | SUBHASH.M | 22NOV2017 |
| CHK | MARCO.Z | 22NOV2017 |
| APVD | O.I.FI.JNSF | 15DEC2017 |
| PRODUCT SPEC | 108-133109 | |
| APPLICATION SPEC | 114-133109 | |
| WEIGHT | SEE TABLE | |
| CUSTOMER DRAWING | | |



| | | | |
|--|-----------|------------|---------------|
| NAME LUMAWISE DRIVE TYPE Z50, DALI VERSION | | | |
| SIZE | CAGE CODE | DRAWING NO | RESTRICTED TO |
| A3 | 00779 | C-2316511 | - |
| SCALE | SHEET | OF | REV |
| 2:1 | 2 | 4 | 4 |

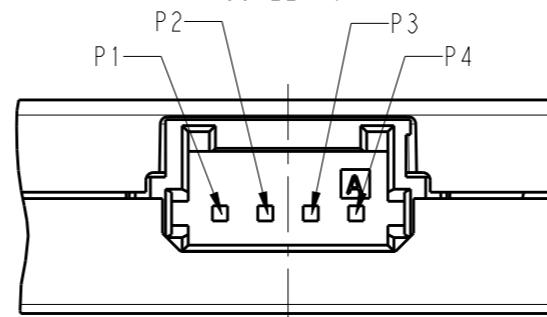
| REVISIONS | | | | | |
|-----------|-----|-------------|------|-----|------|
| P | LTR | DESCRIPTION | DATE | DWN | APVD |
| - | | SEE SHEET 1 | - | - | - |

RECOMMENDED DRILLING HOLE PATTERN



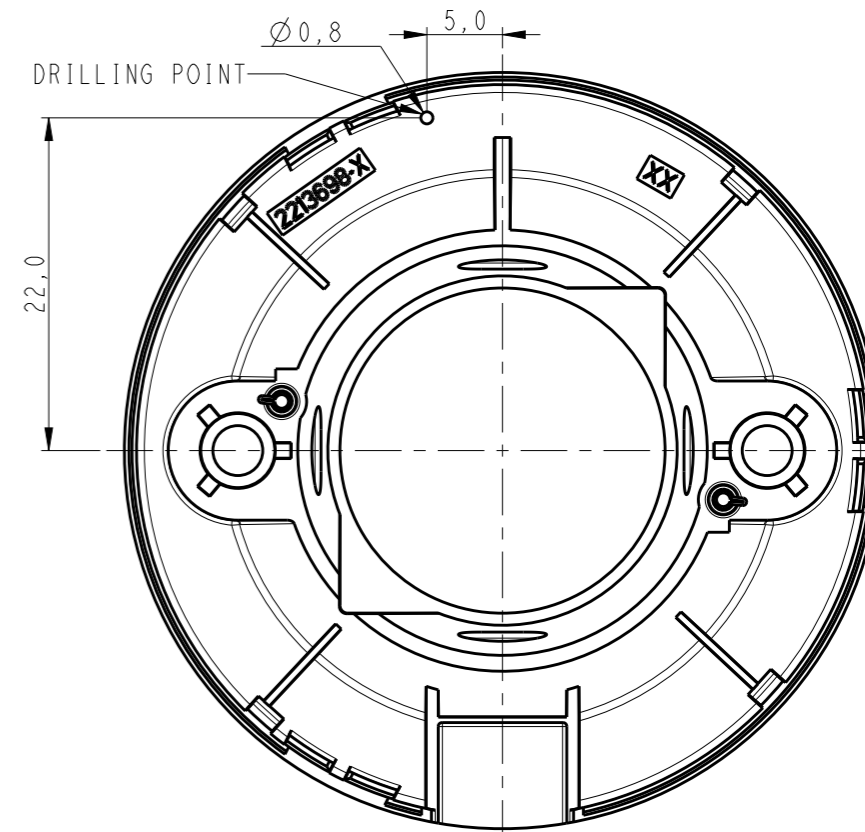
PIN LAYOUT

SCALE 4:1



| | | |
|----|---------------|----|
| P1 | DALI (+) | DA |
| P2 | DALI (-) | DA |
| P3 | 48VIN (+) | U+ |
| P4 | 48VIN (-) GND | U- |

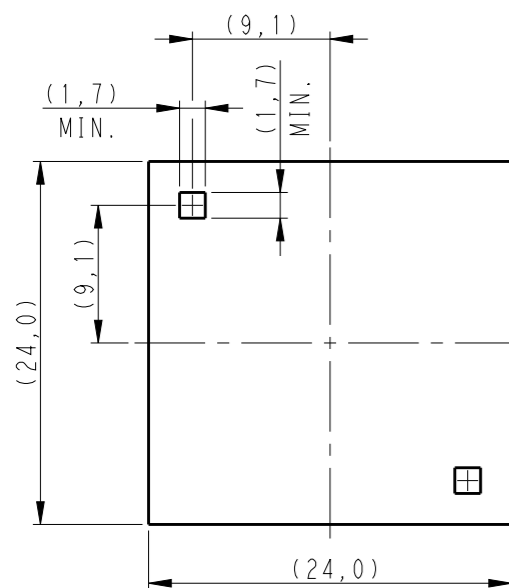
DRILLING LOCATION FOR Tc TESTING ONLY TOP COVER SHOWN



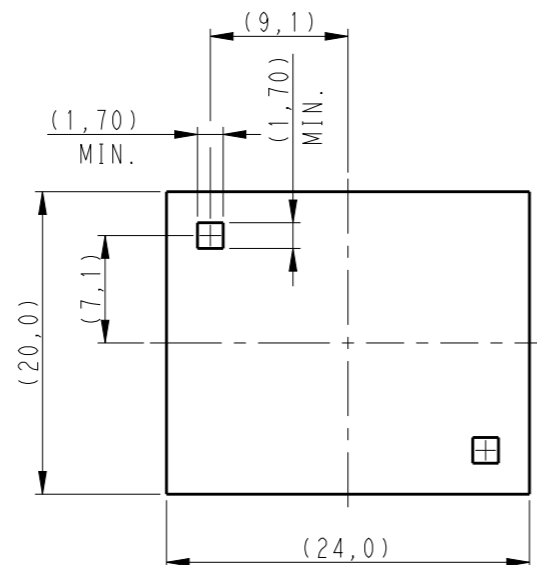
NOMINAL LED INFO:

THE SKETCH BELOW IS SHOWING THE ZHAGA BOOK 12 COB DIMENSIONS TO MATCH WITH THE LUMAWISE DRIVE TYPE Z50 LED HOLDER

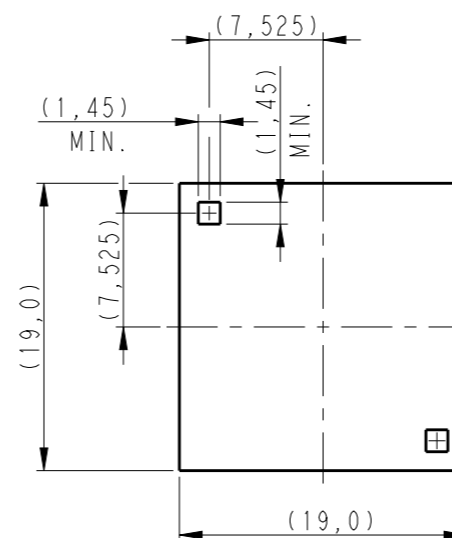
24x24 LAYOUT



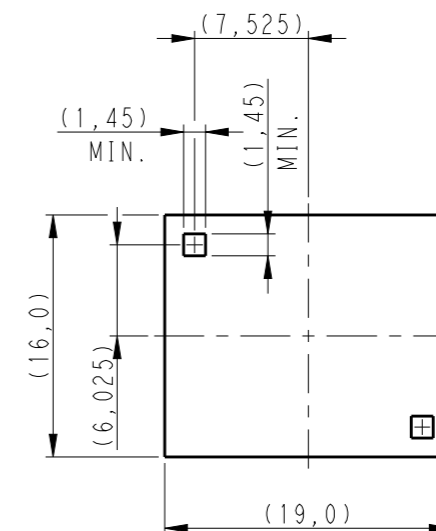
20x24 LAYOUT



19x19 LAYOUT



16x19 LAYOUT



**PRELIMINARY PART
NOT RELEASED FOR PRODUCTION**

CONTACT ENGINEERING FOR LAST
REVISION BEFORE USING THIS DRAWING

Engineer: SUBHASHM

THIS DRAWING IS A CONTROLLED DOCUMENT.

| DIMENSIONS: | TOLERANCES UNLESS OTHERWISE SPECIFIED: |
|-------------|--|
| mm | |
| | 0 PLC ±- |
| | 1 PLC ±0.2 |
| | 2 PLC ±0.1 |
| | 3 PLC ±- |
| | 4 PLC ±- |
| | ANGLES ±- |
| MATERIAL | FINISH |
| SEE NOTES | - |

| | |
|------------------|------------|
| DWN | 22NOV2017 |
| SUBHASH.M | |
| CHK | 22NOV2017 |
| MARCO.Z | |
| APVD | 15DEC2017 |
| O.I.FIUNSE | |
| PRODUCT SPEC | 108-133109 |
| APPLICATION SPEC | 114-133109 |
| WEIGHT | SEE TABLE |
| CUSTOMER DRAWING | |



NAME
LUMAWISE DRIVE TYPE Z50,
DALI VERSION

| SIZE | CAGE CODE | DRAWING NO | RESTRICTED TO |
|-----------|-----------|--------------|---------------|
| A3 | 00779 | C=2316511 | - |
| SCALE 2:1 | | SHEET 3 OF 4 | REV 4 |

THIS DRAWING IS UNPUBLISHED.

RELEASED FOR PUBLICATION

2017

© COPYRIGHT 2017 BY -

ALL RIGHTS RESERVED.

REVISIONS

| P | LTR | DESCRIPTION | DATE | DWN | APVD |
|---|-----|-------------|------|-----|------|
| - | | SEE SHEET 1 | - | - | - |

| | | |
|--|-------------------------|-----------------|
| L2C5-xxxx1202E0900; L2C5-xxxx1203E0900 1202s; 120206xCx; 1202CRSP; 1203CRSP | LUMILEDS | 16x19 |
| NVCWL024Z; NFCWL060B-V1; NFCLL060B-V1; NFCWL036B-V1M3 | NICHIA | |
| LC040C | SAMSUNG | 19x19 |
| BXRH-40E8000-J-23; BXRE-xxxxxxx-x-7x | BRIDGELUX | |
| PB16H; PB16U; PB19H; PB19U; PB26U; PB26H | LEXTAR | |
| CLU038-1208C4; CLU721-1206C4; CLU710-1204C1; CLU711-1204C1; CLU034-1205C4; CLU036-1205C1; CLU032-1205A5-303M1A2; CLU720-1206C1; CLL030-1212A1-50KL1A1 | CITIZEN | |
| 2PHE20CW27P34001/2PHE30CW27P34001 2PHE20CW38P34001/2PHE30CW38P34002 HM CRI80 Series; HM CRI90 Series SL Series | EDISON OPTO | |
| EA1919 36V/26W Series | EVERLIGHT | |
| CHM-11/CXM11; CXM14/CHM14; CLM-14 Gen 3; CXM-11-XH00 | LUMINUS | |
| Soleriq 13 Gen 2 Soleriq 15 | OSRAM | |
| DMS124***G; DMC124/125***F; DMS125/126/128***G; DMC128***F; DMS099***F | PANASONIC | |
| SDW02F1C; SDWx3F1C | SEOUL | |
| SLE-G5-LES15 SLE-G5-LES17 | TRIDONIC | 20x24 |
| LC016/19/26D; LC019D; LC026D | SAMSUNG | |
| LHC1-3070-1205; L2C5-xxxx-1204 LHC1-xxxx1204; 1204CRSP; 1205CRSP; 1208CRSP; 1204; 1205; 1208 | LUMILEDS | |
| EAHP2024 | EVERLIGHT | |
| GW6TGBJC50C; GW5DGC**M04 | SHARP | 24x24 |
| BXRE-xxxxxxx-x-7x | BRIDGELUX | |
| Soleriq S19 GW KAHLB2.CM | OSRAM | |
| LED DESCRIPTION | MANUFACTURE NAME | LED TYPE |

LEDs COMPATIBILITY

**PRELIMINARY PART
NOT RELEASED FOR PRODUCTION**

CONTACT ENGINEERING FOR LAST
REVISION BEFORE USING THIS DRAWING

Engineer: SUBHASH.M

THIS DRAWING IS A CONTROLLED DOCUMENT.

| DIMENSIONS: | TOLERANCES UNLESS OTHERWISE SPECIFIED: |
|-------------|--|
| mm | |
| | 0 PLC ±- |
| | 1 PLC ±0.2 |
| | 2 PLC ±0.1 |
| | 3 PLC ±- |
| | 4 PLC ±- |
| | ANGLES ±- |
| MATERIAL | FINISH |
| SEE NOTES | - |
| | - |

| | | | |
|------------------|-------------|---------------------|--|
| DWN | 22NOV2017 | TE Connectivity | |
| CHK | SUBHASH.M | | |
| CHK | MARCO.Z | | |
| APVD | 15DEC2017 | | |
| APVD | O.I.FI.JNSE | NAME | LUMAWISE DRIVE TYPE Z50, DALI VERSION |
| PRODUCT SPEC | 108-133109 | SIZE | A3 |
| APPLICATION SPEC | 114-133109 | CAGE CODE | 00779 |
| WEIGHT | SEE TABLE | DRAWING NO | 2316511 |
| CUSTOMER DRAWING | | RESTRICTED TO | - |
| | | SCALE | 5:1 |
| | | SHEET | 4 OF 4 |
| | | REV | 4 |