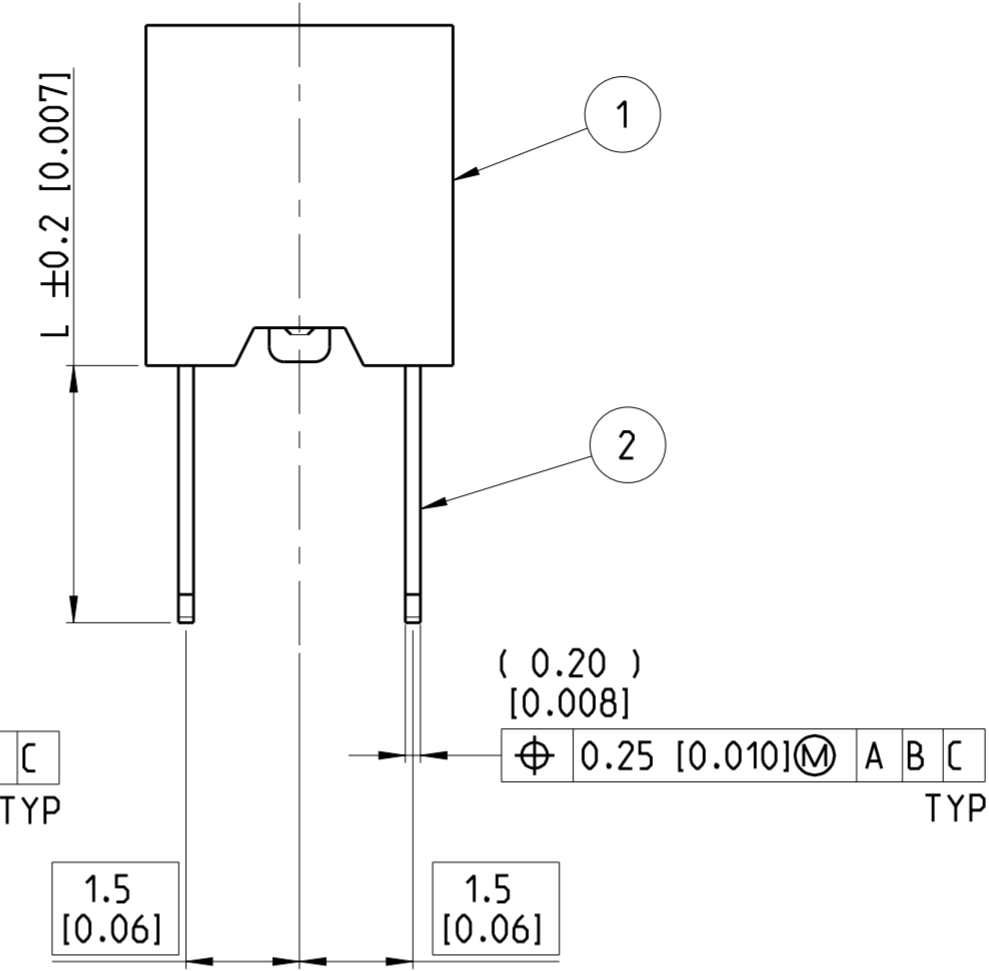
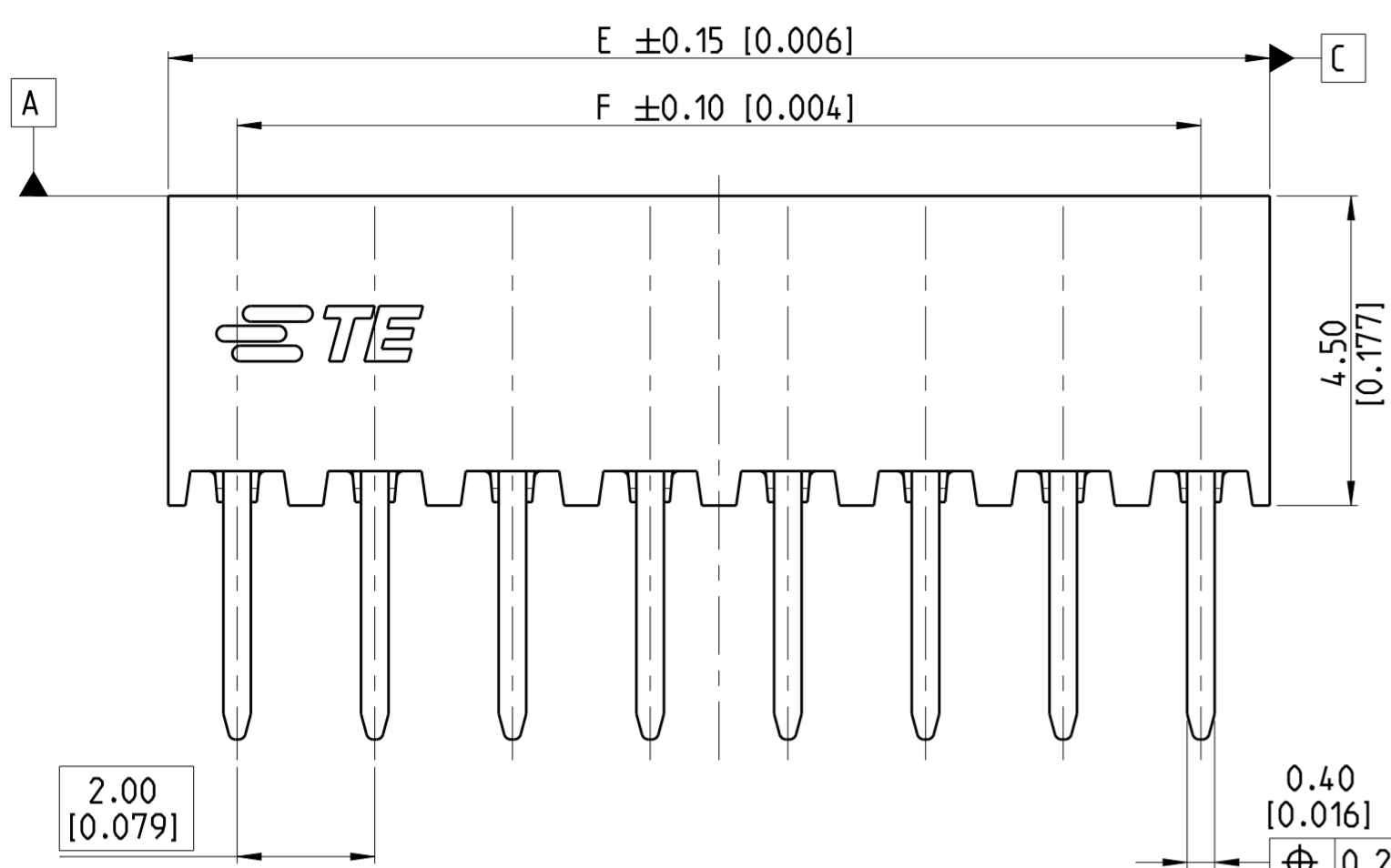
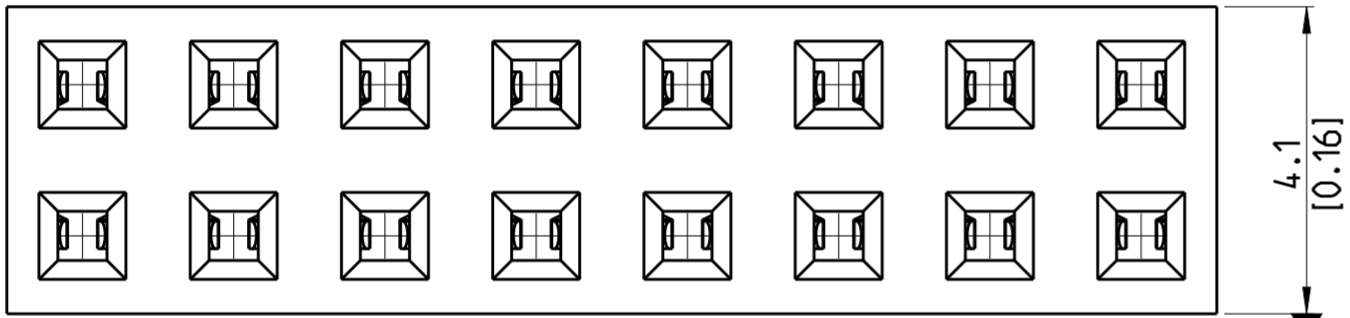


THIS DRAWING IS UNPUBLISHED. RELEASED FOR PUBLICATION 20  
 © COPYRIGHT 20 BY - ALL RIGHTS RESERVED.

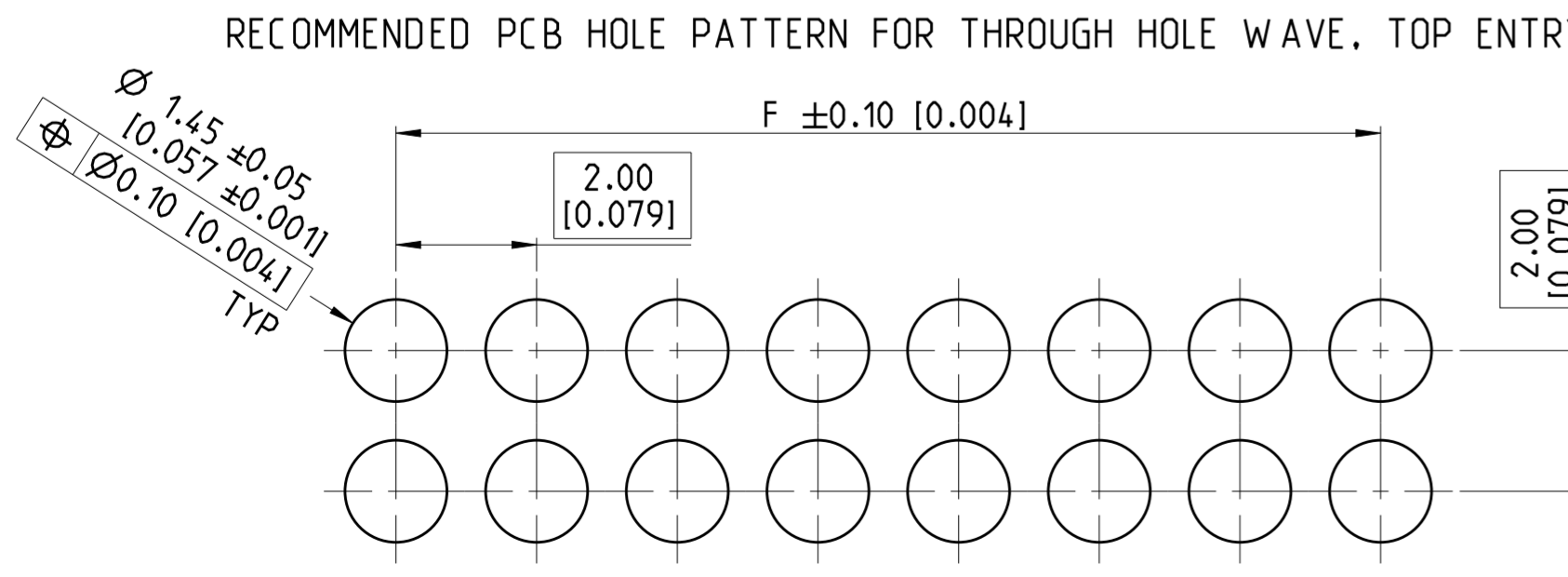
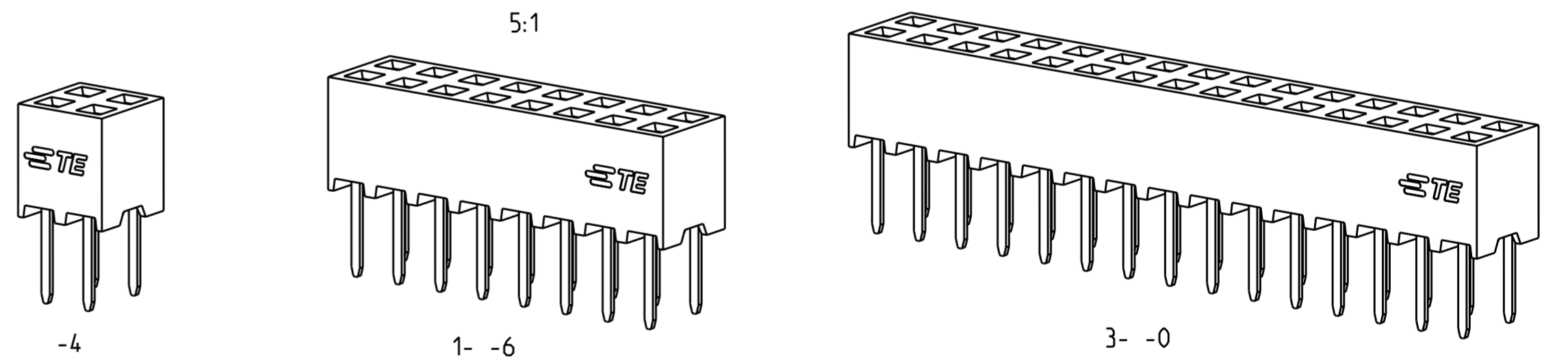
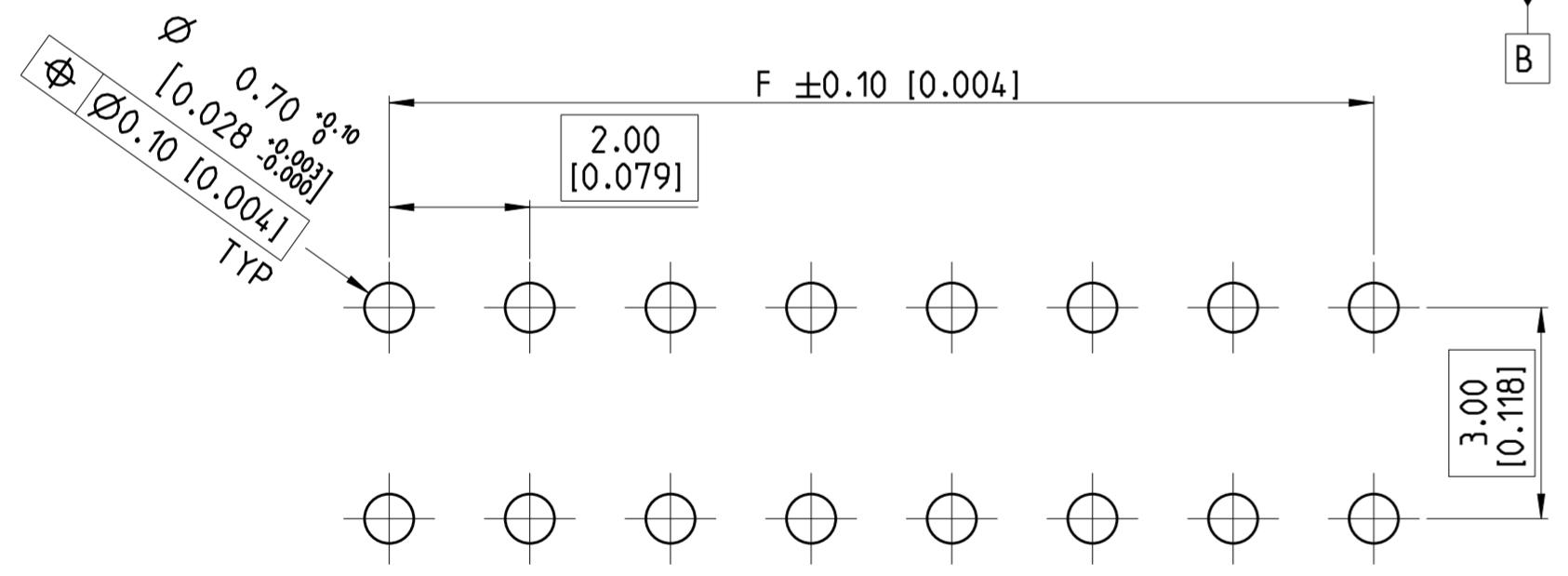
REVISIONS					
P	LTR	DESCRIPTION	DATE	DWN	APVD
1		INITIAL RELEASE	21NOV2018	SS	PS



- NOTES:
- MATERIAL:  
HOUSING: LCP, UL94 V0, BLACK  
CONTACT: PHOSPHOR BRONZE, 0.20mm THICK, H04
  - FINISH:  
△2 ALL OVER 3-5µm TIN OVER MIN 1.27µm NICKEL UNDERPLATE  
△3 CONTACT AREA: MIN 0.1µm GOLD  
SOLDER TAIL: 3-5µm TIN  
UNDERPLATING: MIN 1.27µm NICKEL ALL OVER  
△4 CONTACT AREA: MIN 0.38µm GOLD  
SOLDER TAIL: 3-5µm TIN  
UNDERPLATING: MIN 1.27µm NICKEL ALL OVER  
△5 CONTACT AREA: MIN 0.76µm GOLD  
SOLDER TAIL: 3-5µm TIN  
UNDERPLATING: MIN 1.27µm NICKEL ALL OVER
  - N = NO. OF POSITIONS PER CONNECTOR



CONTACT	2
HOUSING	1
DESCRIPTION	ITEM



THIS PRINT IS  
**PRELIMINARY**  
 UNQUALIFIED PRODUCT  
 CONTACT PRODUCT ENGINEERING  
 BEFORE USING THIS PRINT

THIS DRAWING IS A CONTROLLED DOCUMENT.		DWN 07NOV2017	TE Connectivity		
DIMENSIONS: mm [inch]		CHK 21NOV2018	APVD 21NOV2018		
TOLERANCES UNLESS OTHERWISE SPECIFIED: 0 PLC ± 1 PLC ±0.2 2 PLC ±0.1 [0.008] 3 PLC ± [0.004] 4 PLC ± ANGLES ±2° FINISH		NAME AMPMODU 2mm, BiB RECEPTACLE	PRODUCT SPEC 108-64040		
MATERIAL SEE NOTES		APPLICATION SPEC 114-32186	SIZE A2	CAGE CODE 00779	DRAWING NO C-2307800
SEE NOTES		WEIGHT -	RESTRICTED TO -		SCALE 10:1
-		CUSTOMER DRAWING		SHEET 1 OF 2	REV 1


THIS DRAWING IS UNPUBLISHED. RELEASED FOR PUBLICATION 20  
 © COPYRIGHT 20 BY - ALL RIGHTS RESERVED.

REVISIONS				
P	LTR	DESCRIPTION	DATE	APVD
-		SEE SHEET 1	-	-

MATING SIDE PLATING (FINISH)	"L" SOLDER TAIL LENGTH	BTB RECEPTACLE BASE NUMBER
		TUBE PKG W/O CAP
TIN △ <sub>2</sub>	2.8[0.110]	2307800
	3.4[0.134]	2307802
GOLD FLASH 0.1 μm △ <sub>3</sub>	2.8[0.110]	2307803
	3.4[0.134]	2307805
GOLD 0.38 μm △ <sub>4</sub>	2.8[0.110]	2307806
	3.4[0.134]	2307808
GOLD 0.76 μm △ <sub>5</sub>	2.8[0.110]	2307809
	3.4[0.134]	2307811

48	50	50	5-	-0
46	48	48	4-	-8
44	46	46	4-	-6
42	44	44	4-	-4
40	42	42	4-	-2
38	40	40	4-	-0
36	38	38	3-	-8
34	36	36	3-	-6
32	34	34	3-	-4
30	32	32	3-	-2
28	30	30	3-	-0
26	28	28	2-	-8
24	26	26	2-	-6
22	24	24	2-	-4
20	22	22	2-	-2
18	20	20	2-	-0
16	18	18	1-	-8
14	16	16	1-	-6
12	14	14	1-	-4
10	12	12	1-	-2
8	10	10	1-	-0
6	8	8		-8
4	6	6		-6
2	4	4		-4
DIM "F"	DIM "E"	N	FG	PN

THIS PRINT IS  
**PRELIMINARY**  
 UNQUALIFIED PRODUCT  
 CONTACT PRODUCT ENGINEERING  
 BEFORE USING THIS PRINT

THIS DRAWING IS A CONTROLLED DOCUMENT.		DWN 07NOV2017 SOURAV DAS	 TE Connectivity	
DIMENSIONS: mm [inch]		CHK 21NOV2018 SHARATH S		
TOLERANCES UNLESS OTHERWISE SPECIFIED:		APVD 21NOV2018 PRASHANTH S	NAME AMPMODU 2mm, B1B RECEPTACLE DUAL ROW, VERTICAL, DUAL ENTRY, TH/THR	
0 PLC ±		PRODUCT SPEC 108-64040	SIZE A2	
1 PLC ±0.2		APPLICATION SPEC 114-32186	CAGE CODE 00779	DRAWING NO C-2307800
2 PLC ±0.1 [0.008]		WEIGHT -	RESTRICTED TO -	
3 PLC ± [0.004]		CUSTOMER DRAWING	SCALE 10:1	SHEET 2 OF 2
4 PLC ±				REV 1
ANGLES ±2°				
FINISH				
MATERIAL SEE NOTES				
SEE NOTES				