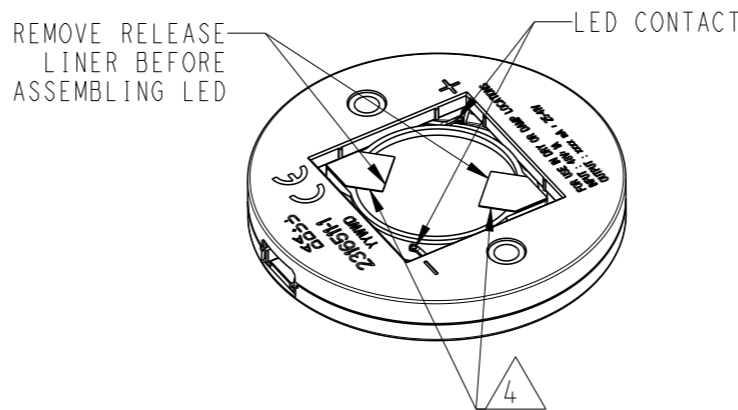
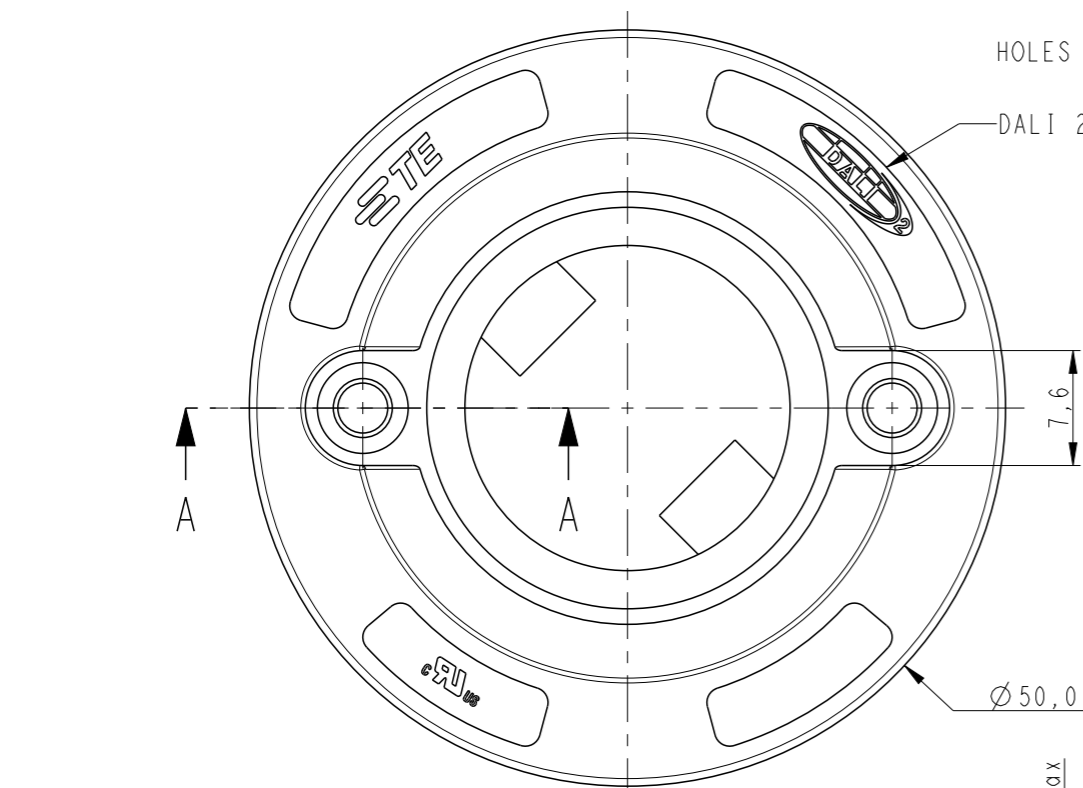


REVISIONS

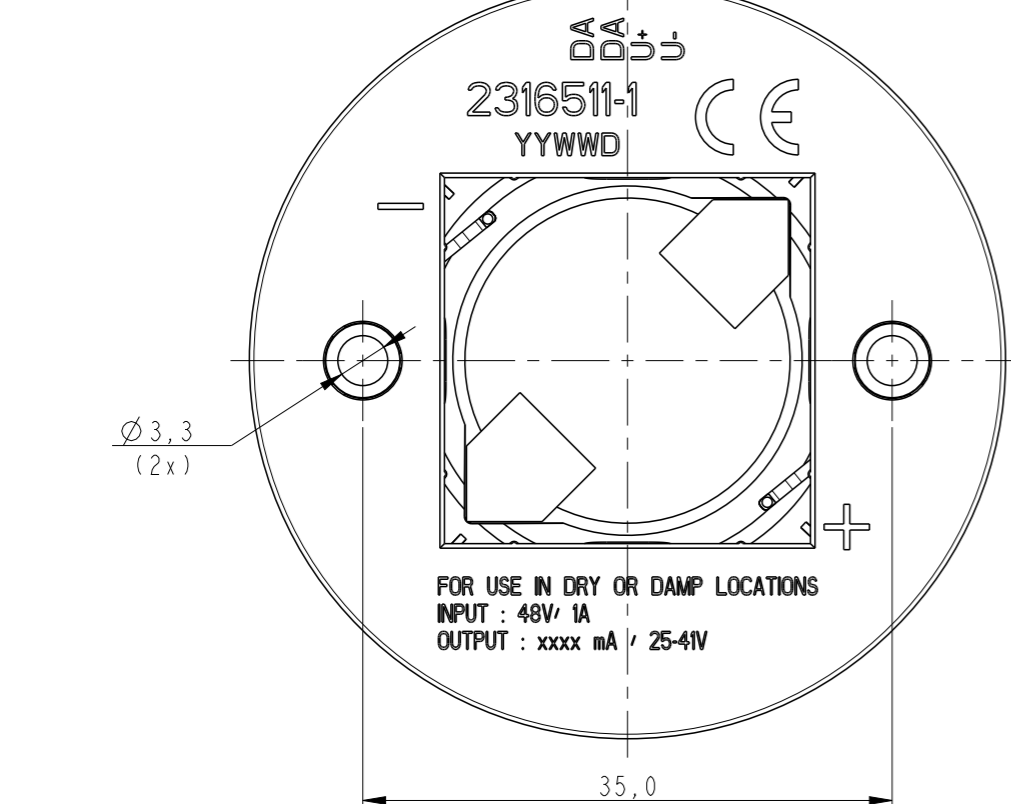
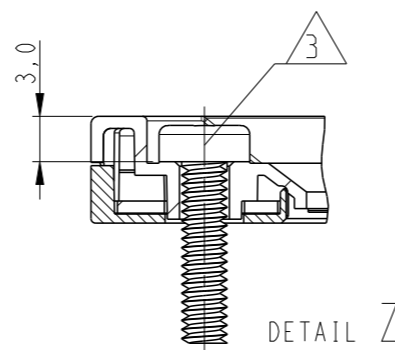
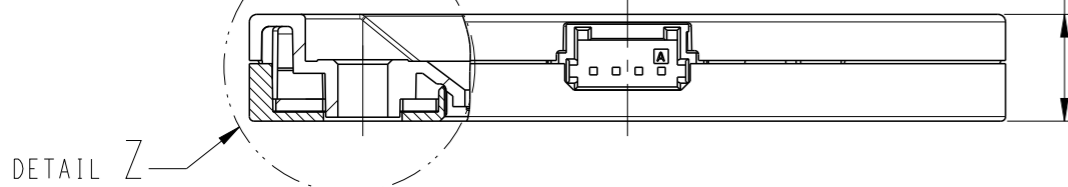
| P | LTR | DESCRIPTION | DATE | DWN | APVD |
|----|-----|---------------------------|-----------|-----|------|
| A1 | | REVISED PER ECR-19-007053 | 02MAY2019 | SS | MG |

NOTES:

- MATERIALS:
HOUSING: GLASS FILLED PBT, HALOGEN FREE FLAME RETARDANT
COLOR : NATURAL
CONTACTS: GOLD PLATED COPPER ALLOY
- PRODUCT COMPLIES WITH RESTRICTION ON HAZARDOUS SUBSTANCES DIRECTIVE 2011/65/EU
- SCREW TO BE USED - PAN HEAD M3, #4-40, LENGTH 12mm MIN. RECOMMENDED SCREW TORQUE: 0.4 - 0.6 Nm
- LED RETENTION ON 2 CORNERS WITH DOUBLE SIDED ADHESIVE TAPE.
- MATING CONNECTOR TE PART NO: 353908-4 OR 2-353908-4 OR 6-353908-4
- DIMENSIONS SHOWN ARE IN MATED POSITION WITH LED
- SEE SHEET 3 FOR RECOMMENDED PIN LAYOUT & ADDITIONAL INFORMATION
- ELECTRICAL RATINGS:
- USE WITH A 48V DC CONSTANT VOLTAGE CLASS 2 POWER SUPPLY, ±10% TOLERANCE
- LED FORWARD VOLTAGE HAVE THE FOLLOWING RANGE: 25 - 41VDC.



SECTION A-A



PRODUCT DATA SHEET 1-1773935-6 FOR ADDITIONAL INFORMATION

| CURRENT (mA) | LED TYPE | DESCRIPTION | WEIGHT (g) | GTIN NO | PART NO |
|--------------|----------|--------------------|------------|---------------|-------------|
| 1050 | 16x19 | DALI, 1.05A, 16x19 | 9.48 | 9421027422254 | 3-2316511-4 |
| | 19x19 | DALI, 1.05A, 19x19 | 9.38 | 9421027422247 | 3-2316511-3 |
| | 20x24 | DALI, 1.05A, 20x24 | 9.33 | 9421027422230 | 3-2316511-2 |
| 700 | 24x24 | DALI, 1.05A, 24x24 | 9.09 | 9421027422223 | 3-2316511-1 |
| | 16x19 | DALI, 0.7A, 16x19 | 9.48 | 9421027422216 | 2-2316511-4 |
| | 19x19 | DALI, 0.7A, 19x19 | 9.38 | 9421027422209 | 2-2316511-3 |
| 500 | 20x24 | DALI, 0.7A, 20x24 | 9.33 | 9421027422193 | 2-2316511-2 |
| | 24x24 | DALI, 0.7A, 24x24 | 9.09 | 9421027422186 | 2-2316511-1 |
| | 16x19 | DALI, 0.5A, 16x19 | 9.48 | 9421027422179 | 1-2316511-4 |
| 350 | 19x19 | DALI, 0.5A, 19x19 | 9.38 | 9421027422162 | 1-2316511-3 |
| | 20x24 | DALI, 0.5A, 20x24 | 9.33 | 9421027422155 | 1-2316511-2 |
| | 24x24 | DALI, 0.5A, 24x24 | 9.09 | 9421027422148 | 1-2316511-1 |
| 350 | 16x19 | DALI, 0.35A, 16x19 | 9.48 | 9421027422131 | 2316511-4 |
| | 19x19 | DALI, 0.35A, 19x19 | 9.38 | 9421027422124 | 2316511-3 |
| | 20x24 | DALI, 0.35A, 20x24 | 9.33 | 9421027422117 | 2316511-2 |
| | 24x24 | DALI, 0.35A, 24x24 | 9.09 | 9421027422100 | 2316511-1 |

THIS DRAWING IS A CONTROLLED DOCUMENT.

DIMENSIONS: mm

TOLERANCES UNLESS OTHERWISE SPECIFIED:

| | |
|--------|------|
| 0 PLC | ±- |
| 1 PLC | ±0.2 |
| 2 PLC | ±0.1 |
| 3 PLC | ±- |
| 4 PLC | ±- |
| ANGLES | ±- |
| FINISH | - |

MATERIAL: SEE NOTES

THIS DRAWING IS A CONTROLLED DOCUMENT.

DWN: SUBHASH.M 22NOV2017

CHK: MARCO.Z 22NOV2017

APVD: O.IEIJNSE 15DEC2017

PRODUCT SPEC: 108-133109

APPLICATION SPEC: 114-133109

WEIGHT: SEE TABLE

CUSTOMER DRAWING

NAME: LUMAWISE DRIVE TYPE Z50, DALI VERSION

SIZE: A3

CAGE CODE: 00779

DRAWING NO: C-2316511

RESTRICTED TO: -

SCALE: 2:1

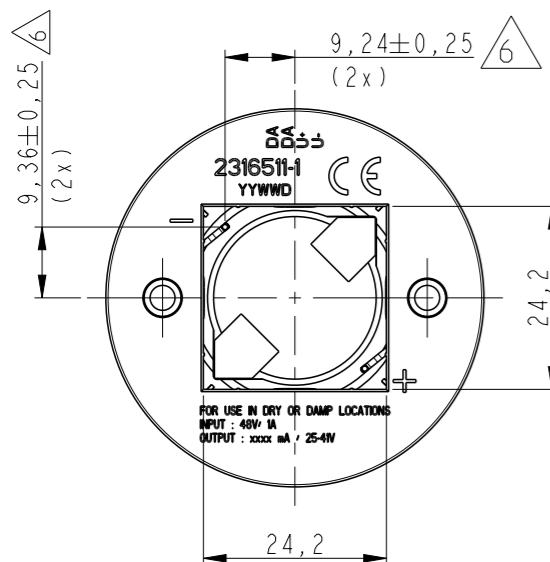
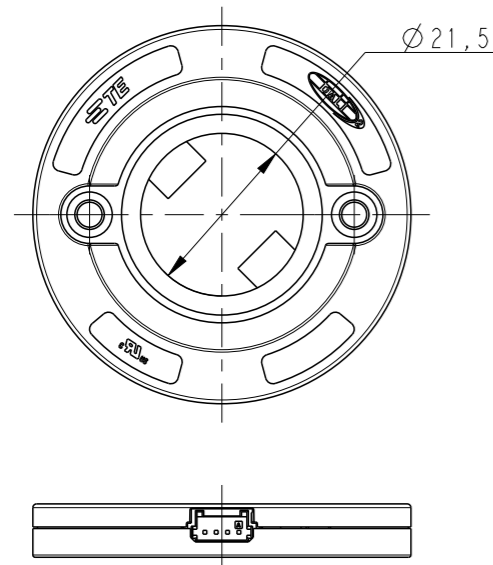
SHEET: 1 OF 4

REV: A1

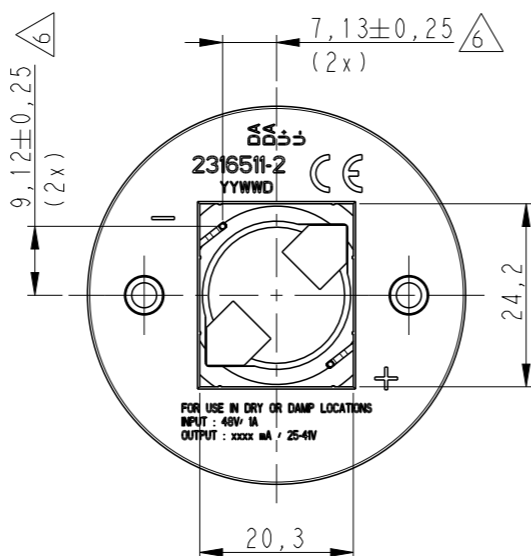
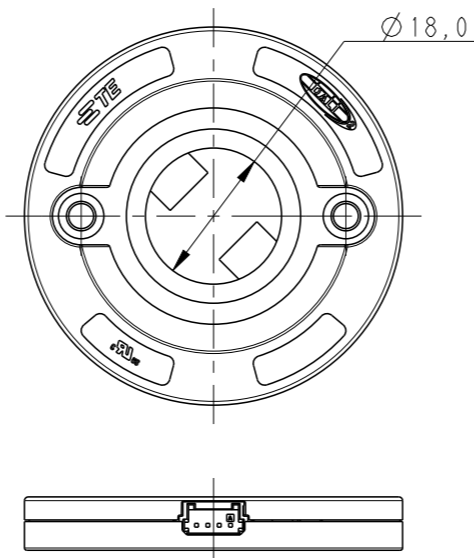
REVISIONS

| P | LTR | DESCRIPTION | DATE | DWN | APVD |
|---|-----|-------------|------|-----|------|
| - | - | SEE SHEET 1 | - | - | - |

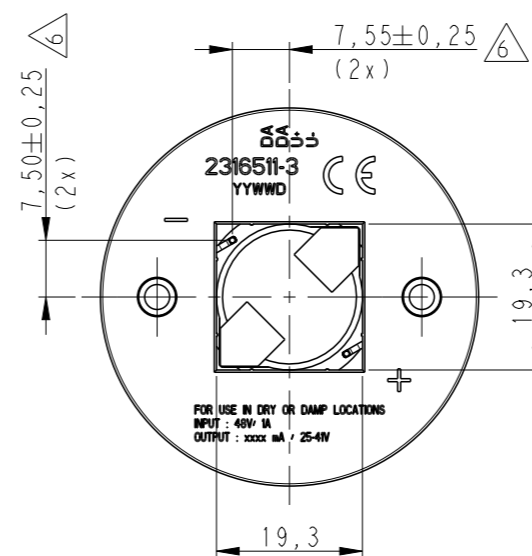
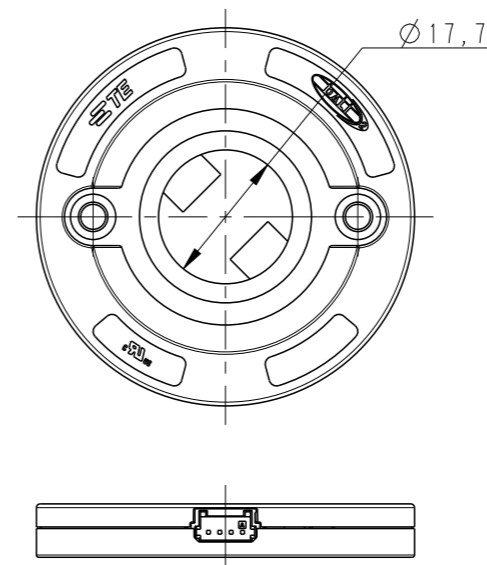
AS SHOWN 2316511-1
SCALE 1:1



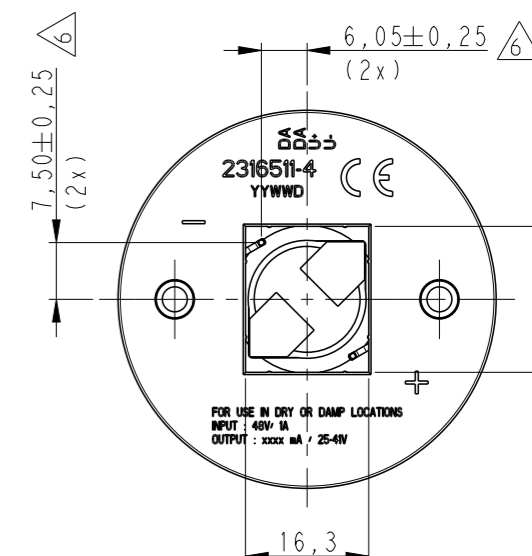
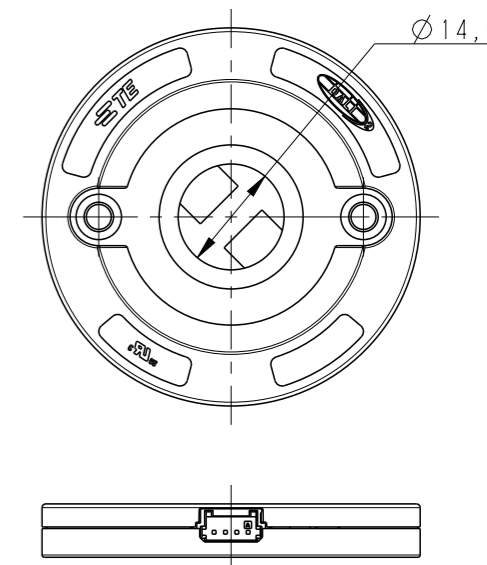
AS SHOWN 2316511-2
SCALE 1:1



AS SHOWN 2316511-3
SCALE 1:1



AS SHOWN 2316511-4
SCALE 1:1



THIS DRAWING IS A CONTROLLED DOCUMENT.

| | |
|-----------------------|--|
| DIMENSIONS: mm | TOLERANCES UNLESS OTHERWISE SPECIFIED: |
| | 0 PLC ±- |
| | 1 PLC ±0.2 |
| | 2 PLC ±0.1 |
| | 3 PLC ±- |
| | 4 PLC ±- |
| | ANGLES ±- |
| MATERIAL SEE NOTES | FINISH - |

| | | |
|------------------|------------|-----------|
| DWN | SUBHASH.M | 22NOV2017 |
| CHK | MARCO.Z | 22NOV2017 |
| APVD | O.IEIJNSE | 15DEC2017 |
| PRODUCT SPEC | 108-133109 | |
| APPLICATION SPEC | 114-133109 | |
| WEIGHT | SEE TABLE | |
| CUSTOMER DRAWING | | |

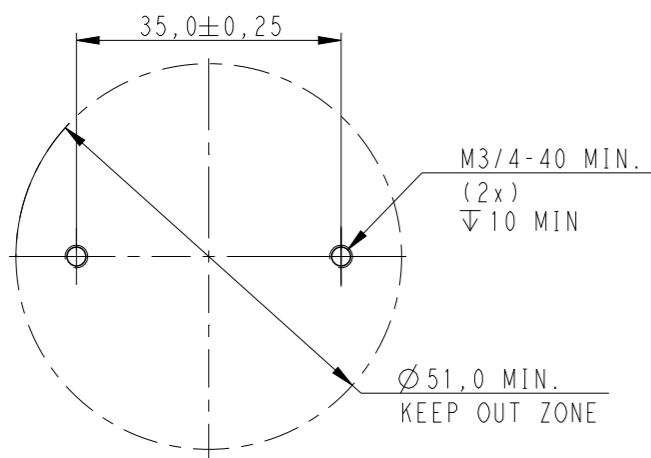


| | | | |
|--|-----------|------------|---------------|
| NAME LUMAWISE DRIVE TYPE Z50, DALI VERSION | | | |
| SIZE | CAGE CODE | DRAWING NO | RESTRICTED TO |
| A3 | 00779 | C-2316511 | - |
| SCALE | | SHEET | REV |
| 2:1 | | 2 OF 4 | A1 |

REVISIONS

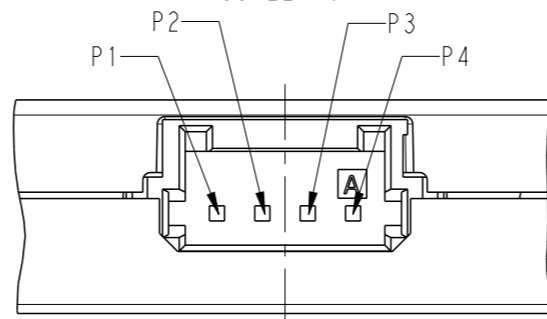
| P | LTR | DESCRIPTION | DATE | DWN | APVD |
|---|-----|-------------|------|-----|------|
| - | | SEE SHEET 1 | - | - | - |

RECOMMENDED DRILLING HOLE PATTERN



PIN LAYOUT

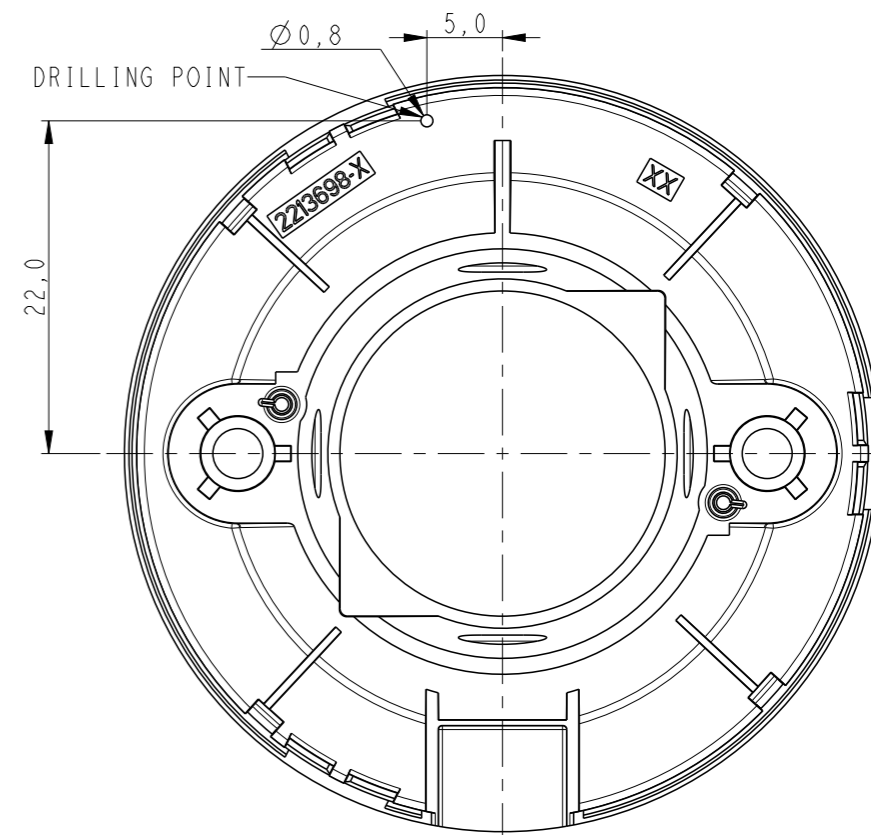
SCALE 4:1



| | | |
|----|---------------|----|
| P1 | DALI (+) | DA |
| P2 | DALI (-) | DA |
| P3 | 48VIN (+) | U+ |
| P4 | 48VIN (-) GND | U- |

DRILLING LOCATION FOR Tc TESTING

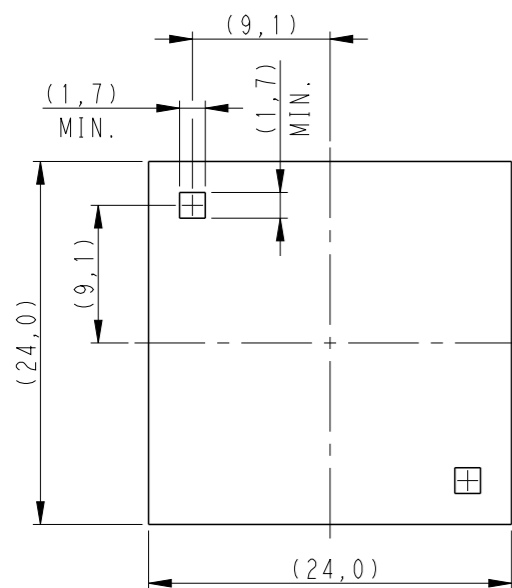
ONLY TOP COVER SHOWN



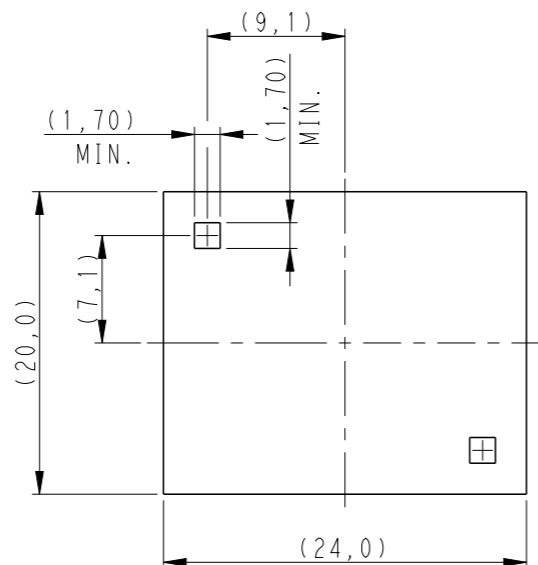
NOMINAL LED INFO:

THE SKETCH BELOW IS SHOWING THE ZHAGA BOOK 12 COB DIMENSIONS TO MATCH WITH THE LUMAWISE DRIVE TYPE Z50 LED HOLDER

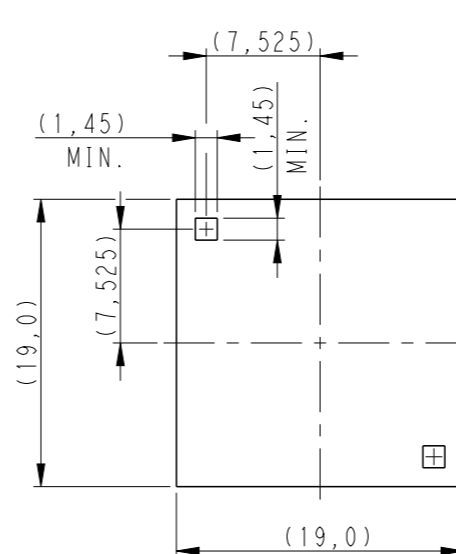
24x24 LAYOUT



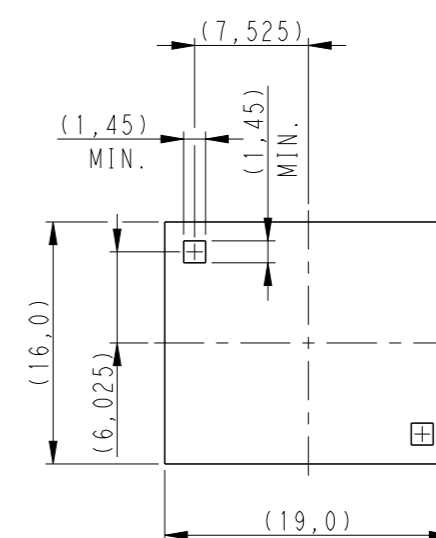
20x24 LAYOUT



19x19 LAYOUT



16x19 LAYOUT



THIS DRAWING IS A CONTROLLED DOCUMENT.

DWN SUBHASH.M 22NOV2017

CHK MARCO.Z 22NOV2017

APVD O.IEIJNSE 15DEC2017

PRODUCT SPEC 108-133109

APPLICATION SPEC 114-133109

WEIGHT SEE TABLE

CUSTOMER DRAWING



TE Connectivity

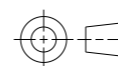
NAME LUMAWISE DRIVE TYPE Z50, DALI VERSION

SIZE A3 CAGE CODE 00779 DRAWING NO. C-2316511 RESTRICTED TO -

SCALE 2:1 SHEET 3 OF 4 REV A1

DIMENSIONS:

mm



TOLERANCES UNLESS OTHERWISE SPECIFIED:

| | |
|--------|------|
| 0 PLC | ±- |
| 1 PLC | ±0.2 |
| 2 PLC | ±0.1 |
| 3 PLC | ±- |
| 4 PLC | ±- |
| ANGLES | ±- |
| FINISH | - |

MATERIAL SEE NOTES

THIS DRAWING IS UNPUBLISHED.

RELEASED FOR PUBLICATION

2017

© COPYRIGHT 2017 BY -

ALL RIGHTS RESERVED.

REVISIONS

| P | LTR | DESCRIPTION | DATE | DWN | APVD |
|---|-----|-------------|------|-----|------|
| - | | SEE SHEET 1 | - | - | - |

| | | |
|--|-------------------------|-----------------|
| L2C5-xxxx1202E0900; L2C5-xxxx1203E0900 1202s; 120206xCx; 1202CRSP; 1203CRSP | LUMILEDS | 16x19 |
| NVCWL024Z; NFCWL060B-V1; NFCLL060B-V1; NFCWL036B-V1M3 | NICHIA | |
| LC040C | SAMSUNG | |
| BXRH-40E8000-J-23; BXRE-xxxxxxx-x-7x | BRIDGELUX | 19x19 |
| PB16H; PB16U; PB19H; PB19U; PB26U; PB26H | LEXTAR | |
| CLU038-1208C4; CLU721-1206C4; CLU710-1204C1; CLU711-1204C1; CLU034-1205C4; CLU036-1205C1; CLU032-1205A5-303M1A2; CLU720-1206C1; CLL030-1212A1-50KL1A1 | CITIZEN | |
| 2PHE20CW27P34001/2PHE30CW27P34001 2PHE20CW38P34001/2PHE30CW38P34002 HM CRI80 Series; HM CRI90 Series SL Series | EDISON OPTO | |
| EA1919 36V/26W Series | EVERLIGHT | |
| CHM-11/CXM11; CXM14/CHM14; CLM-14 Gen 3; CXM-11-XH00 | LUMINUS | |
| Soleriq 13 Gen 2 Soleriq 15 | OSRAM | |
| DMS124***G; DMC124/125***F; DMS125/126/128***G; DMC128***F; DMS099***F | PANASONIC | |
| SDW02F1C; SDWx3F1C | SEOUL | |
| SLE-G5-LES15 SLE-G5-LES17 | TRIDONIC | |
| LC016/19/26D; LC019D; LC026D | SAMSUNG | 20x24 |
| LHC1-3070-1205; L2C5-xxxx-1204 LHC1-xxxx1204; 1204CRSP; 1205CRSP; 1208CRSP; 1204; 1205; 1208 | LUMILEDS | |
| EAHP2024 | EVERLIGHT | |
| GW6TGBJC50C; GW5DGC**M04 | SHARP | |
| BXRE-xxxxxxx-x-7x | BRIDGELUX | 24x24 |
| Soleriq S19 GW KAHLB2.CM | OSRAM | |
| LED DESCRIPTION | MANUFACTURE NAME | LED TYPE |

LEDs COMPATIBILITY

| | | | | | | |
|--|--|--------------------------------|--|-----------|--------------|---------------|
| THIS DRAWING IS A CONTROLLED DOCUMENT. | | DWN 22NOV2017 SUBHASH.M | STE TE Connectivity | | | |
| DIMENSIONS: mm | | CHK 22NOV2017 MARCO.Z | | | | |
| TOLERANCES UNLESS OTHERWISE SPECIFIED: | | APVD 15DEC2017 O.IEIJNSE | NAME LUMAWISE DRIVE TYPE Z50, DALI VERSION | | | |
| 0 PLC ±- | | PRODUCT SPEC 108-133109 | | | | |
| 1 PLC ±0.2 | | APPLICATION SPEC 114-133109 | SIZE | CAGE CODE | DRAWING NO | RESTRICTED TO |
| 2 PLC ±0.1 | | WEIGHT SEE TABLE | A3 | 00779 | 2316511 | - |
| 3 PLC ±- | | CUSTOMER DRAWING | SCALE 5:1 | | SHEET 4 OF 4 | REV A1 |
| 4 PLC ±- | | | | | | |
| ANGLES ±- | | | | | | |
| FINISH | | | | | | |
| MATERIAL SEE NOTES | | | | | | |