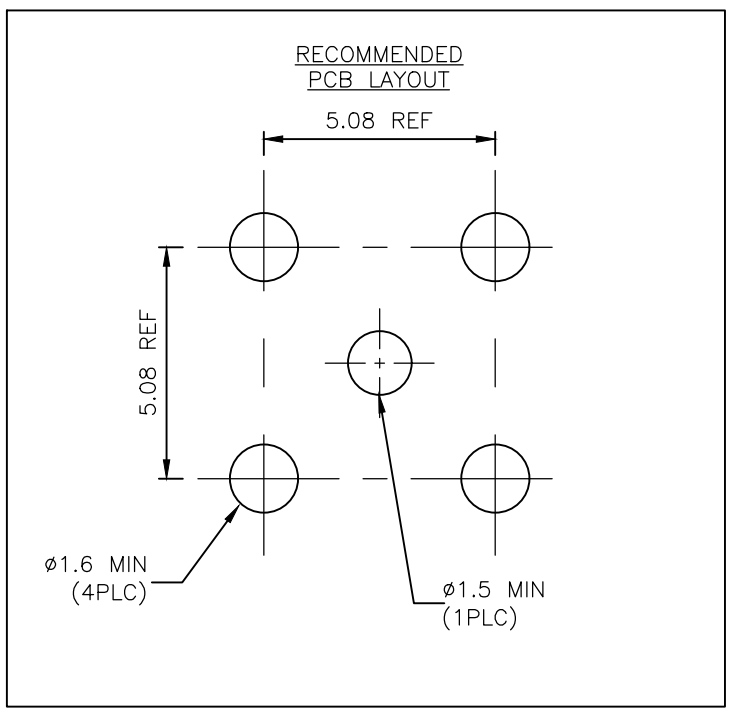
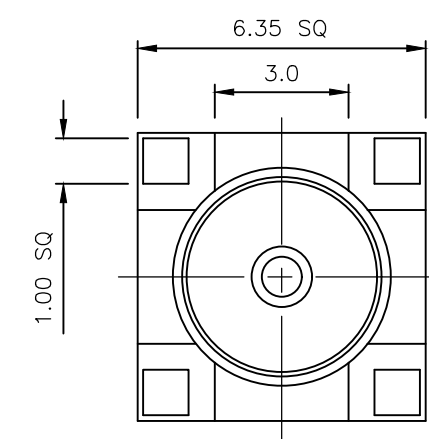
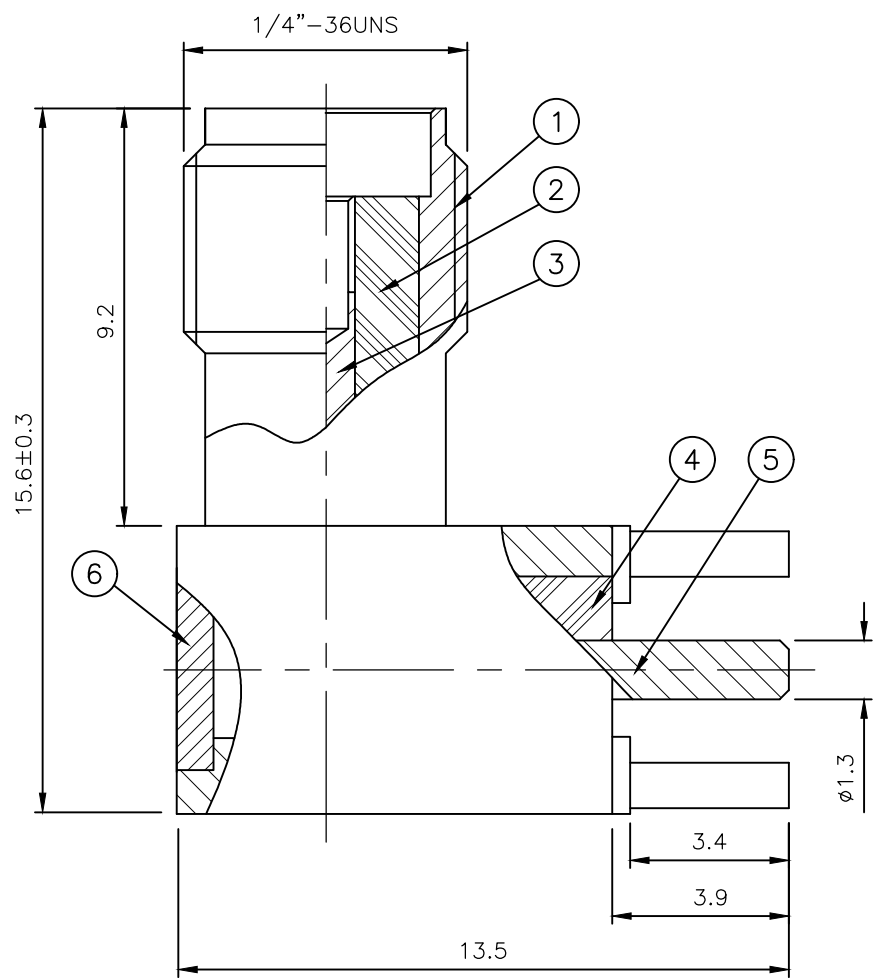


REVISIONS

P	LTR	DESCRIPTION	DATE	DWN	APVD
	F	ECR-19-009293	14JUN2019	RZ	RS

NOTES:

- 1. SINGLE PACK IN ACCORDANCE WITH SPEC 107-3275
- 2. 30 TRAY PACK IN ACCORDANCE WITH SPEC 107-3275
- 3. 0.08µm GOLD PLATING
- 4. 0.76µm GOLD PLATING
- 5. ELECTRICAL CHARACTERISTICS
 FREQUENCY RANGE:
 STAINLESS STEEL: DC-12.4GHz
 BRASS: DC-6GHz
 NOMINAL IMPEDANCE: 50 OHMS
 INSULATION RESISTANCE: 5000 MOHMS
 WORKING VOLTAGE: 500 VOLTS MAX.
 DIELECTRIC WITHSTAND VOLTAGE: 1000 VOLTS MAX.
 VSWR: 1.23 MAX.
 RETURN LOSS: DC..6GHz<=-19.73dB
 INSERTION LOSS: 0.1 dB MAX. @3 GHz
 CONTACT RESISTANCE: 3 mOHMS
 CENTRE CONTACT: 2 mOHMS
 OUTER CONTACT:
- 6. MECHANICAL CHARACTERISTICS
 DURABILITY: 500 CYCLES
 TORQUE SETTING 0.15-0.20 NM
- 7. ENVIRONMENTAL
 OPERATING TEMPERATURE: -65~+165°
- 8. FOR TECHNICAL DATA REFER TO YOUR LOCAL TE CONNECTIVITY SALES OFFICE
- 9. ALL DIMENSIONS ARE NOMINAL FOR REFERENCE ONLY UNLESS OTHERWISE STATED



QTY	QTY	QTY	QTY	MATERIAL	DESCRIPTION	ITEM
1	1	-	-	BRASS	ACCESS CAP	6
-	-	1	1	STAINLESS STEEL	ACCESS CAP	6
-	1	1	1	BRASS	PIN	5
1	-	-	-	BRASS	PIN	5
1	1	1	1	PTFE	INSULATOR	4
-	1	1	1	BERYLLIUM COPPER	SOCKET	3
1	-	-	-	PHOSPHOR BRONZE	SOCKET	3
1	1	1	1	PTFE	INSULATOR	2
1	1	-	-	BRASS	BODY	1
-	-	1	1	STAINLESS STEEL	BODY	1
3--1	3--0	1--1	1--0			
△	△	△	△			

THIS DRAWING IS A CONTROLLED DOCUMENT.

DWN J.SANDWELL 09DEC03
 CHK S.PARLOW 09DEC03
 APVD F.WHEELER-KING 09DEC03

STE TE Connectivity

NAME SMA RIGHT ANGLE PCB SOCKET RECEPTACLE

PRODUCT SPEC
 APPLICATION SPEC

SIZE A3 CAGE CODE 00779 DRAWING NO C-1478978 RESTRICTED TO

WEIGHT 0.000000

CUSTOMER DRAWING SCALE NTS SHEET 1 OF 1 REV F

DIMENSIONS:	TOLERANCES UNLESS OTHERWISE SPECIFIED:
mm	
0 PLC	± -
1 PLC	± 0.2
2 PLC	± 0.1
3 PLC	± -
4 PLC	± -
ANGLES	± 5°
MATERIAL	FINISH
SEE TABLE	-