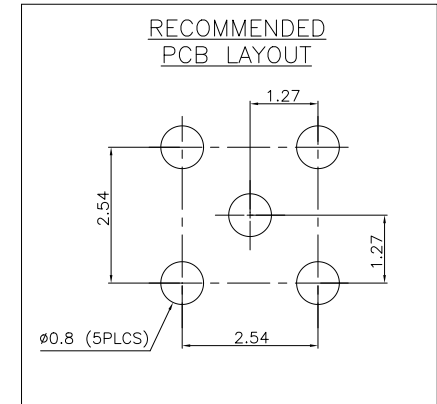
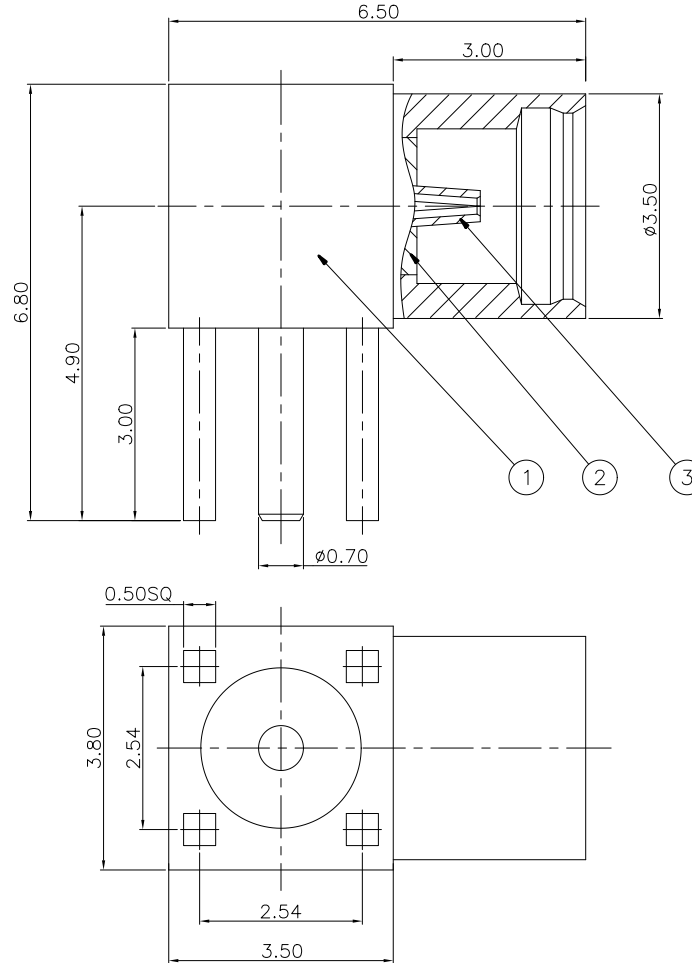


P	LTR	DESCRIPTION	DATE	DWN	APVD
E1		ECR-19-006127	10APR2019	RZ	RS

NOTES:

- 1 SINGLE PACK IN ACCORDANCE WITH AMP SPEC 107-3275
- 2 100 TRAY PACK IN ACCORDANCE WITH AMP SPEC 107-3275
- 3 Au0.05um PLATING OVER Ni1.27um PLATING OVER Cu1um PLATING
- 4 Au0.8um PLATING OVER Ni2.5um PLATING OVER Cu1um PLATING
- 5 Au0.08um PLATING OVER Ni2.5um PLATING OVER Cu1um PLATING
- 6. FOR TECHNICAL DATA REFER TO YOUR LOCAL TE CONNECTIVITY SALES OFFICE
- 7. ALL DIMENSIONS ARE NOMINAL FOR REFERENCE ONLY UNLESS OTHERWISE STATED



QUANTITY PER ASSY	PARTS LIST	
- 1 1 -	BERYLLIUM COPPER	SOCKET 3
1 - - 1	BERYLLIUM COPPER	SOCKET 3
1 1 1 1	PTFE	INSULATOR 2
- 1 1 -	BRASS	BODY 1
1 - - 1	BRASS	BODY 1
6--0 3--0 2--0 1--0	MATERIAL	DESCRIPTION ITEM

ELECTRICAL	MECHANICAL	ENVIRONMENTAL
Impedance (Ohm) <u>50</u>	Interface Dimension CECC 22 000	TEMPERATURE RANGE <u>-55°C TO +125°C</u>
Frequency Range (GHz) <u>DC to 6GHz</u>	Force to Engage and Disengage (N) Engage: <u>18 MAXI</u> Disengage: <u>6 MINI</u>	THERMAL SHOCK
Voltage Rating (Peak) <u>170 V RMS</u>	Center Contact Captivation Axial (N) <u>6.0</u> Radial (In/Oz) <u>N/A</u>	CORROSION <u>CECC22220, 4.6.10</u>
Insulation Resistance (MIN.) <u>1000 M ohms</u>	Cable Retention Axial (Lbs) <u>N/A</u>	VIBRATION <u>CECC22220, 4.6.3</u>
Contact Resistance (Milliohms MAX) Center Contact <u>5.0</u> Outer Contact <u>2.5</u>	Mating cycles <u>500</u> cycles	CLIMATIC SEQUENCE <u>CECC22220, 4.6.5</u>
Dielectric Withstand Voltage: <u>500 V RMS Max</u>		ROHS <u>COMPLIANT</u>
Insertion Loss : <u>N/A</u> dB		
VSWR: <u>1.35 MAXI</u> (GHz)		
RF leakage: <u>N/A</u>		
3rd Intermodulation: <u>N/A</u>		

THIS DRAWING IS A CONTROLLED DOCUMENT.		DWN J.SANDWELL 12NOV03
DIMENSIONS: mm		CHK S.PARLOW 12NOV03
TOLERANCES UNLESS OTHERWISE SPECIFIED:		APVD F.WHEELER-KING 12NOV03
0 PLC ± -		PRODUCT SPEC 108-2084
1 PLC ± -		APPLICATION SPEC
2 PLC ± 0.15		
3 PLC ± -		
4 PLC ± -		
ANGLES ± -		
MATERIAL SEE TABLE	FINISH SEE TABLE	WEIGHT 0

STE TE Connectivity			
NAME MMCX RIGHT ANGLE PCB MOUNT SOCKET RECEPTACLE 50 OHMS			
SIZE A3	CAGE CODE 00779	DRAWING NO C=1634010	RESTRICTED TO -
CUSTOMER DRAWING		SCALE NTS	SHEET 1 of 1
		REV E1	