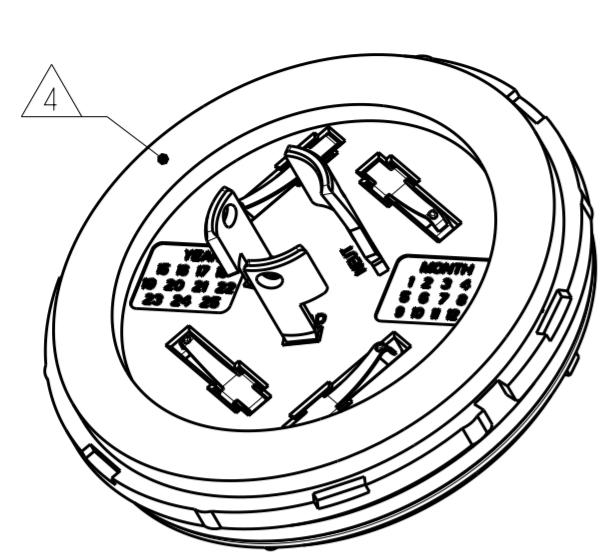
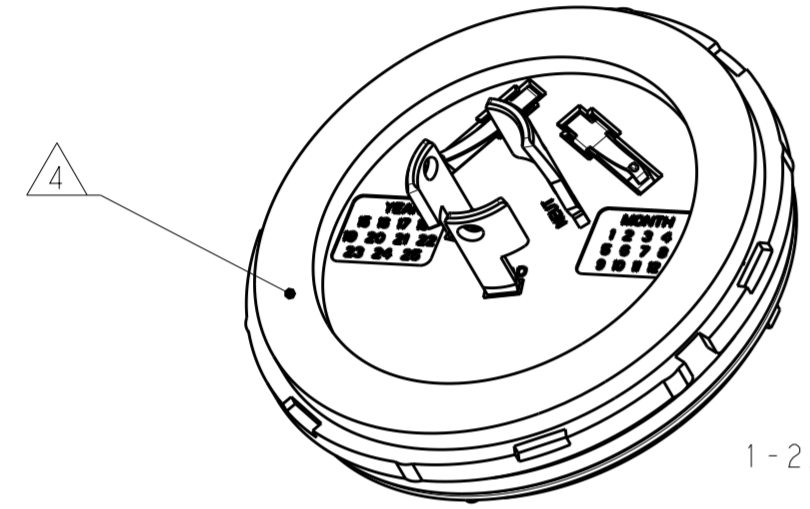
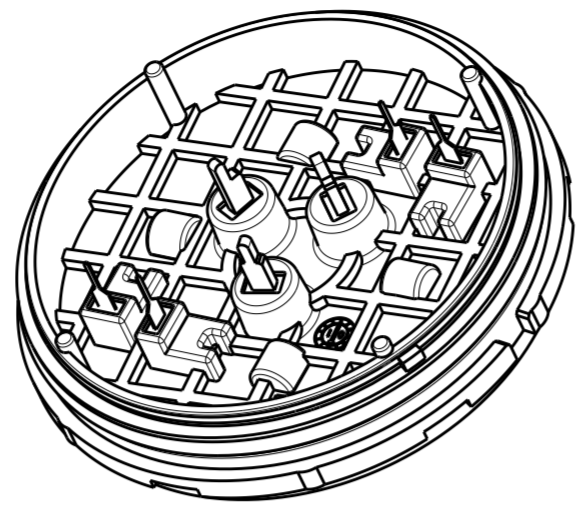


THIS DRAWING IS UNPUBLISHED. RELEASED FOR PUBLICATION 20  
 © COPYRIGHT 20 BY - ALL RIGHTS RESERVED.

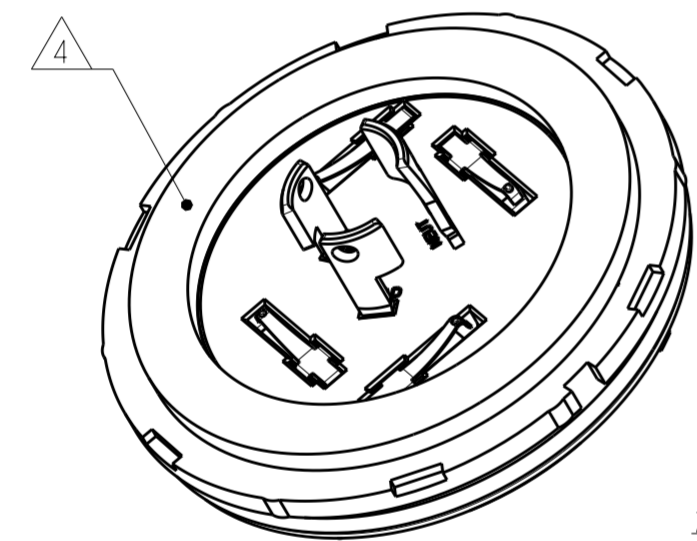
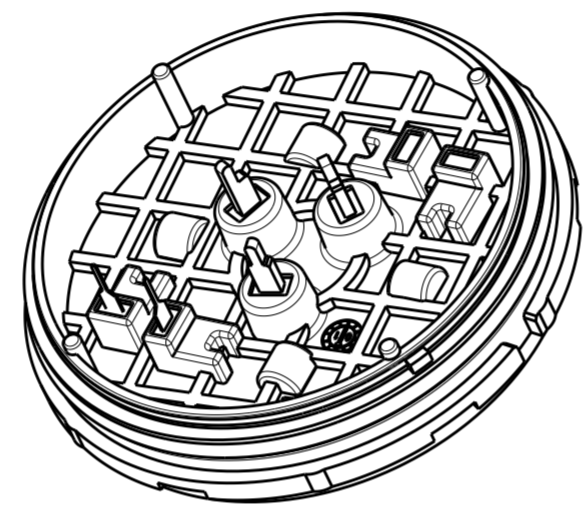
| REVISIONS |     |                           |           |     |      |
|-----------|-----|---------------------------|-----------|-----|------|
| P         | LTR | DESCRIPTION               | DATE      | DWN | APVD |
| A2        |     | REVISED PER ECO-18-007018 | 09MAY2018 | SR  | DD   |
| A3        |     | REVISED PER ECR-19-003969 | 12MAR2019 | JS  | DD   |
| A4        |     | REVISED PER ECR-19-008871 | 13JUN2019 | SR  | DD   |
| A5        |     | REVISED PER ECR-19-009651 | 12JUL2019 | SR  | DD   |



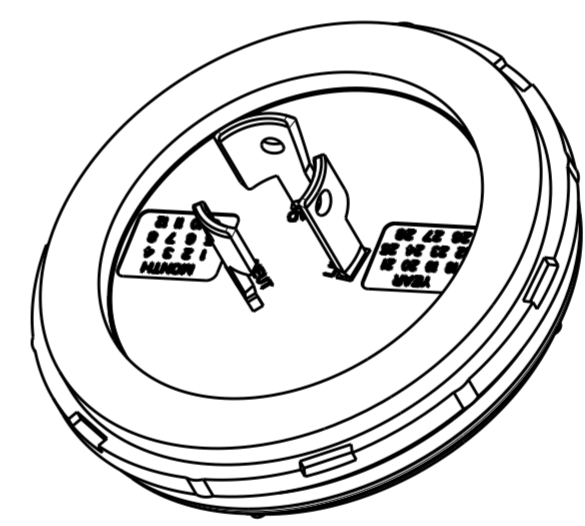
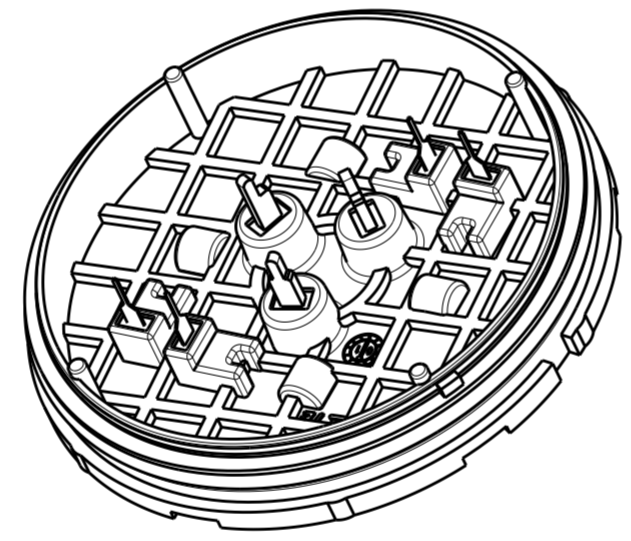
2213871-1 AND 2213871-2 SHOWN



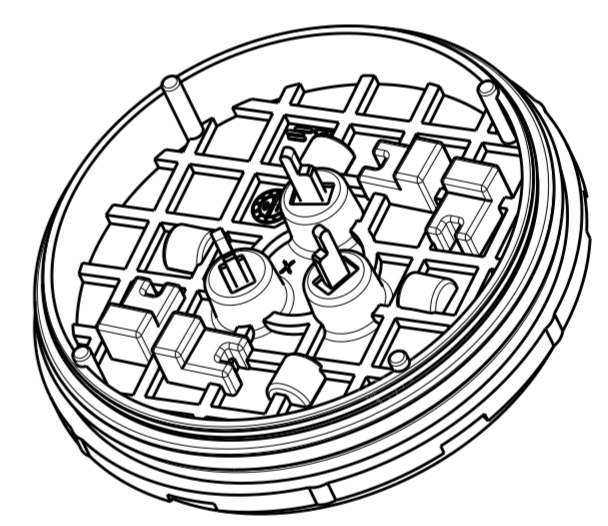
1-2213871-1 AND 1-2213871-2 SHOWN



2213871-3 SHOWN



1-2213871-3 SHOWN



- 1 MATERIALS:  
 HOUSING: PBT  
 DIMMING CONTACTS (QTY. 4): COPPER ALLOY  
 LINE VOLTAGE CONTACTS (QTY. 3): COPPER ALLOY  
 GASKET: VINYL/NITRILE FOAM  
 O-RING: SILICONE RUBBER
- 2 FINISH:  
 DIMMING CONTACTS: NICKEL UNDERPLATE ENTIRE  
 CONTACT 0.127 µm MIN THICK. SELECTIVE GOLD PLATE CONTACT  
 MATING AREA (MATING FACE SIDE ONLY) 0.76 µm MIN THICK.  
 MATTE TIN PLATE TAB ON BOTH SIDES 0.30 µm MIN THICK.  
 LINE VOLTAGE CONTACTS: MATTE TIN PLATE
- 3 MATING INTERFACE PER ANSI C136.41-2013.
- 4 ADHESIVE BACKED GASKET SUPPLIED BUT NOT INSTALLED.
- 5 ADDITIONAL COVERS AND SLEEVES OF VARIOUS HEIGHTS ARE AVAILABLE. CONTACT TE CONNECTIVITY FOR MORE OPTIONS.
- 6. NOTE DELETED.
- 7. THIS PRODUCT HAS NOT COMPLETED VALIDATION TESTING.

|                             |                            |                   |        |        |        |        |                       |                        |        |        |             |
|-----------------------------|----------------------------|-------------------|--------|--------|--------|--------|-----------------------|------------------------|--------|--------|-------------|
| 2213805-X                   | 2213748-X                  | 3                 | Ø77.00 | Ø76.96 | Ø64.50 | Ø65.00 | Ø66.75                | Ø71.23                 | Ø72.00 | Ø76.00 | 1-2213871-3 |
| 2213996-X                   | 2306130-X                  | 5                 | Ø82.24 | Ø78.54 | Ø69.80 | Ø70.70 | Ø72.25                | Ø77.53                 | Ø77.74 | Ø81.15 | 1-2213871-2 |
| 2213805-X                   | 2213748-X                  | 5                 | Ø77.00 | Ø76.96 | Ø64.50 | Ø65.00 | Ø66.75                | Ø71.23                 | Ø72.00 | Ø76.00 | 1-2213871-1 |
| 2213996-X                   | 2306130-X                  | 7                 | Ø82.24 | Ø78.54 | Ø69.80 | Ø70.70 | Ø72.25                | Ø77.53                 | Ø77.74 | Ø81.15 | 2213871-3   |
| 2213996-X                   | 2306130-X                  | 7                 | Ø82.24 | Ø78.54 | Ø69.80 | Ø70.70 | Ø72.25                | Ø77.53                 | Ø77.74 | Ø81.15 | 2213871-2   |
| 2213805-X                   | 2213748-X                  | 7                 | Ø77.00 | Ø76.96 | Ø64.50 | Ø65.00 | Ø66.75                | Ø71.23                 | Ø72.00 | Ø76.00 | 2213871-1   |
| REPRESENTATIVE SLEEVE P/N 5 | REPRESENTATIVE COVER P/N 5 | CONTACT POSITIONS | DIM Y  | DIM X  | DIM P  | DIM N  | DIM M MAX WITH SLEEVE | DIM M MAX W/OUT SLEEVE | DIM F  | DIM E  | PART NO.    |

THIS DRAWING IS A CONTROLLED DOCUMENT.

|                  |            |              |
|------------------|------------|--------------|
| DWN              | J. SHAFFER | 23MAR2016    |
| CHK              | E. HOWARD  | 23MAR2016    |
| APVD             | -          | -            |
| PRODUCT SPEC     | 108-32125  |              |
| APPLICATION SPEC | 114-32159  |              |
| WEIGHT           | -          |              |
| CUSTOMER DRAWING | SCALE 2:1  | SHEET 1 OF 6 |

**STE** TE Connectivity

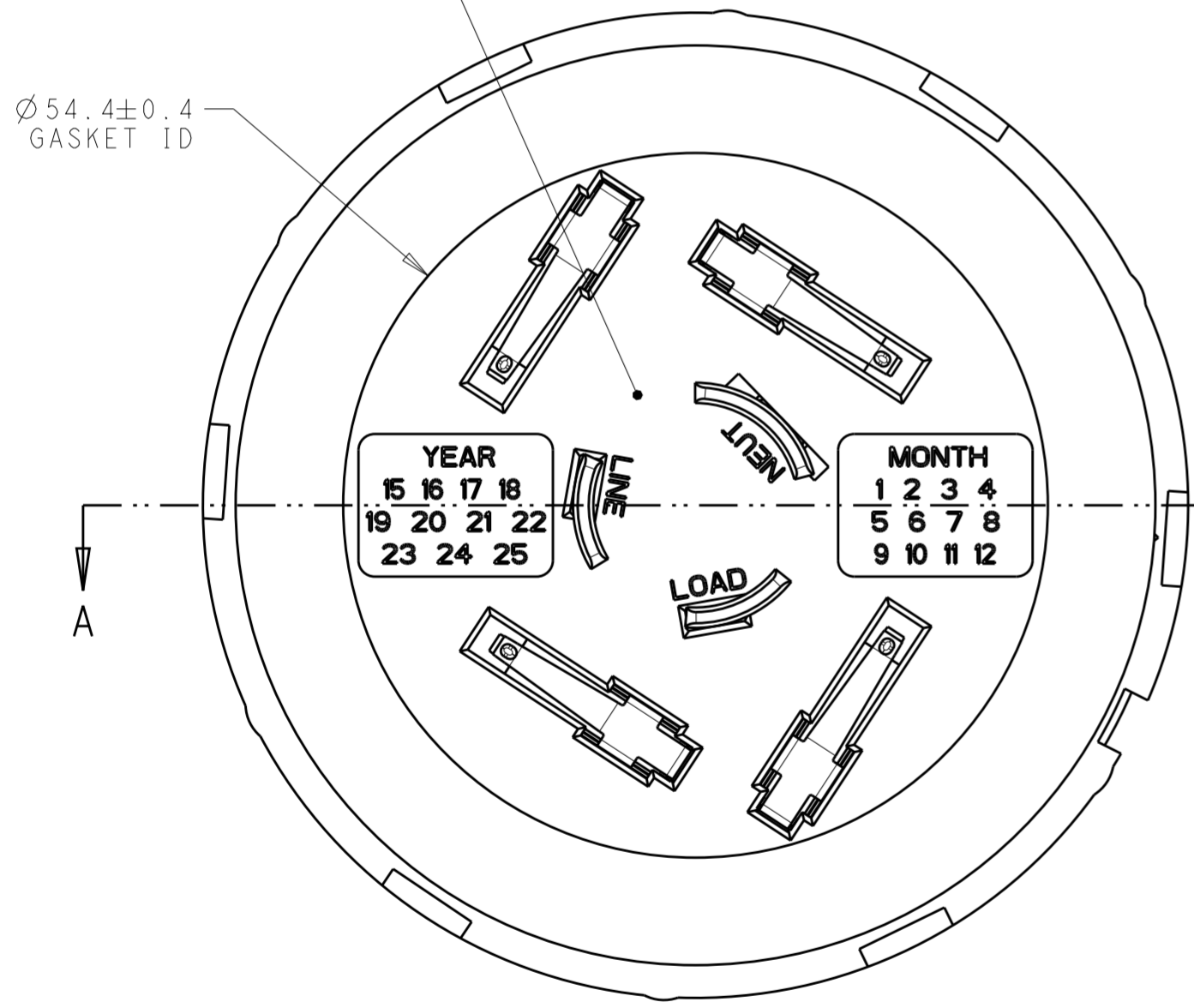
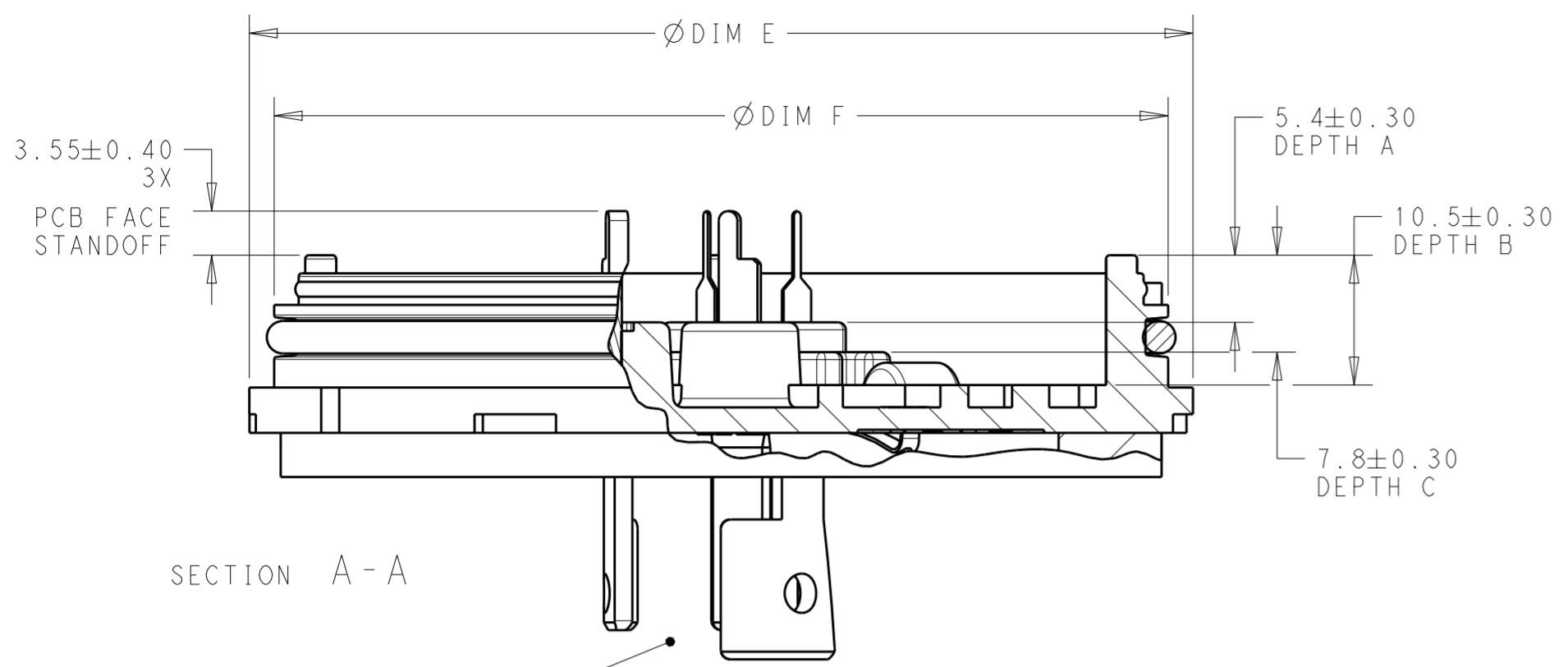
NAME: BASE ASSEMBLY, LIGHT CONTROLLER, SLEEVE COMPATIBLE

SIZE: A2 CAGE CODE: - DRAWING NO: C-2213871 RESTRICTED TO: -

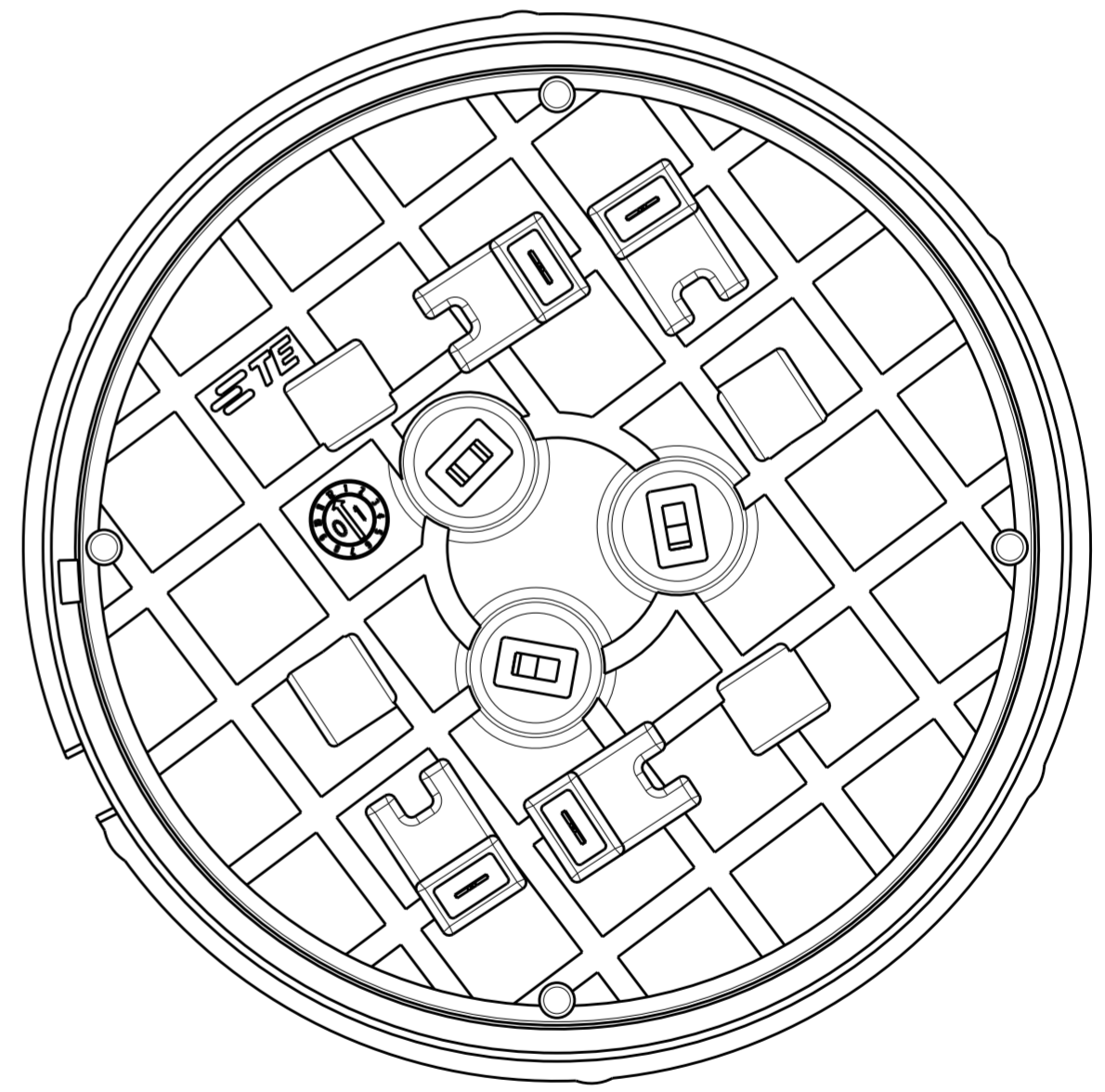
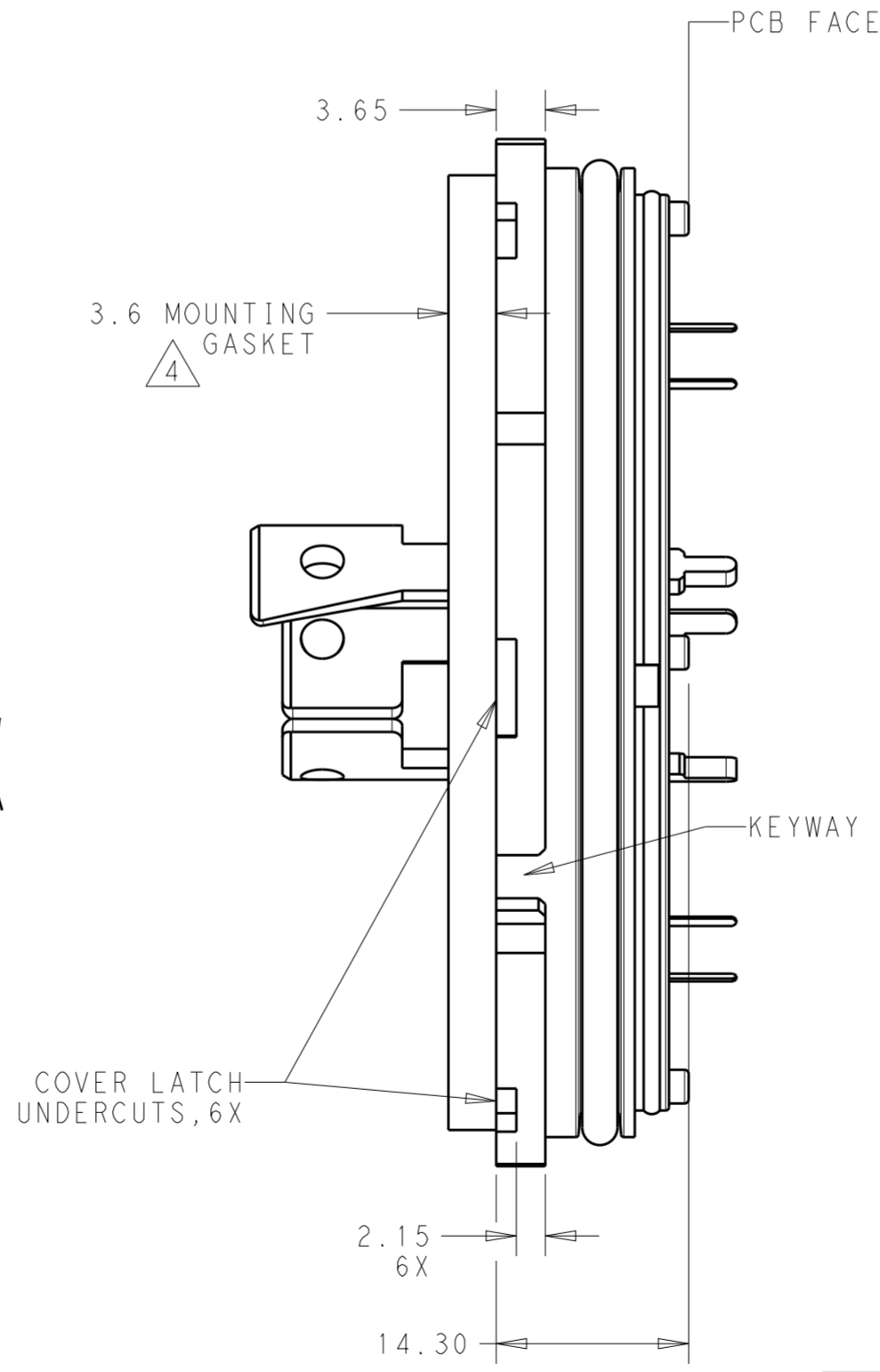
REV A5

THIS DRAWING IS UNPUBLISHED. RELEASED FOR PUBLICATION 20  
 © COPYRIGHT 20 BY - ALL RIGHTS RESERVED.

| REVISIONS |     |             |      |      |
|-----------|-----|-------------|------|------|
| P         | LTR | DESCRIPTION | DATE | APVD |
| -         | -   | SEE SHEET 1 | -    | -    |
|           |     |             |      |      |
|           |     |             |      |      |



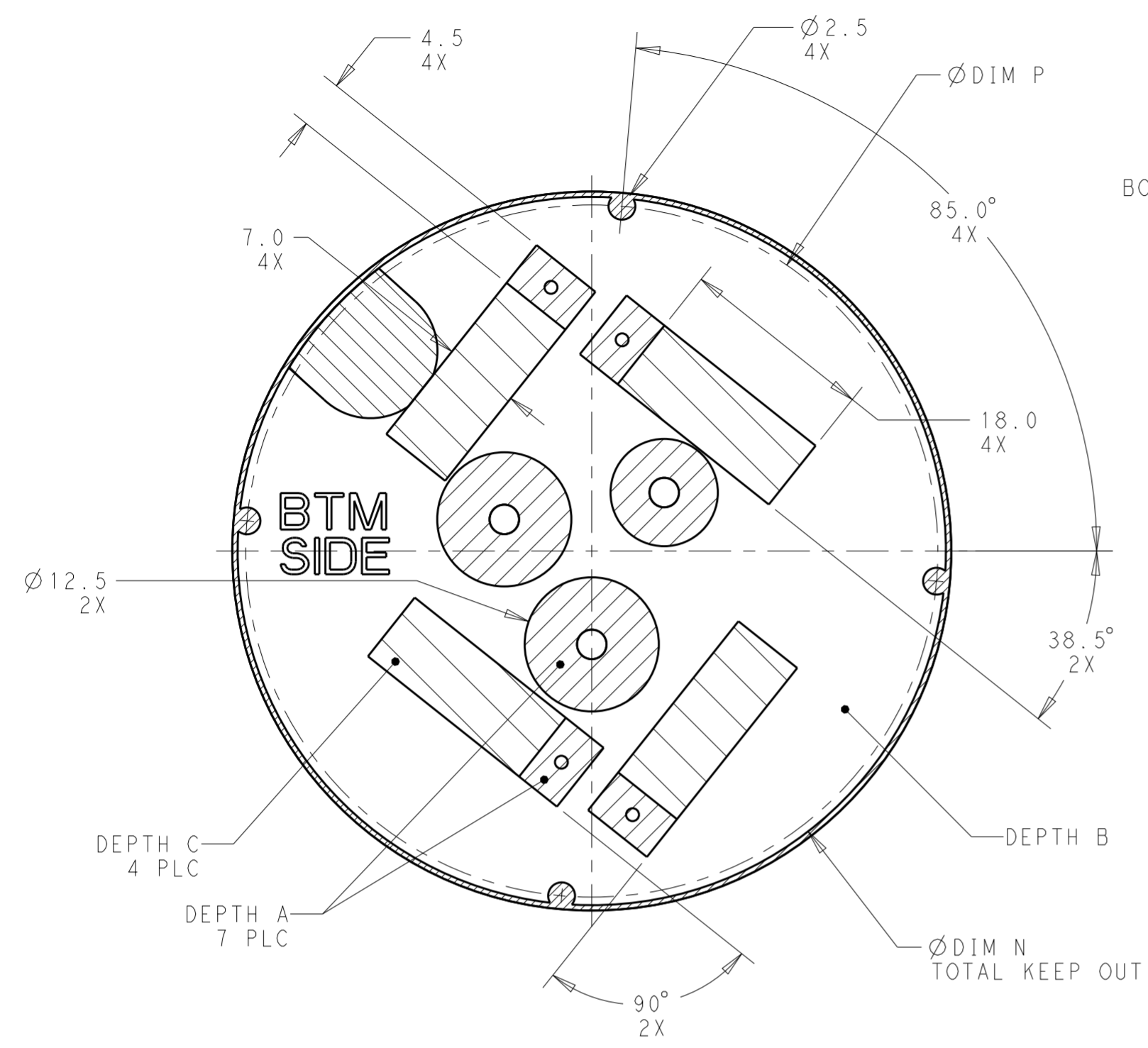
2213817-1 AND 2213871-2 SHOWN



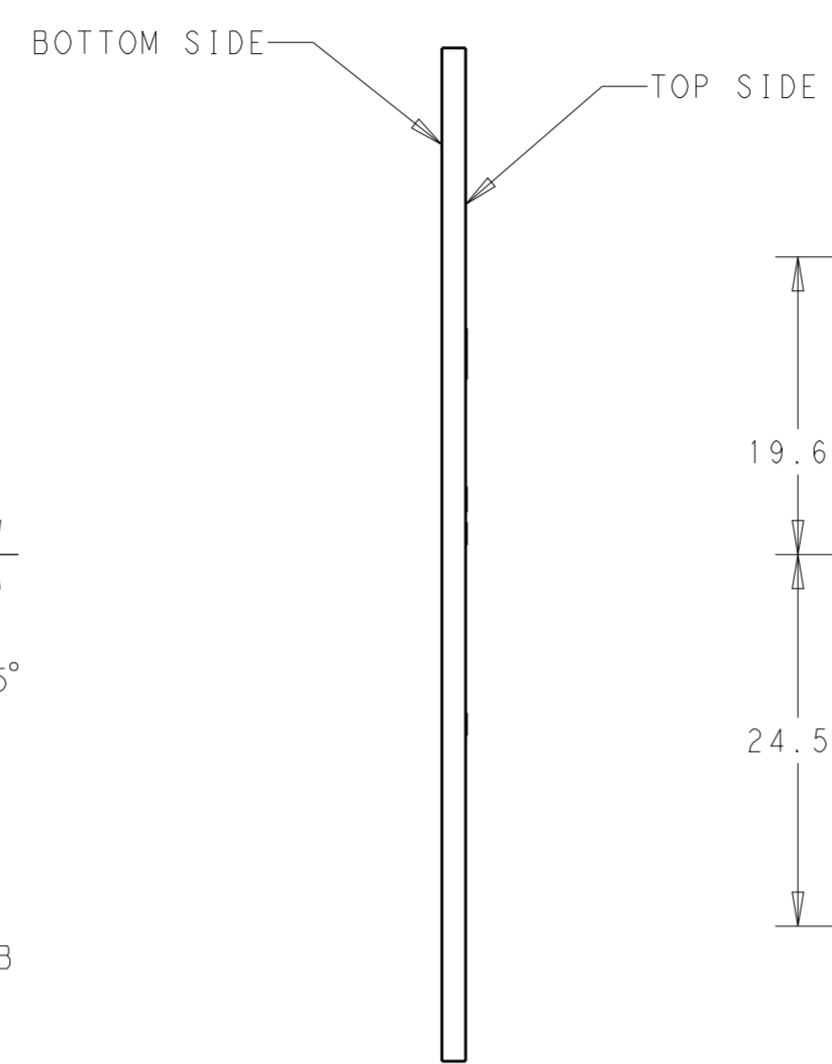
|  |  |                                |  |                          |
|--|--|--------------------------------|--|--------------------------|
| THIS DRAWING IS A CONTROLLED DOCUMENT. |  | DWN<br>J. SHAFFER<br>23MAR2016 | TE Connectivity  |                          |
|  |  | CHK<br>E. HOWARD<br>23MAR2016  |  |                          |
| DIMENSIONS:                            |  | APVD<br>-                      | NAME<br>BASE ASSEMBLY,<br>LIGHT CONTROLLER,<br>SLEEVE COMPATIBLE |                          |
| mm                                     | TOLERANCES UNLESS OTHERWISE SPECIFIED:                     | PRODUCT SPEC<br>108-32125      | SIZE<br>A2   |                          |
|  | 0 PLC ±<br>1 PLC ±0.2<br>2 PLC ±0.13<br>3 PLC ±<br>4 PLC ± | APPLICATION SPEC<br>114-32159  | CAGE CODE<br>-   | DRAWING NO.<br>G-2213871 |
| MATERIAL<br>-                          | ANGLES<br>FINISH ±3°                                       | WEIGHT<br>-                    | RESTRICTED TO<br>-   | SCALE<br>2:1             |
|  |  | CUSTOMER DRAWING               | SHEET<br>2 OF 6  | REV<br>A5                |

THIS DRAWING IS UNPUBLISHED. RELEASED FOR PUBLICATION 20  
 © COPYRIGHT 20 BY - ALL RIGHTS RESERVED.

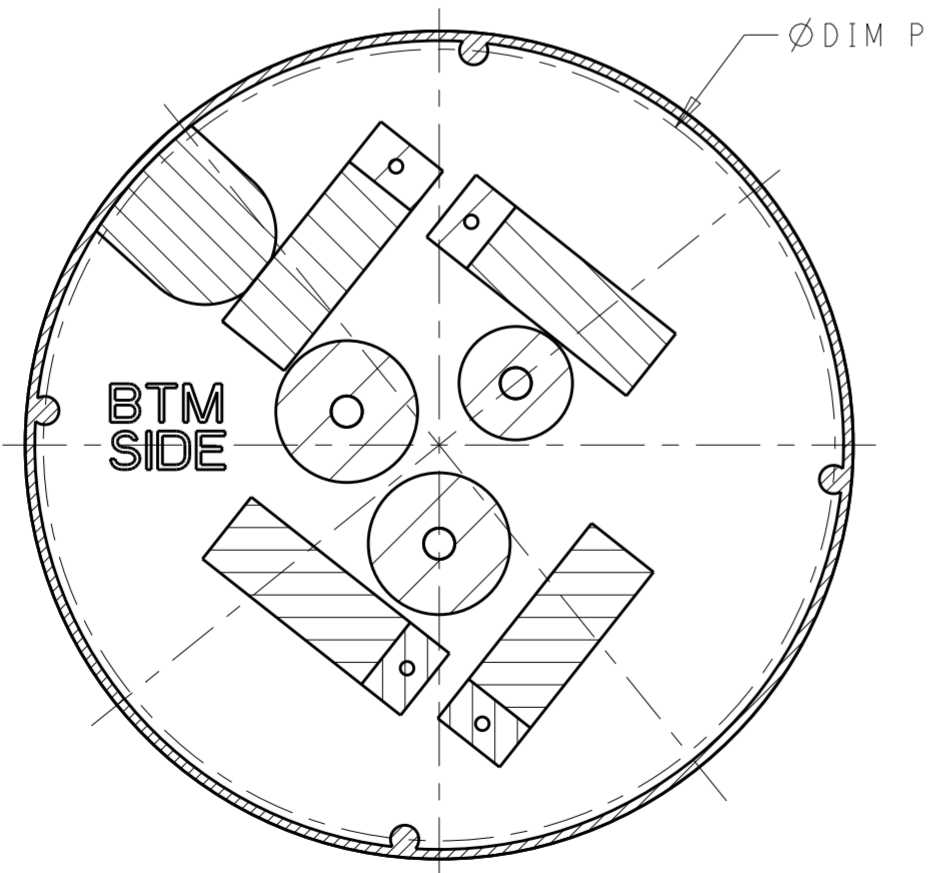
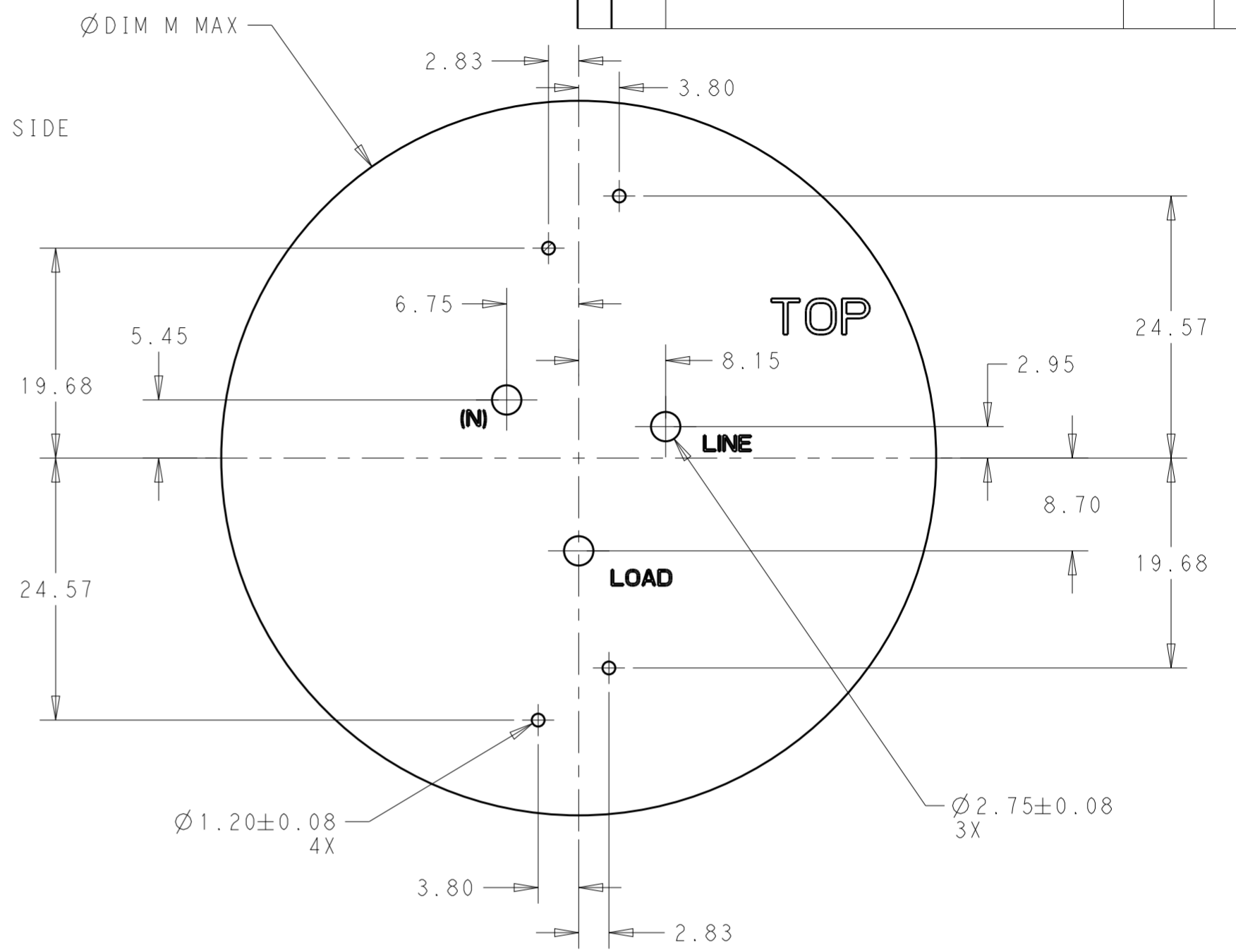
| REVISIONS |     |             |      |      |
|-----------|-----|-------------|------|------|
| P         | LTR | DESCRIPTION | DATE | APVD |
| -         | -   | SEE SHEET 1 | -    | -    |
|           |     |             |      |      |
|           |     |             |      |      |



COMPONENT KEEP OUT AREAS  
 2213871-1, 2213871-2 AND 2213871-3

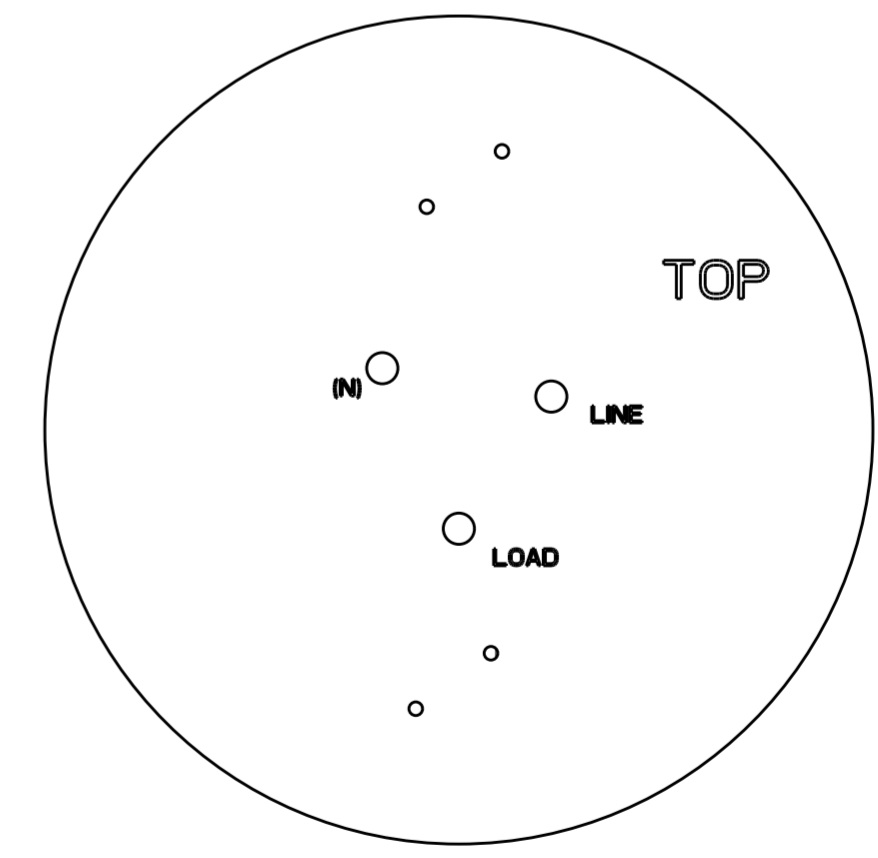


RECOMMENDED PCB  
 SCALE 2:1



COMPONENT KEEP OUT AREAS  
 1-2213871-1 AND 1-2213871-2

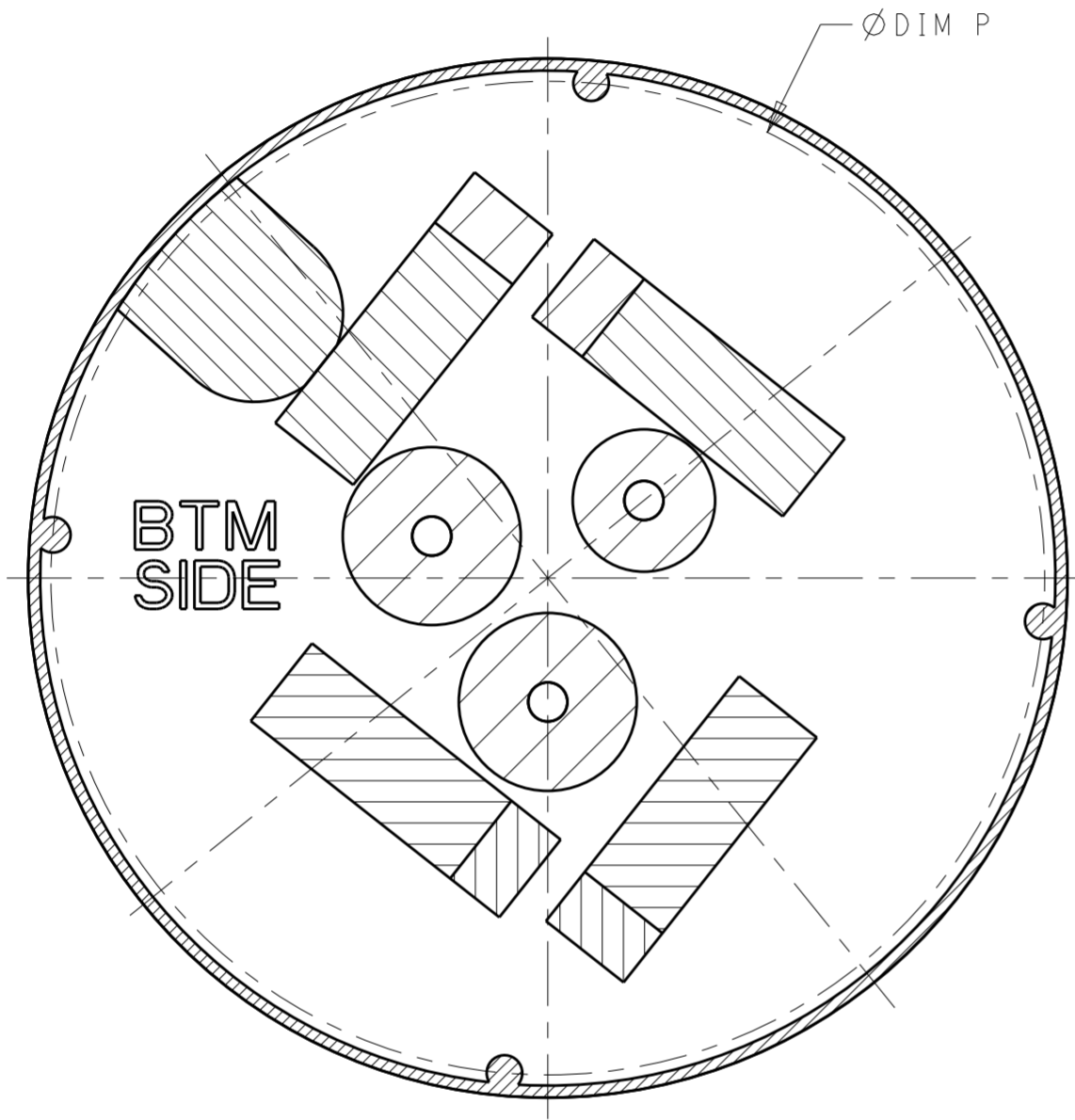
RECOMMENDED PCB  
 SCALE 3:2



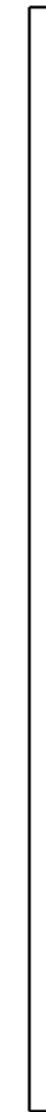
|  |  |                                |  |                |
|--|--|--------------------------------|--|----------------|
| THIS DRAWING IS A CONTROLLED DOCUMENT. |  | DWN<br>J. SHAFFER<br>23MAR2016 | TE Connectivity  |                |
|  |  | CHK<br>E. HOWARD<br>23MAR2016  |  |                |
| DIMENSIONS:                            |  | APVD<br>-                      | NAME<br>BASE ASSEMBLY,<br>LIGHT CONTROLLER,<br>SLEEVE COMPATIBLE |                |
| TOLERANCES UNLESS OTHERWISE SPECIFIED: |  | PRODUCT SPEC<br>108-32125      | RESTRICTED TO  |                |
| MATERIAL                               |  | APPLICATION SPEC<br>114-32159  | SIZE<br>A2   | CAGE CODE<br>- |
| FINISH                                 |  | WEIGHT                         | DRAWING NO<br>C-2213871  | SCALE<br>2:1   |
|  |  | CUSTOMER DRAWING               | SHEET<br>3 OF 6  | REV<br>A5      |

THIS DRAWING IS UNPUBLISHED. RELEASED FOR PUBLICATION 20  
 © COPYRIGHT 20 BY - ALL RIGHTS RESERVED.

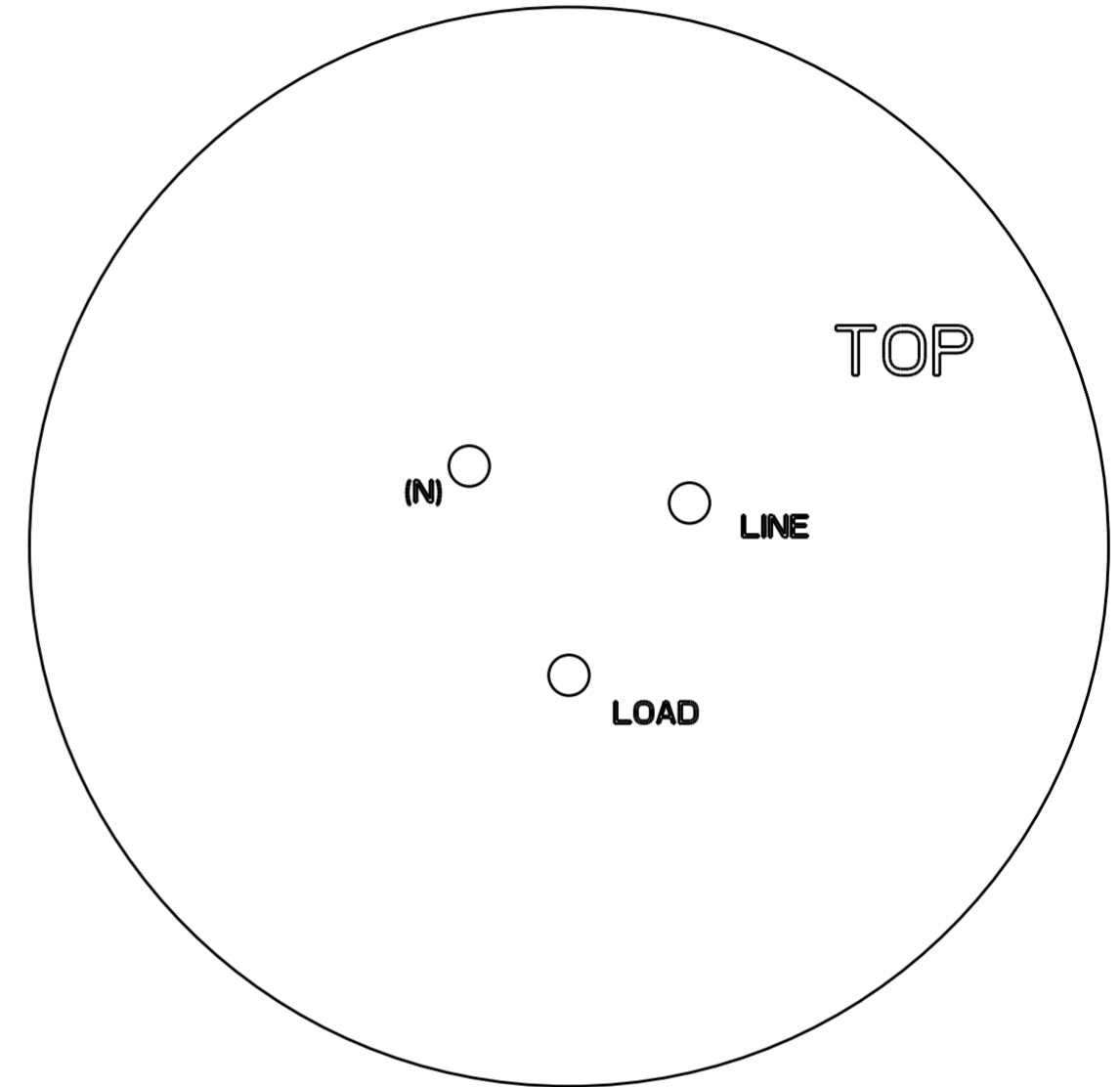
| REVISIONS |     |             |      |      |
|-----------|-----|-------------|------|------|
| P         | LTR | DESCRIPTION | DATE | APVD |
| -         |     | SEE SHEET 1 | -    | -    |
|           |     |             |      |      |
|           |     |             |      |      |


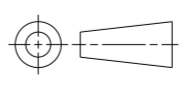


COMPONENT KEEP OUT AREAS  
 1-2213871-3

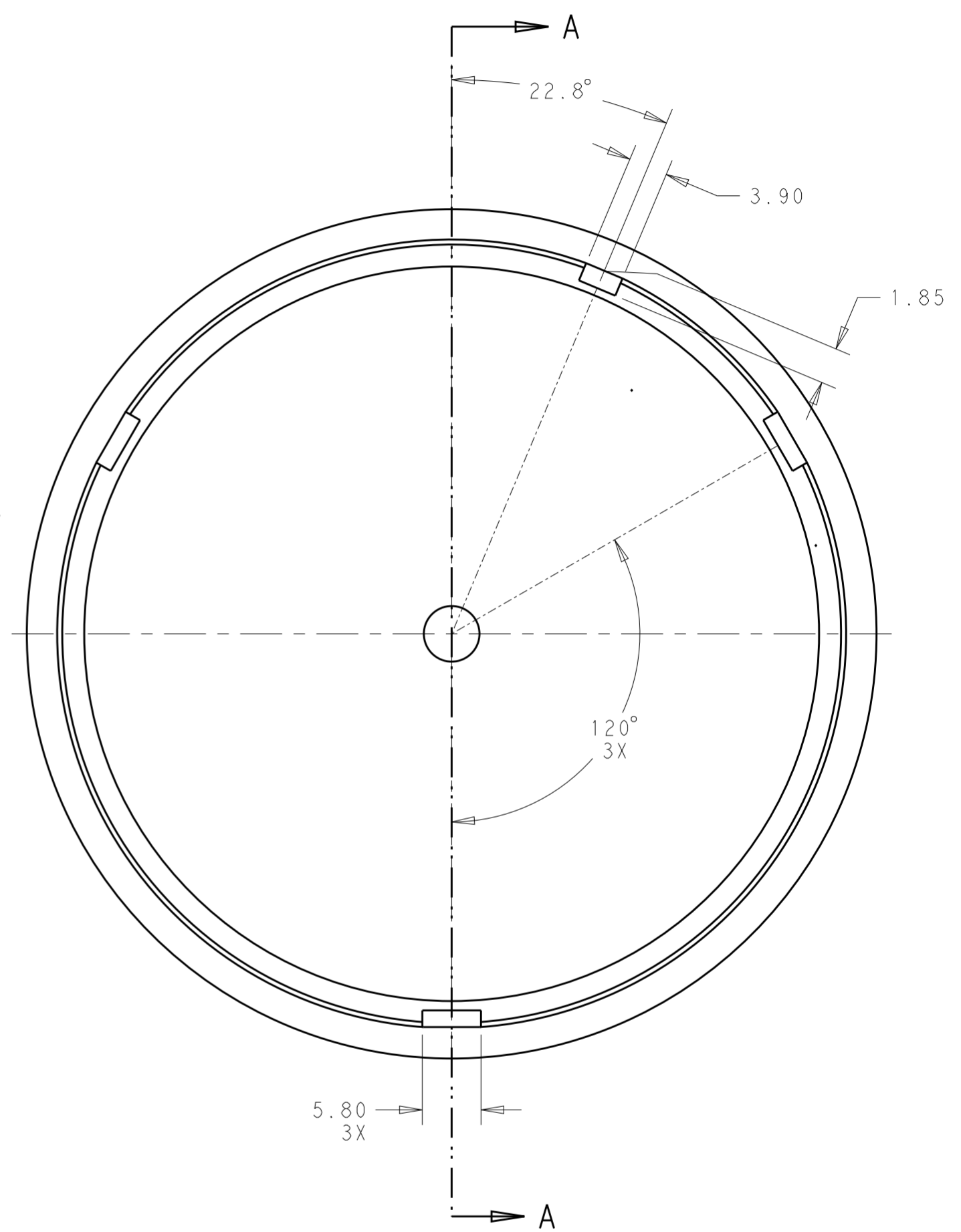
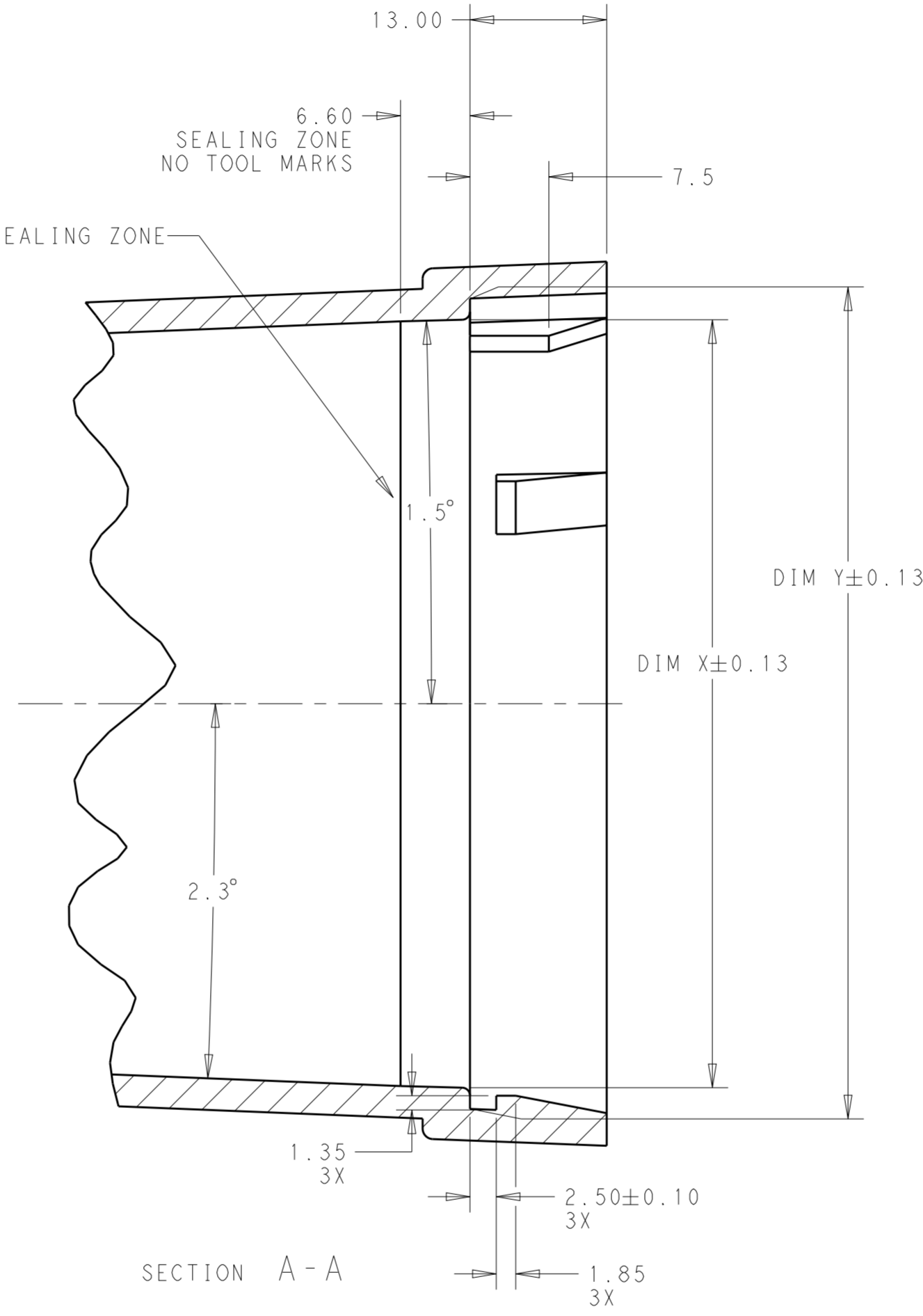
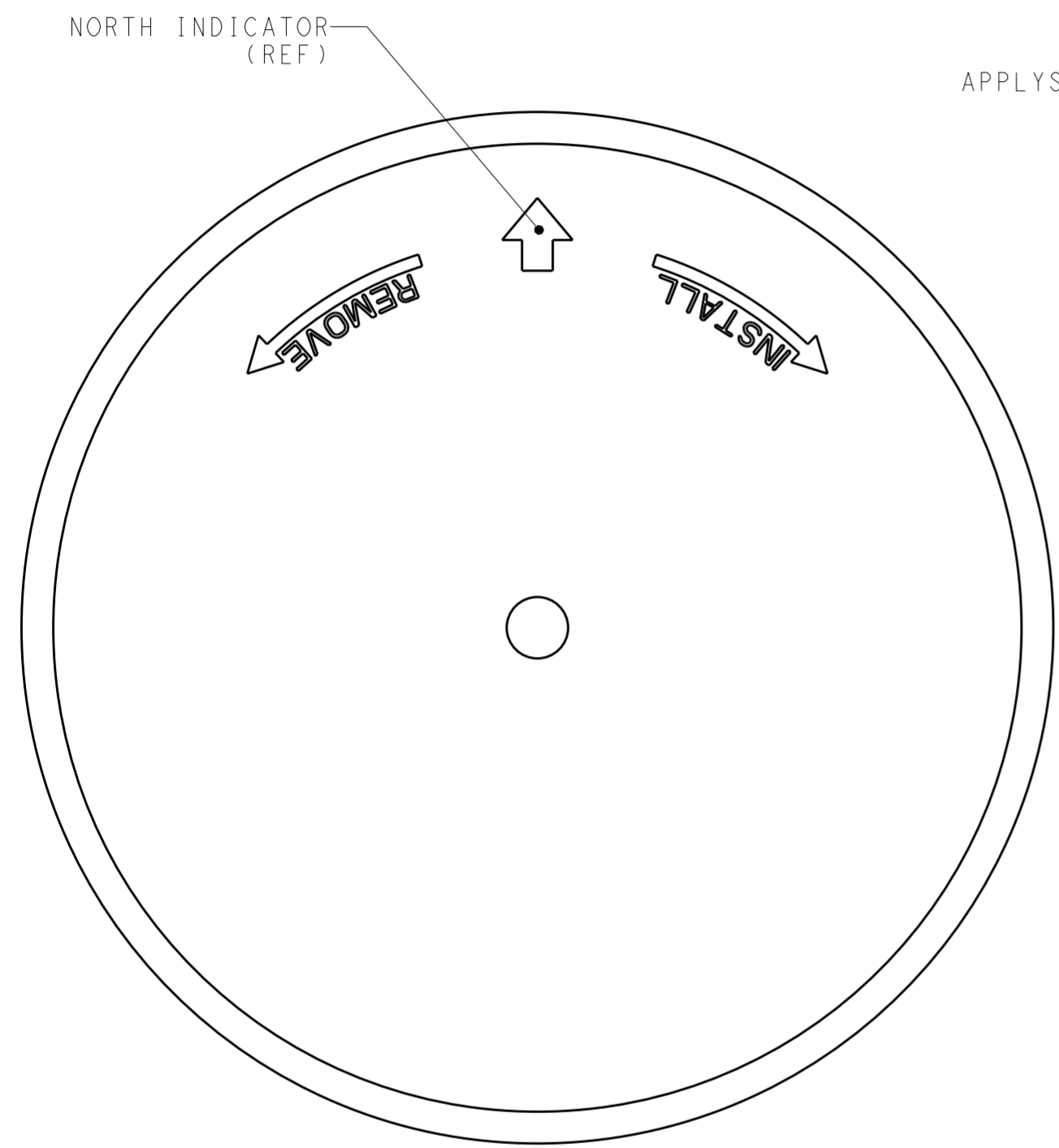


RECOMMENDED PCB  
 SCALE 2:1




|   |  |  |   |  |
|---|--|--|---|--|
| THIS DRAWING IS A CONTROLLED DOCUMENT.  |  | DWN<br>J. SHAFFER<br>23MAR2016   |  TE Connectivity |  |
|   |  | CHK<br>E. HOWARD<br>23MAR2016  |   |  |
| DIMENSIONS:<br>mm   |  | TOLERANCES UNLESS OTHERWISE SPECIFIED:<br>0 PLC ±<br>1 PLC ±0.2<br>2 PLC ±0.13<br>3 PLC ±<br>4 PLC ±<br>ANGLES ±3°<br>FINISH |   | NAME<br>BASE ASSEMBLY,<br>LIGHT CONTROLLER,<br>SLEEVE COMPATIBLE |
|  |  | PRODUCT SPEC<br>108-32125  |   | SIZE<br>A2   |
| MATERIAL<br>-<br>-  |  | APPLICATION SPEC<br>114-32159  |   | CAGE CODE<br>-   |
|   |  | WEIGHT<br>-  |   | DRAWING NO<br>C-2213871  |
|   |  | CUSTOMER DRAWING   |   | RESTRICTED TO<br>-   |
|   |  | SCALE 2:1  |   | SHEET 4 OF 6   |
|   |  |  |   | REV A5   |

| REVISIONS |     |             |      |      |
|-----------|-----|-------------|------|------|
| P         | LTR | DESCRIPTION | DATE | APVD |
| -         | -   | SEE SHEET 1 | -    | -    |
|           |     |             |      |      |
|           |     |             |      |      |

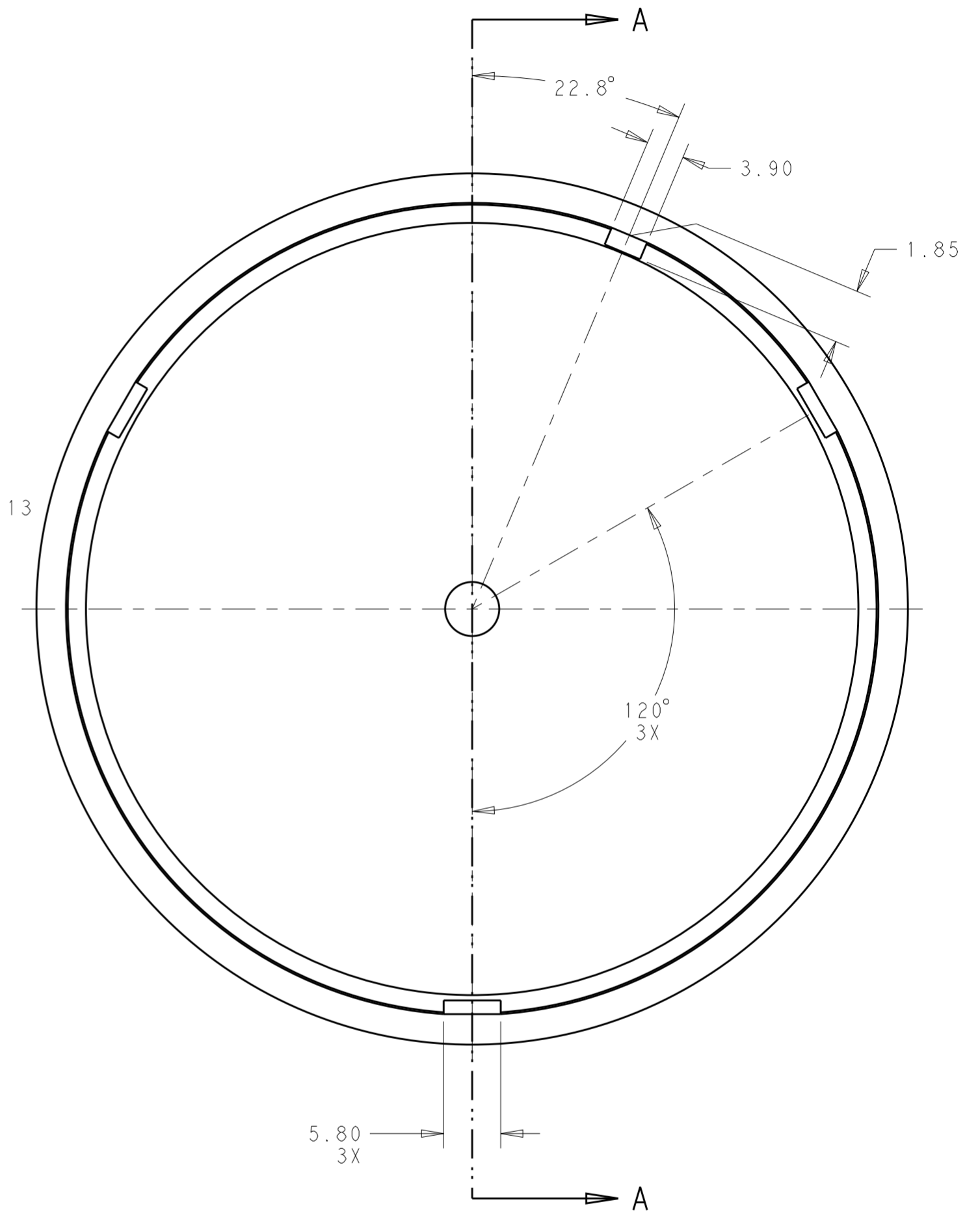
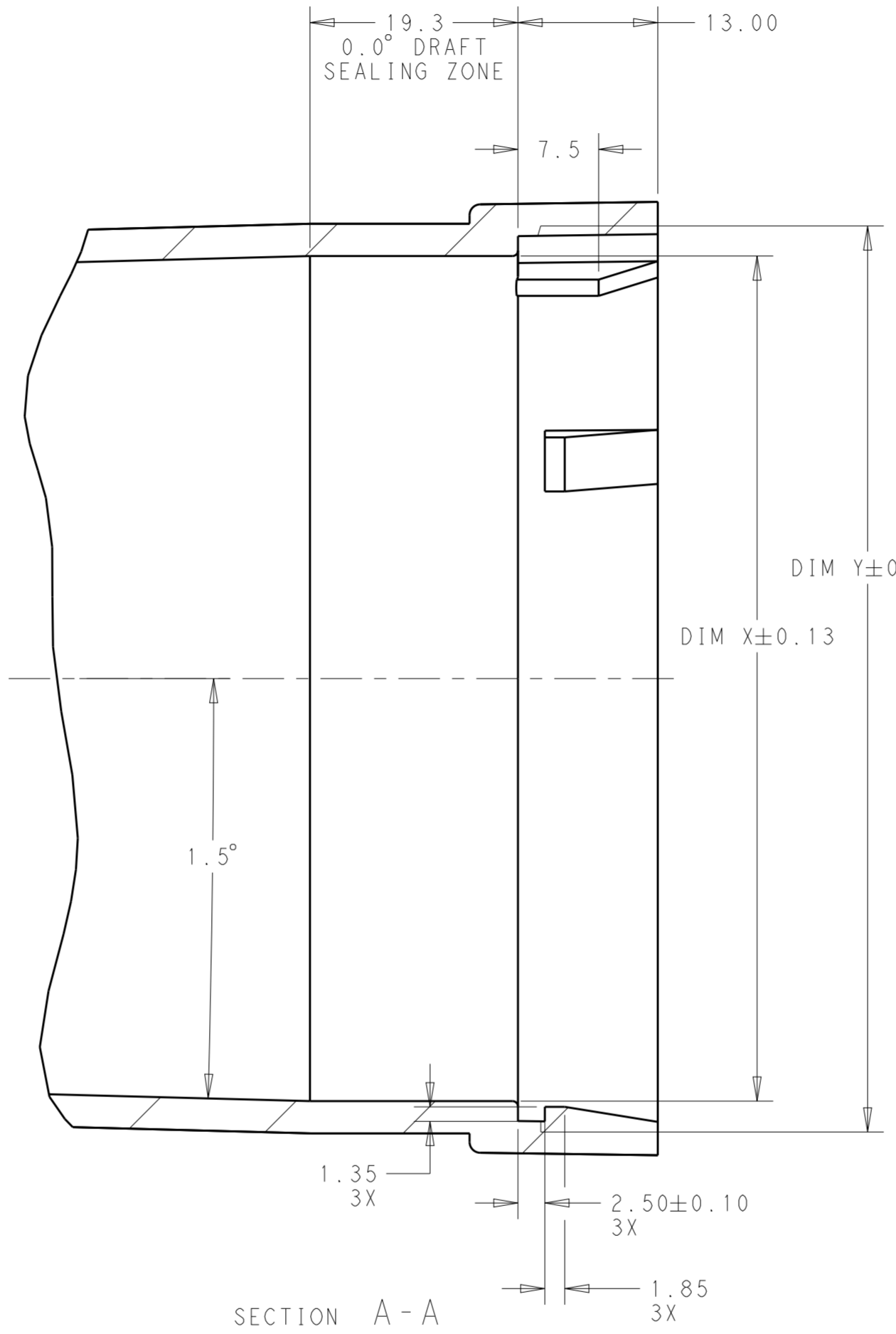
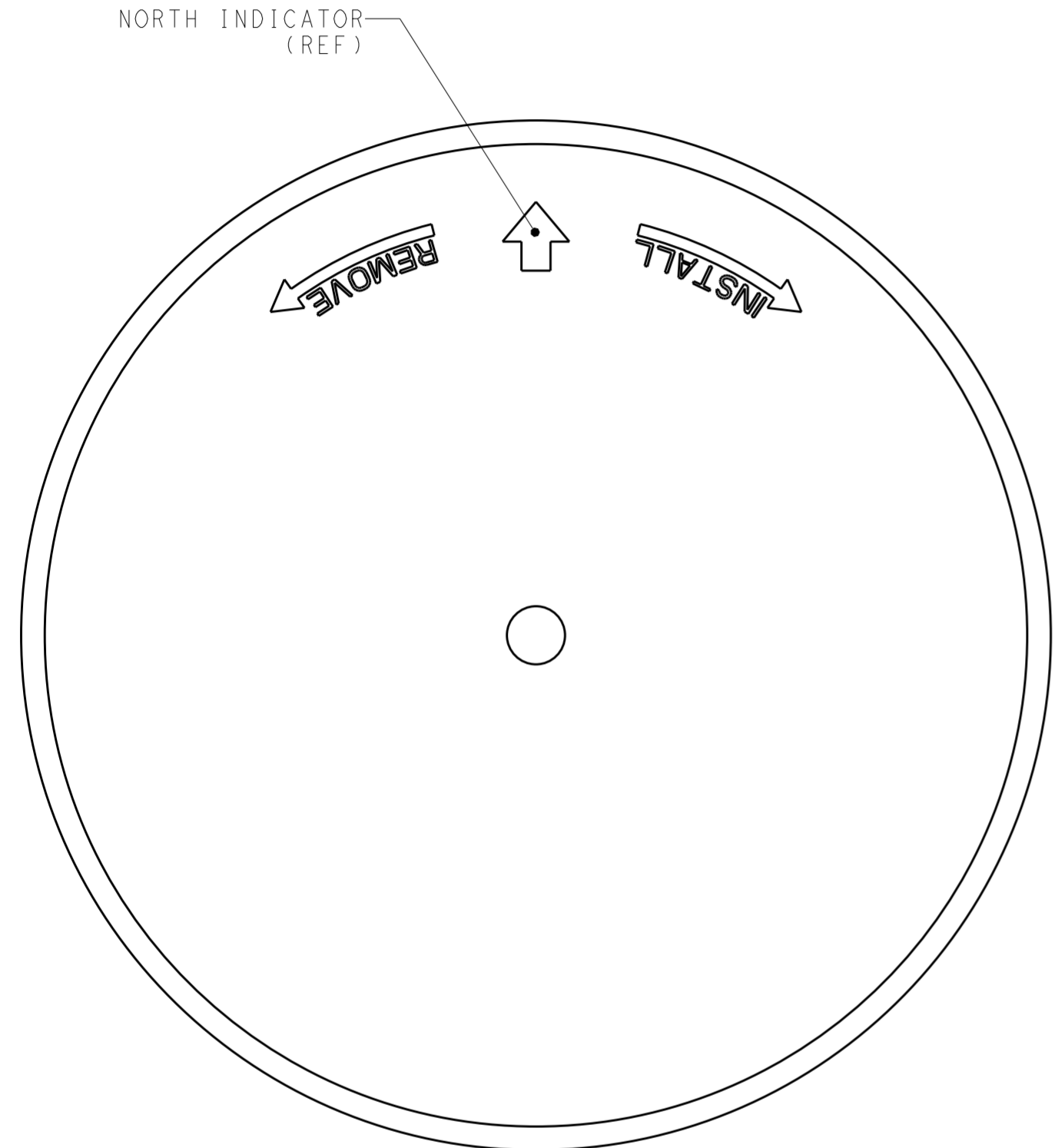


MATING COVER DIMENSIONS  
 FOR  
 76MM DIAMETER BASES  
 (2213871-1, 1-2213871-1)


|  |  |                                |   |  |
|--|--|--------------------------------|---|--|
| THIS DRAWING IS A CONTROLLED DOCUMENT. |  | DWN<br>J. SHAFFER<br>23MAR2016 |  TE Connectivity |  |
| DIMENSIONS:                            |  | CHK<br>E. HOWARD<br>23MAR2016  |   |  |
| mm                                     | TOLERANCES UNLESS OTHERWISE SPECIFIED: | APVD<br>-                      | NAME<br>BASE ASSEMBLY,<br>LIGHT CONTROLLER,<br>SLEEVE COMPATIBLE                                      |  |
| 0 PLC                                  | ±                                      | PRODUCT SPEC                   | SIZE<br>A2  |  |
| 1 PLC                                  | ±0.2                                   | 108-32125                      | CAGE CODE<br>-  |  |
| 2 PLC                                  | ±0.13                                  | APPLICATION SPEC               | DRAWING NO<br>C-2213871   |  |
| 3 PLC                                  | ±                                      | 114-32159                      | RESTRICTED TO<br>-  |  |
| 4 PLC                                  | ±                                      | WEIGHT                         | SCALE<br>2:1  |  |
| ANGLES                                 | ±3°                                    | CUSTOMER DRAWING               | SHEET<br>5 OF 6   |  |
| FINISH                                 | -                                      |                                | REV<br>A5   |  |

THIS DRAWING IS UNPUBLISHED. RELEASED FOR PUBLICATION 20  
 © COPYRIGHT 20 BY - ALL RIGHTS RESERVED.

| REVISIONS |     |             |      |      |
|-----------|-----|-------------|------|------|
| P         | LTR | DESCRIPTION | DATE | APVD |
| -         | -   | SEE SHEET 1 | -    | -    |
|           |     |             |      |      |
|           |     |             |      |      |



MATING COVER DIMENSIONS  
 FOR  
 81MM DIAMETER BASES  
 (2213871-2, 1-2213871-2  
 AND 2213871-3)

|  |  |                                |   |           |
|--|--|--------------------------------|---|-----------|
| THIS DRAWING IS A CONTROLLED DOCUMENT. |  | DWN<br>J. SHAFFER<br>23MAR2016 |  TE Connectivity |           |
| DIMENSIONS:                            |  | CHK<br>E. HOWARD<br>23MAR2016  |   |           |
| mm                                     | TOLERANCES UNLESS OTHERWISE SPECIFIED: | APVD<br>-                      | NAME<br>BASE ASSEMBLY,<br>LIGHT CONTROLLER,<br>SLEEVE COMPATIBLE                                      |           |
| 0 PLC                                  | ±                                      | PRODUCT SPEC                   | SIZE  | CAGE CODE |
| 1 PLC                                  | ±0.2                                   | 108-32125                      | A2  | -         |
| 2 PLC                                  | ±0.13                                  | APPLICATION SPEC               | DRAWING NO  |           |
| 3 PLC                                  | ±                                      | 114-32159                      | C-2213871   |           |
| 4 PLC                                  | ±                                      | WEIGHT                         | RESTRICTED TO   |           |
| ANGLES                                 | ±3°                                    | CUSTOMER DRAWING               | -   |           |
| FINISH                                 | -                                      | SCALE 2:1                      | SHEET 6 OF 6  | REV A5    |