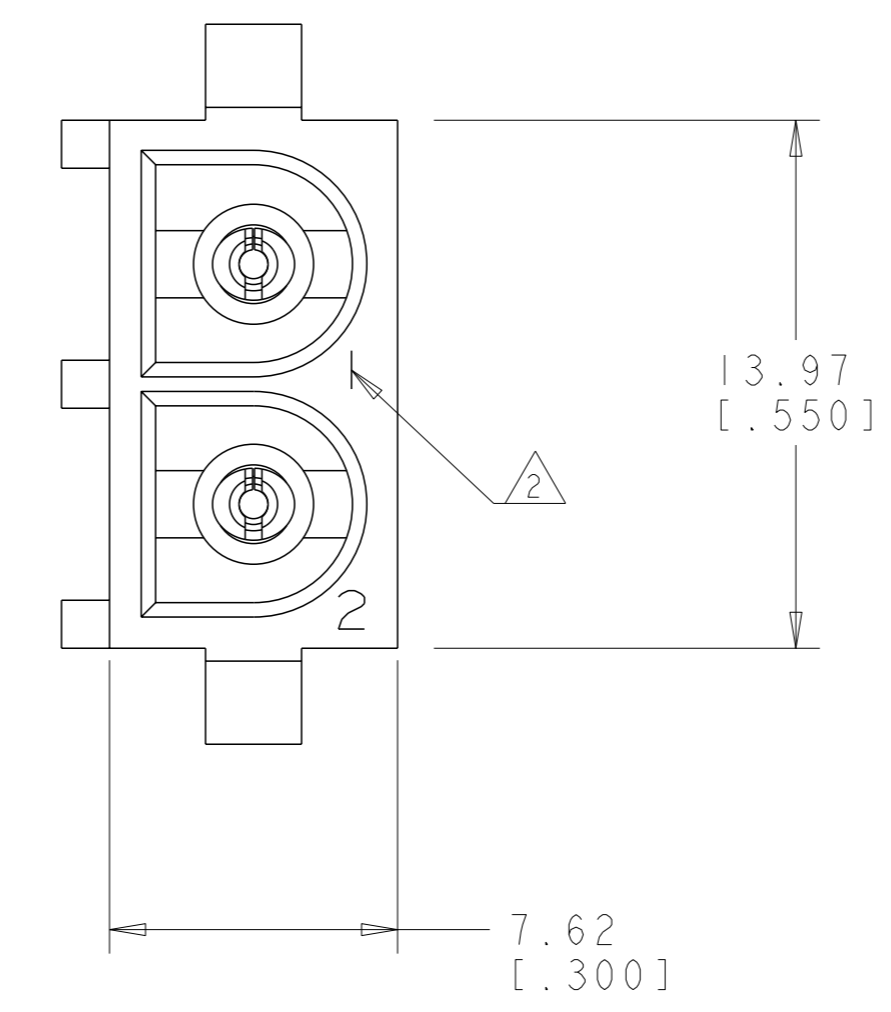
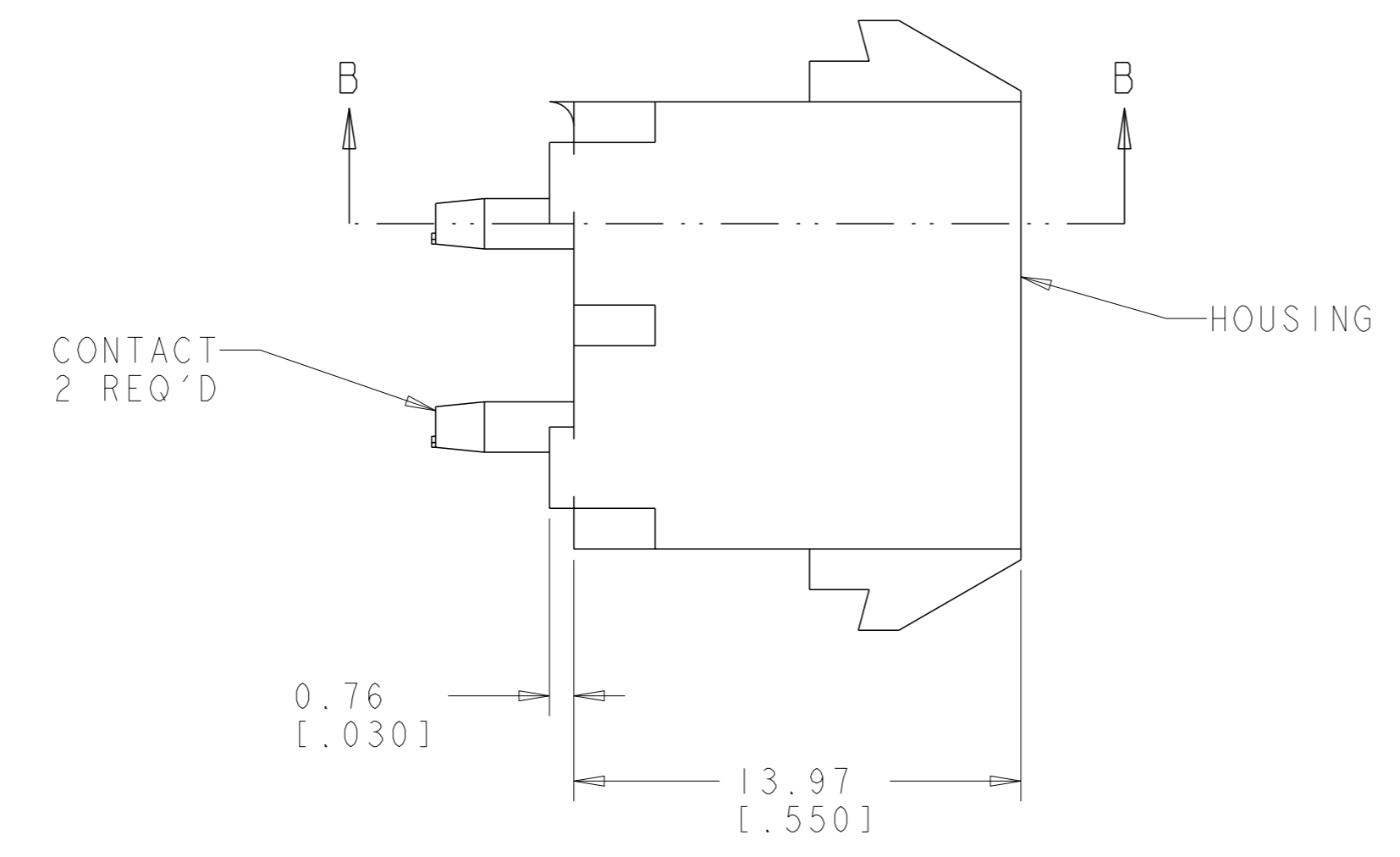
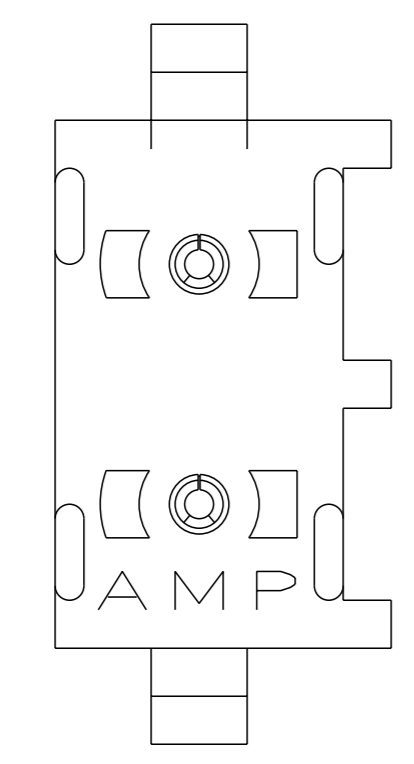
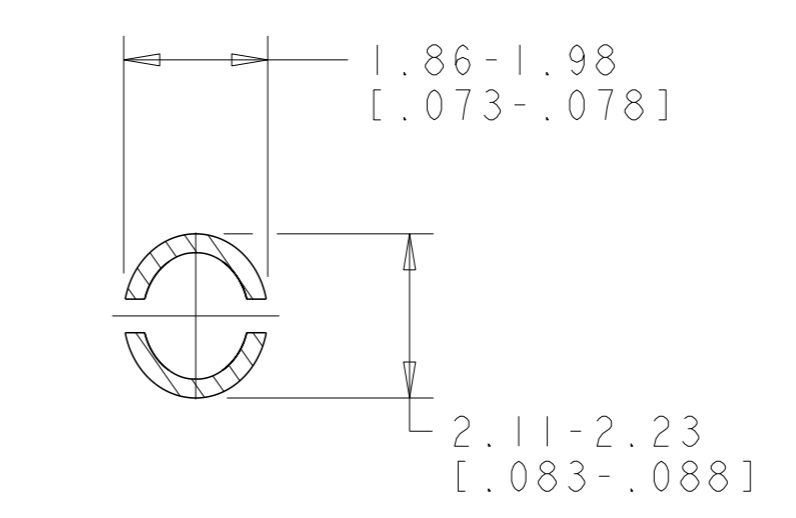
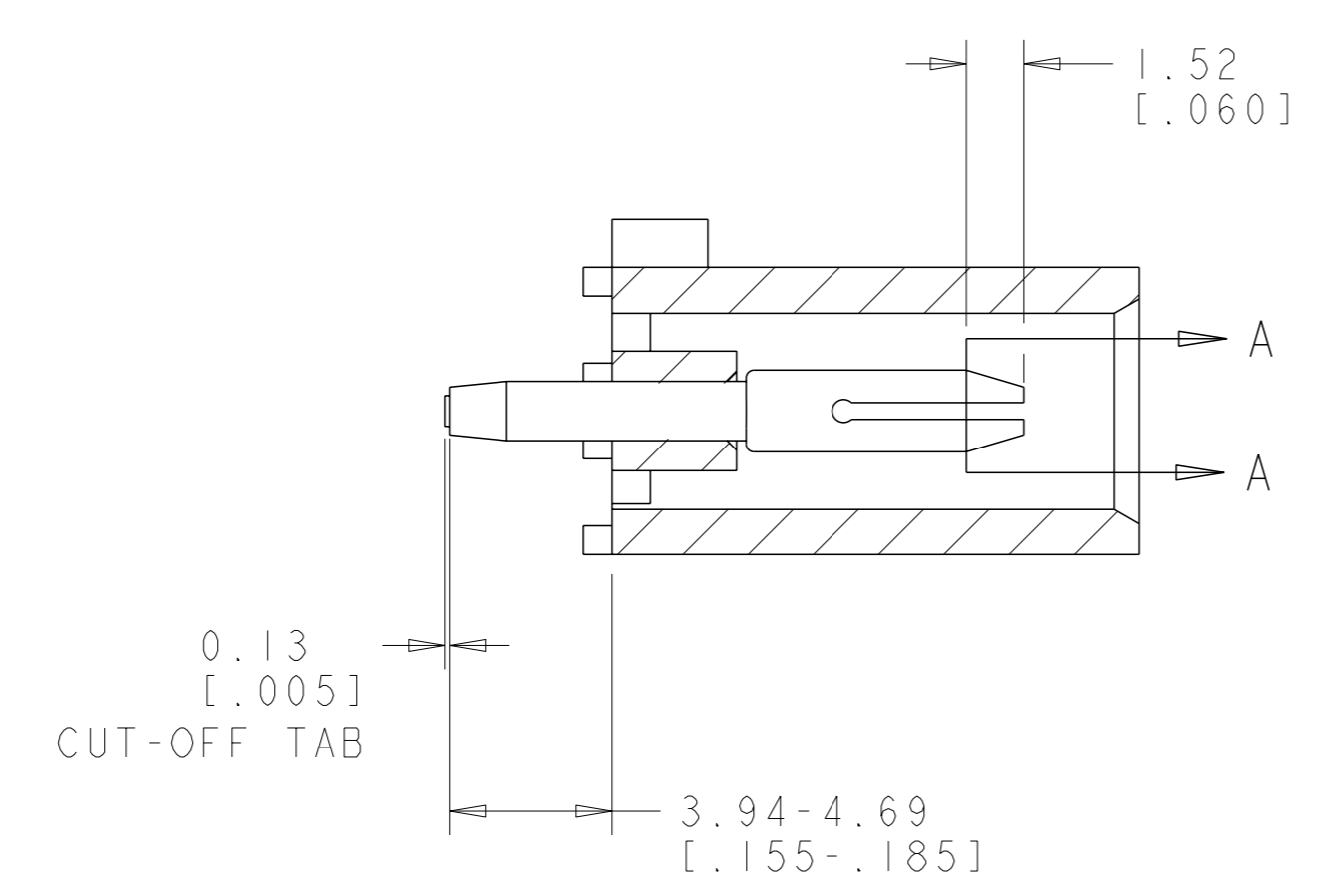


LOC	DIST	REVISIONS			
		REV	BY	DATE	APVD
CM	00	B1	REV PER ECO-17-007882	31MAY2017	RS KR

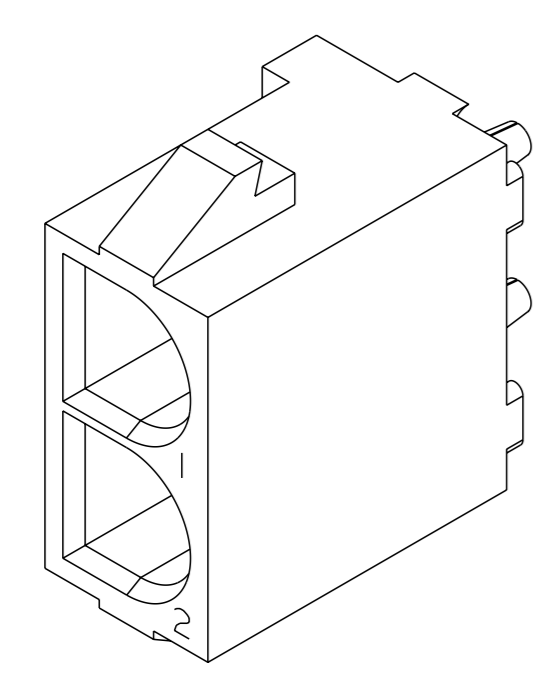


- PARTS COMPLY TO AMP SOLDERABILITY SPECIFICATION 109-11-3.
- CIRCUIT IDENTIFICATION CHARACTERS ARE ADJACENT TO THE INDICATED CAVITIES, BUT LOCATION AND ORIENTATION MAY DIFFER FROM PRINT.
- DIMENSIONS IN BRACKETS ARE IN INCHES.
- FLAMMABILITY V-2 FOR THICKNESS 0.38mm, 0.75mm, 1.5mm AND 3.0mm PER IEC 60695-11-10.
- GLOW-WIRE FLAMMABILITY (GWFI) 930°C FOR THICKNESS 0.75mm PER IEC 60695-2-12.
- GLOW-WIRE FLAMMABILITY (GWFI) 960°C FOR THICKNESS 0.38mm, 1.5mm AND 3.0mm PER IEC 60695-2-12.
- GLOW-WIRE IGNITION (GWIT) 825°C FOR THICKNESS 1.5mm AND 3.0mm PER IEC 60695-2-13.
- GLOW-WIRE IGNITION (GWIT) 930°C FOR THICKNESS 0.38mm AND 0.75MM PER IEC-60695-2-13

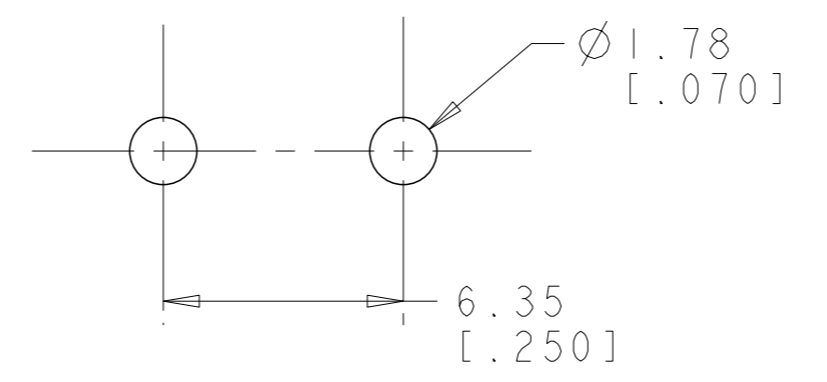


SECTION A-A  
SCALE 10:1

SECTION B-B



3 DIMENSIONAL VIEW  
SCALE 4:1



RECOMMENDED MOUNTING HOLE PATTERN  
FOR 1.57 [.062] THICK P.C. BOARD

PHOSPOR BRONZE, PRE-TIN PIN CONTACT MATERIAL AND FINISH	NYLON, UL94V-2, NATURAL HOUSING MATERIAL AND COLOR	1586953-1 PART NUMBER
DIMENSIONS: mm [ INCHES ] TOLERANCES UNLESS OTHERWISE SPECIFIED: 0 PLC ± 1 PLC ± 2 PLC ±0.13(.005) 3 PLC ± 4 PLC ± ANGLES FINISH 40° 30'		DWN K. WHITAKER 25JUL2007 CHK D. COLEY 25JUL2007 APVD D. COLEY 25JUL2007 PRODUCT SPEC APPLICATION SPEC WEIGHT CUSTOMER DRAWING
MATERIAL SEE TABLE FINISH SEE TABLE		Tyco Electronics Harrisburg, PA 17105-3608 NAME: PIN HEADER ASSEMBLY, 2 CIRCUIT, UNIVERSAL MATE-N-LOK(TM) SIZE: A   CAGE CODE: 00779   DRAWING NO: 1586953 RESTRICTED TO: REV B1

