

THIS DRAWING IS UNPUBLISHED.

RELEASED FOR PUBLICATION

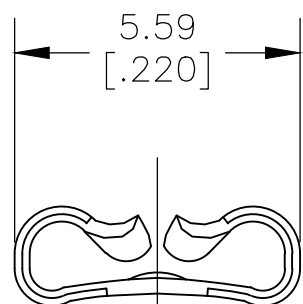
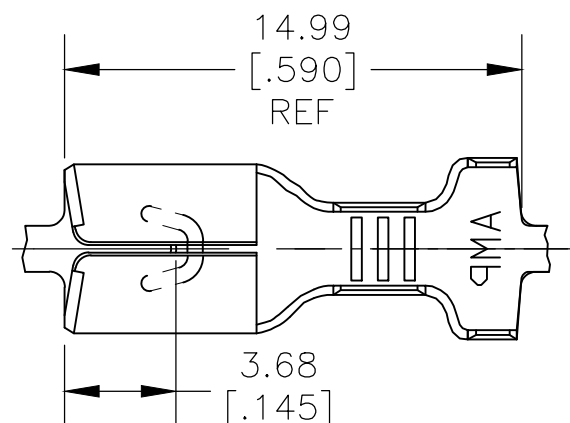
ALL RIGHTS RESERVED.

© COPYRIGHT - By -

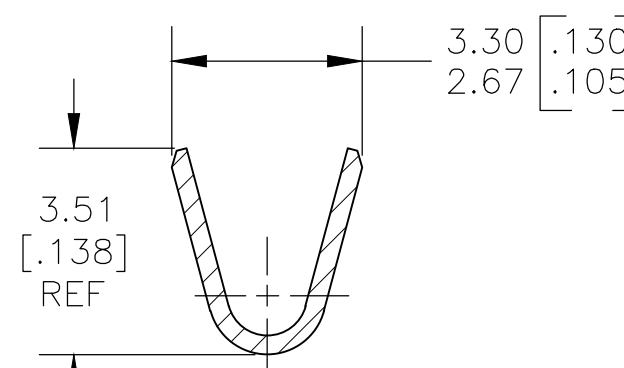
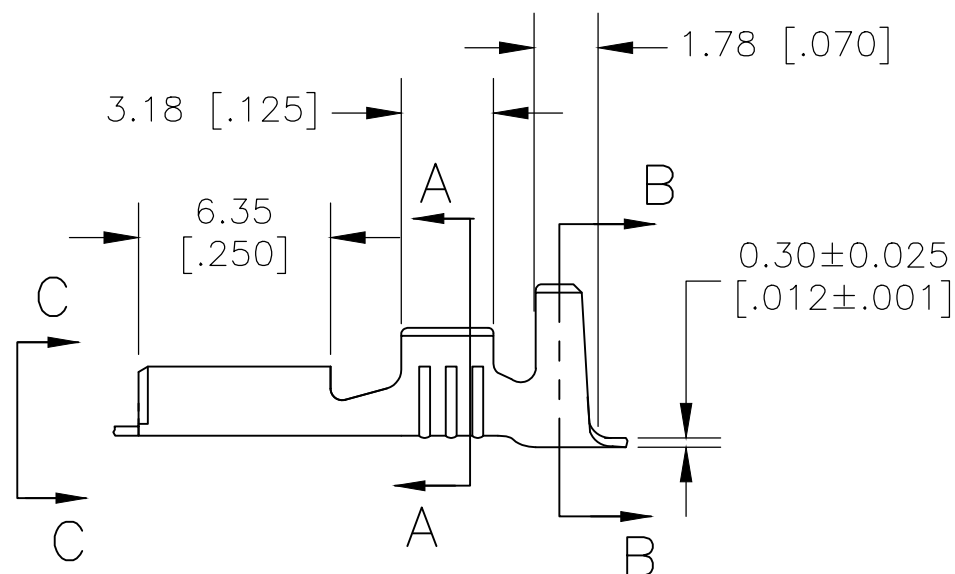
REVISIONS

P	LTR	DESCRIPTION	DATE	DWN	APVD
	A4	REVISED PER ECR-19-008829	12JUN2019	BDA	DH

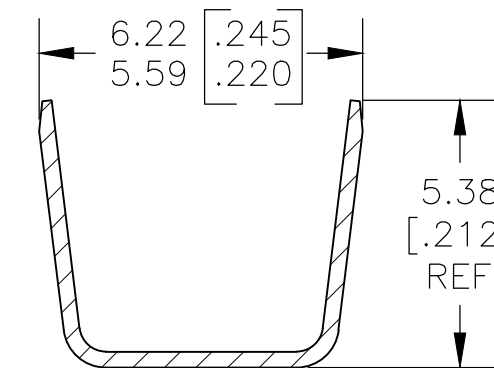
- 1 CONTINUOUS STRIP ON REELS.
- 2 WIRE SIZE #18-#16 OR TWO #18'S AWG
- 3 INSULATION RANGE 2.67-5.33 [.105-.210] DIA OR TWO AT 2.67 MAX [.105] DIA
- 4 MATING TAB THK 0.81±0.025 [.032±.001]
- 5 AWG 18-16 & (2) AWG 18 UL APPROVAL
- 6 OBSOLETE/SUPERSEDED BY PN 2238199-3
- 7 ADD PAPER INTERLEAVING TO FINAL REELING WITH REDUCED QTY./REEL AS DEFINED IN BOM.



VIEW C-C
SCALE 8:1



SECTION A-A
SCALE 8:1



SECTION B-B
SCALE 8:1

6	TIN	BRASS	1742899-3
5	NICKEL	STEEL	1742899-1
	FINISH	MATERIAL	PART NO

THIS DRAWING IS A CONTROLLED DOCUMENT.		DWN jr ruth 15MAY11	TE Connectivity				
DIMENSIONS: MM [INCHES]		CHK PETE DESANTIS 15MAY11					
TOLERANCES UNLESS OTHERWISE SPECIFIED:		APVD PETE DESANTIS 15MAY11	NAME RECEPTACLE , FASTON, .187 SERIES				
 0 PLC ± - 1 PLC ± - 2 PLC ± 0.25 [.010] 3 PLC ± - 4 PLC ± - ANGLES ± 5°		PRODUCT SPEC -	APPLICATION SPEC -				
MATERIAL SEE TABLE		FINISH SEE TABLE	WEIGHT	SIZE A3	CAGE CODE 00779	DRAWING NO C-1742899	RESTRICTED TO -
CUSTOMER DRAWING			SCALE 4:1	SHEET 1 OF 1	REV A4		