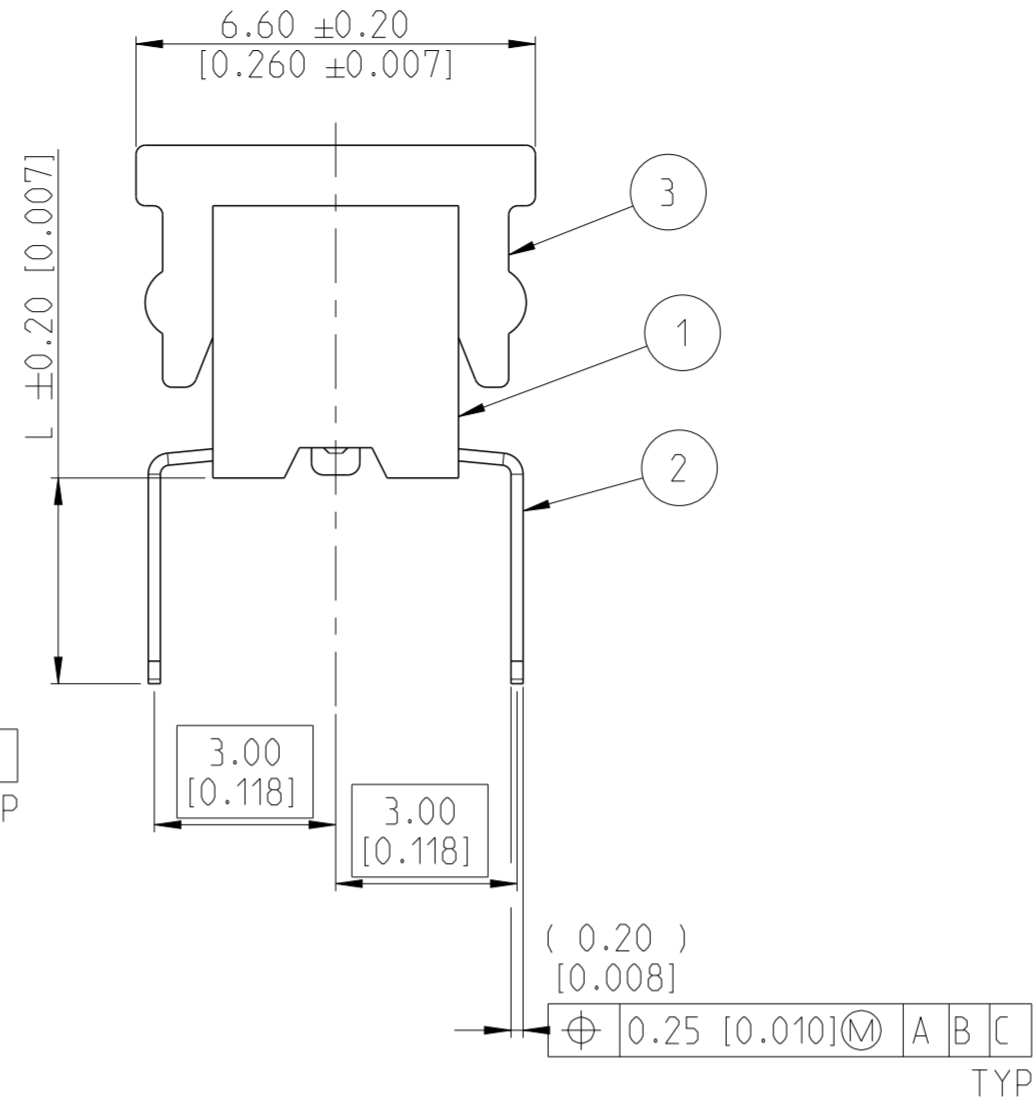
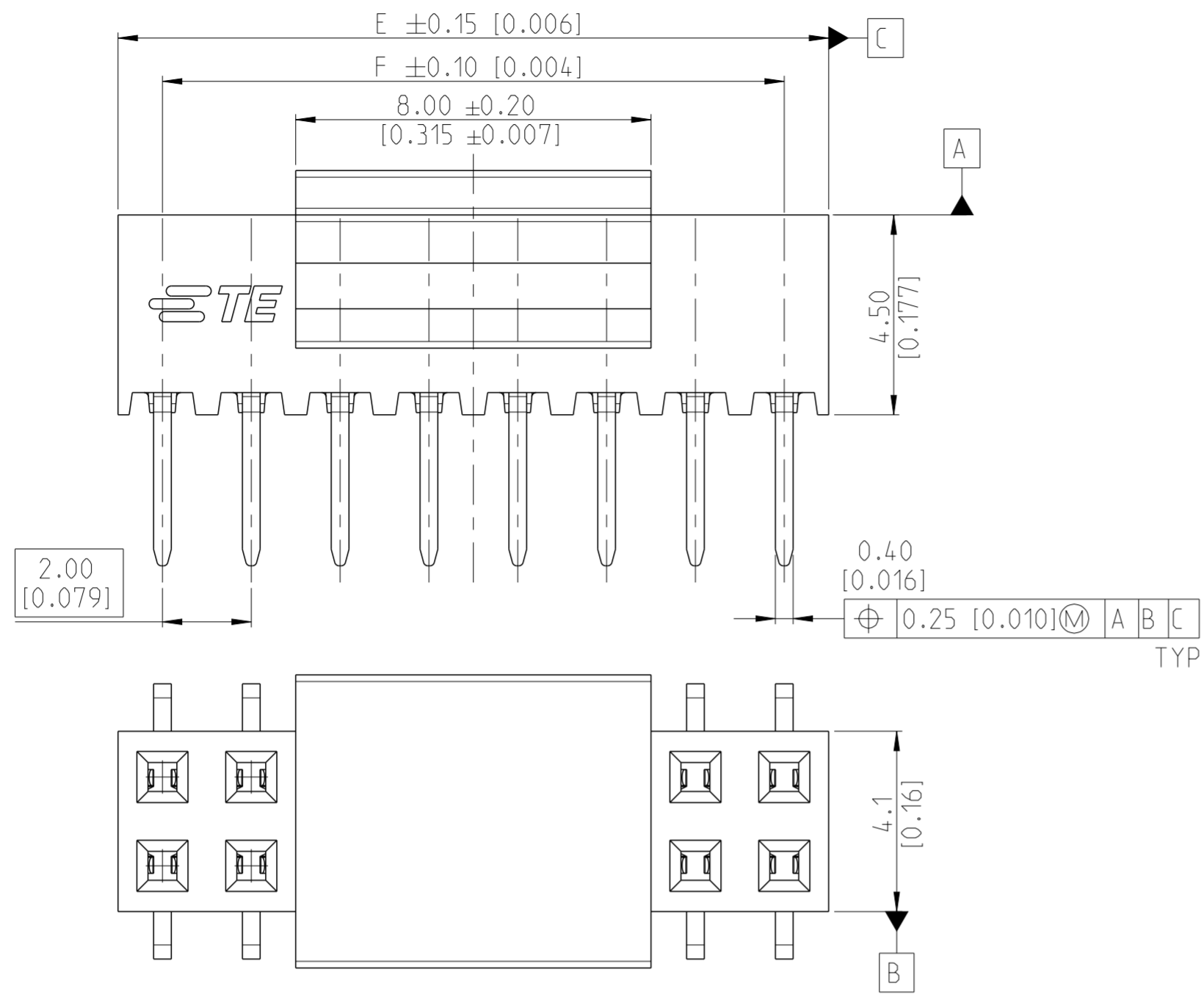


THIS DRAWING IS UNPUBLISHED. RELEASED FOR PUBLICATION 20
 © COPYRIGHT 20 BY - ALL RIGHTS RESERVED.

REVISIONS				
P	LTR	DESCRIPTION	DATE	APVD
1		INITIAL RELEASE	07DEC2018	SS PS

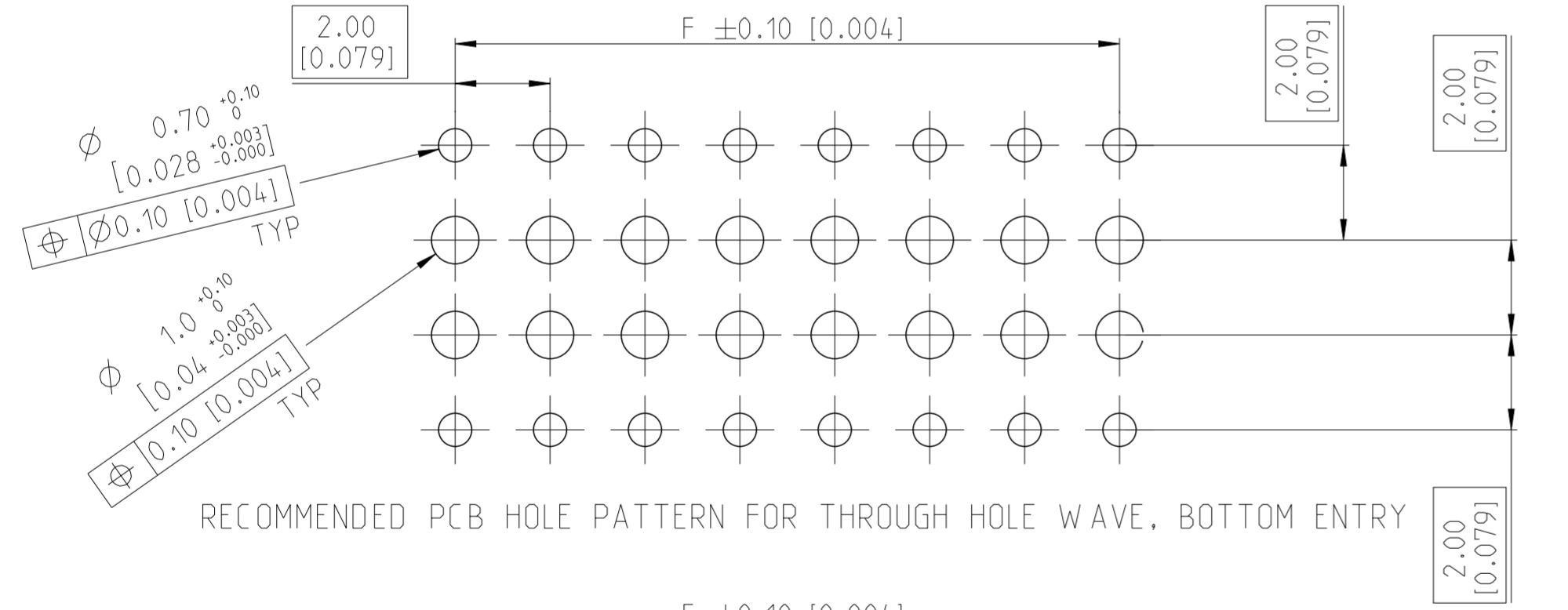


NOTES:

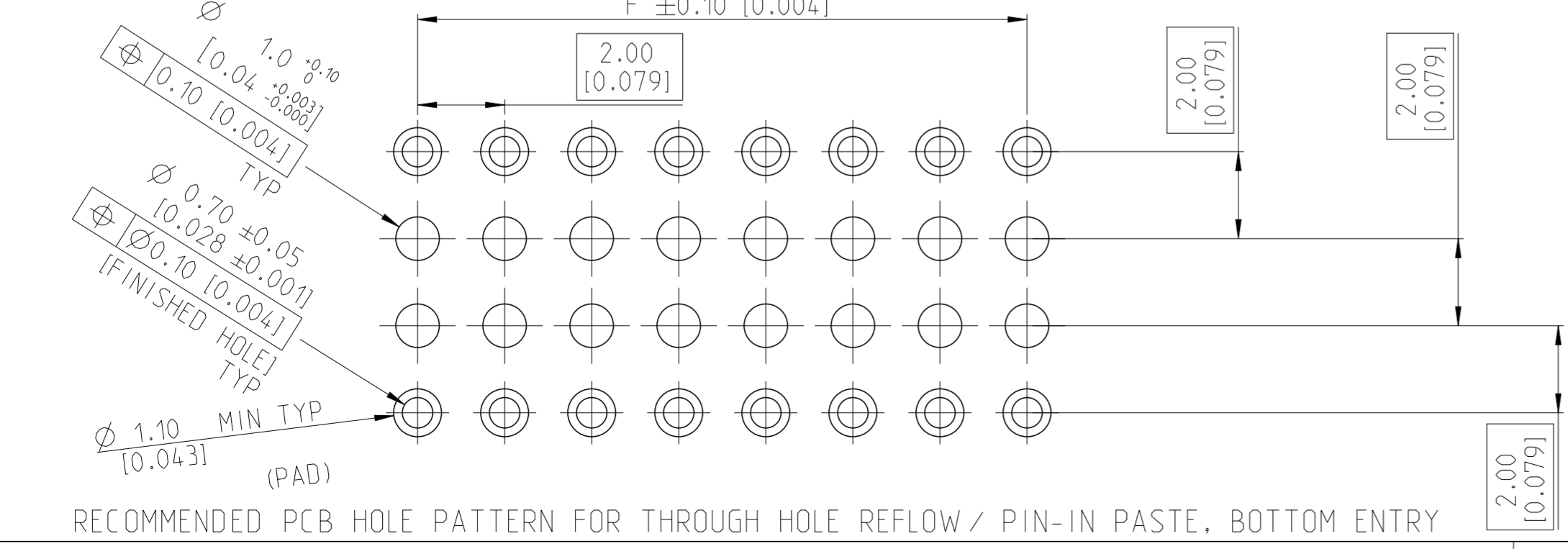
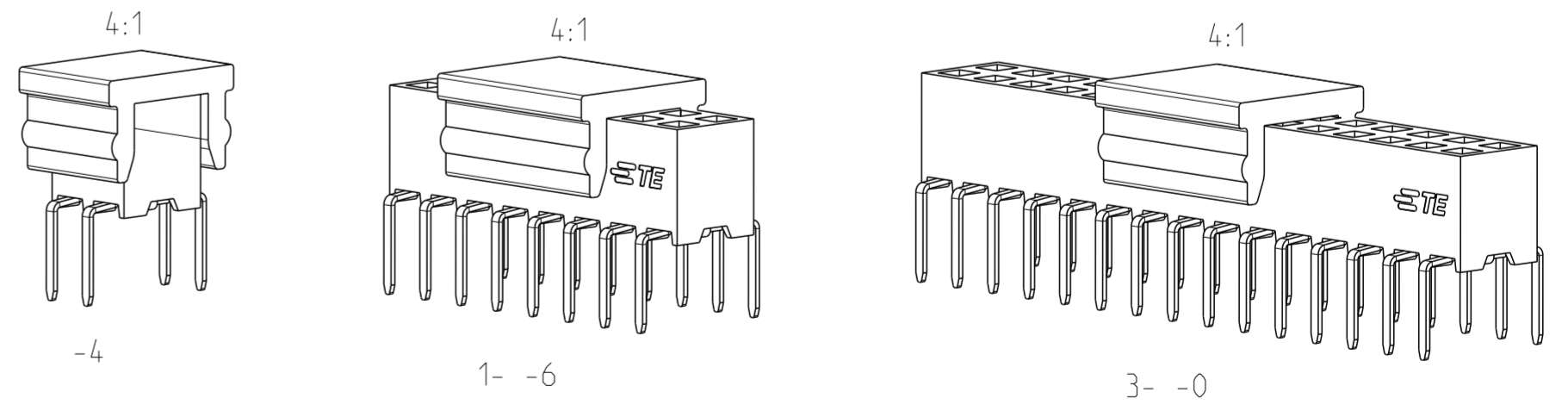
- 1 MATERIAL:
HOUSING AND P&P CAP: LCP, UL94 V0, BLACK
CONTACT: PHOSPHOR BRONZE, 0.20mm THICK,
- 2 ALL OVER 3-5µm TIN OVER MIN 1.27µm NICKEL UNDERPLATE
- 3 CONTACT AREA: MIN 0.1µm GOLD
SOLDER TAIL: 3-5µm TIN
UNDERPLATING: MIN 1.27µm NICKEL ALL OVER
- 4 CONTACT AREA: MIN 0.38µm GOLD
SOLDER TAIL: 3-5µm TIN
UNDERPLATING: MIN 1.27µm NICKEL ALL OVER
- 5 CONTACT AREA: MIN 0.76µm GOLD
SOLDER TAIL: 3-5µm TIN
UNDERPLATING: MIN 1.27µm NICKEL ALL OVER
- 6 N = NO. OF POSITIONS PER CONNECTOR.

P&P CAP	3
CONTACT	2
HOUSING	1
DESCRIPTION	ITEM

THIS PRINT IS
PRELIMINARY
 UNQUALIFIED PRODUCT
 CONTACT PRODUCT ENGINEERING
 BEFORE USING THIS PRINT



RECOMMENDED PCB HOLE PATTERN FOR THROUGH HOLE WAVE, BOTTOM ENTRY



RECOMMENDED PCB HOLE PATTERN FOR THROUGH HOLE REFLOW / PIN-IN PASTE, BOTTOM ENTRY

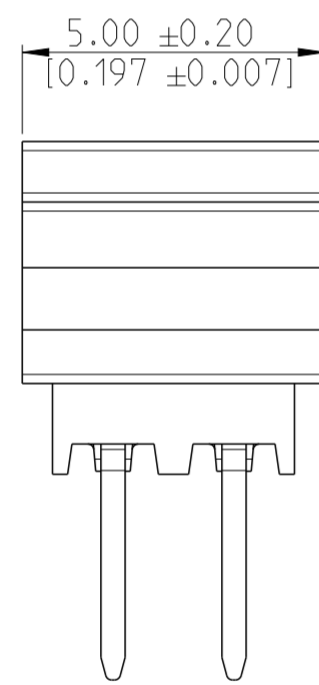
THIS DRAWING IS A CONTROLLED DOCUMENT.		DWN 21NOV2017 SOURAV DAS	STE TE Connectivity	
DIMENSIONS: mm [inch]		CHK 07DEC2018 SHARATH S		
TOLERANCES UNLESS OTHERWISE SPECIFIED:		APVD 07DEC2018 PRASHANTH S	NAME AMPMODU 2mm BtB RECEPTACLE	
0 PLC ±		PRODUCT SPEC	DUAL ROW, VERTICAL, DUAL ENTRY, OUTRIGGER, TH/THR	
1 PLC ±0.2		APPLICATION SPEC	SIZE	CAGE CODE
2 PLC ±0.1 [0.008]		114-32186	A2	00779
3 PLC ± [0.004]		RESTRICTED CUSTOMER	DRAWING NO	©-2307820
4 PLC ±		SCALE 5:1	SHEET 1 OF 2	REV 1
ANGLES ±2°				
FINISH				
MATERIAL SEE NOTES				

THIS DRAWING IS UNPUBLISHED. RELEASED FOR PUBLICATION 20
 © COPYRIGHT 20 BY - ALL RIGHTS RESERVED.

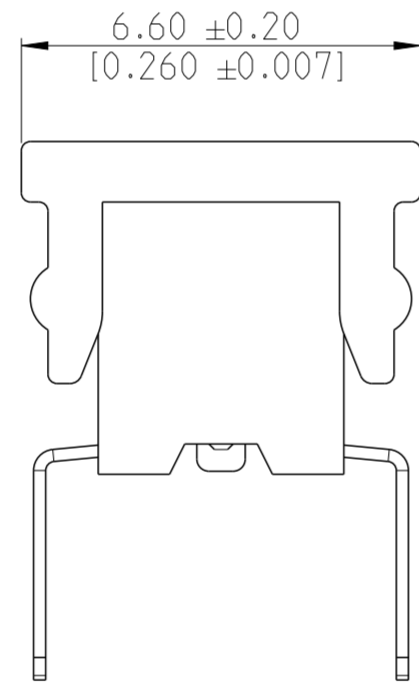
REVISIONS				
P	LTR	DESCRIPTION	DATE	APVD
-	-	SEE SHEET 1	-	-

MATING SIDE PLATING (FINISH)	"L" SOLDER TAIL LENGTH	BTB RECEPTACLE BASE NUMBERS		
		TAPE & REEL PKG W/ CAP	TUBE PKG W/ CAP	TUBE PKG W/O CAP
TIN △ ₂	2.3[0.090]	2307820	2314851	A/R
	2.8[0.110]	2307821	2314863	2314859
	3.4[0.134]	A/R	A/R	2307822
GOLD FLASH 0.1 μm △ ₃	2.3[0.090]	2307823	2314852	A/R
	2.8[0.110]	2307824	2314864	2314860
	3.4[0.134]	A/R	A/R	2307825
GOLD 0.38 μm △ ₄	2.3[0.090]	2307826	2314853	A/R
	2.8[0.110]	2307827	2314865	2314861
	3.4[0.134]	A/R	A/R	2307828
GOLD 0.76 μm △ ₅	2.3[0.090]	2307829	2341413	A/R
	2.8[0.110]	2307830	2314866	2314862
	3.4[0.134]	A/R	A/R	2307831

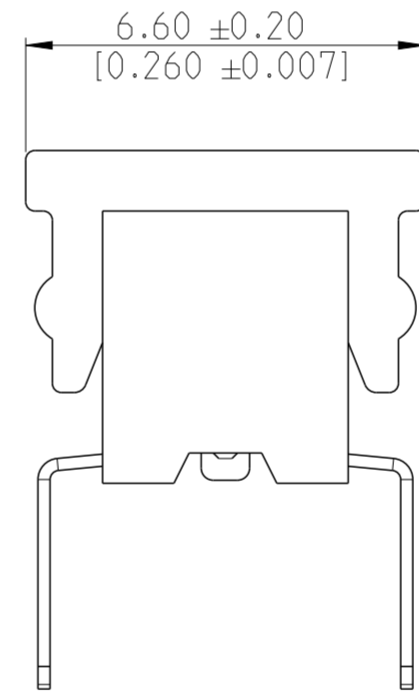
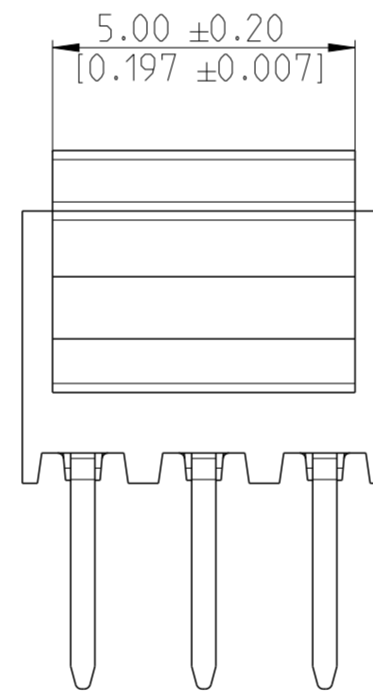
* A/R- AVAILABLE ON REQUEST



-4



-6



48	50	50	5- -0
46	48	48	4- -8
44	46	46	4- -6
42	44	44	4- -4
40	42	42	4- -2
38	40	40	4- -0
36	38	38	3- -8
34	36	36	3- -6
32	34	34	3- -4
30	32	32	3- -2
28	30	30	3- -0
26	28	28	2- -8
24	26	26	2- -6
22	24	24	2- -4
20	22	22	2- -2
18	20	20	2- -0
16	18	18	1- -8
14	16	16	1- -6
12	14	14	1- -4
10	12	12	1- -2
8	10	10	1- -0
6	8	8	-8
4	6	6	-6
2	4	4	-4
DIM "F"	DIM "E"	N	FG PN

THIS PRINT IS
PRELIMINARY
 UNQUALIFIED PRODUCT CONTACT PRODUCT ENGINEERING BEFORE USING THIS PRINT

THIS DRAWING IS A CONTROLLED DOCUMENT.

DIMENSIONS: mm [inch]	TOLERANCES UNLESS OTHERWISE SPECIFIED: 0 PLC ± 1 PLC ±0.2 2 PLC ±0.1 [0.008] 3 PLC ± [0.004] 4 PLC ± ANGLES ±2° FINISH	DWN 21NOV2017 SOURAV DAS CHK 07DEC2018 SHARATH S APVD 07DEC2018 PRASHANTH S PRODUCT SPEC 108-64040 APPLICATION SPEC 114-32186 WEIGHT -	TE Connectivity NAME AMPMODU 2mm BTB RECEPTACLE DUAL ROW, VERTICAL, DUAL ENTRY, OUTRIGGER, TH/THR SIZE A2 CAGE CODE 00779 DRAWING NO C-2307820 RESTRICTED TO RESTRICTED CUSTOMER SCALE 10:1 SHEET 2 OF 2 REV 1
-----------------------	---	--	---