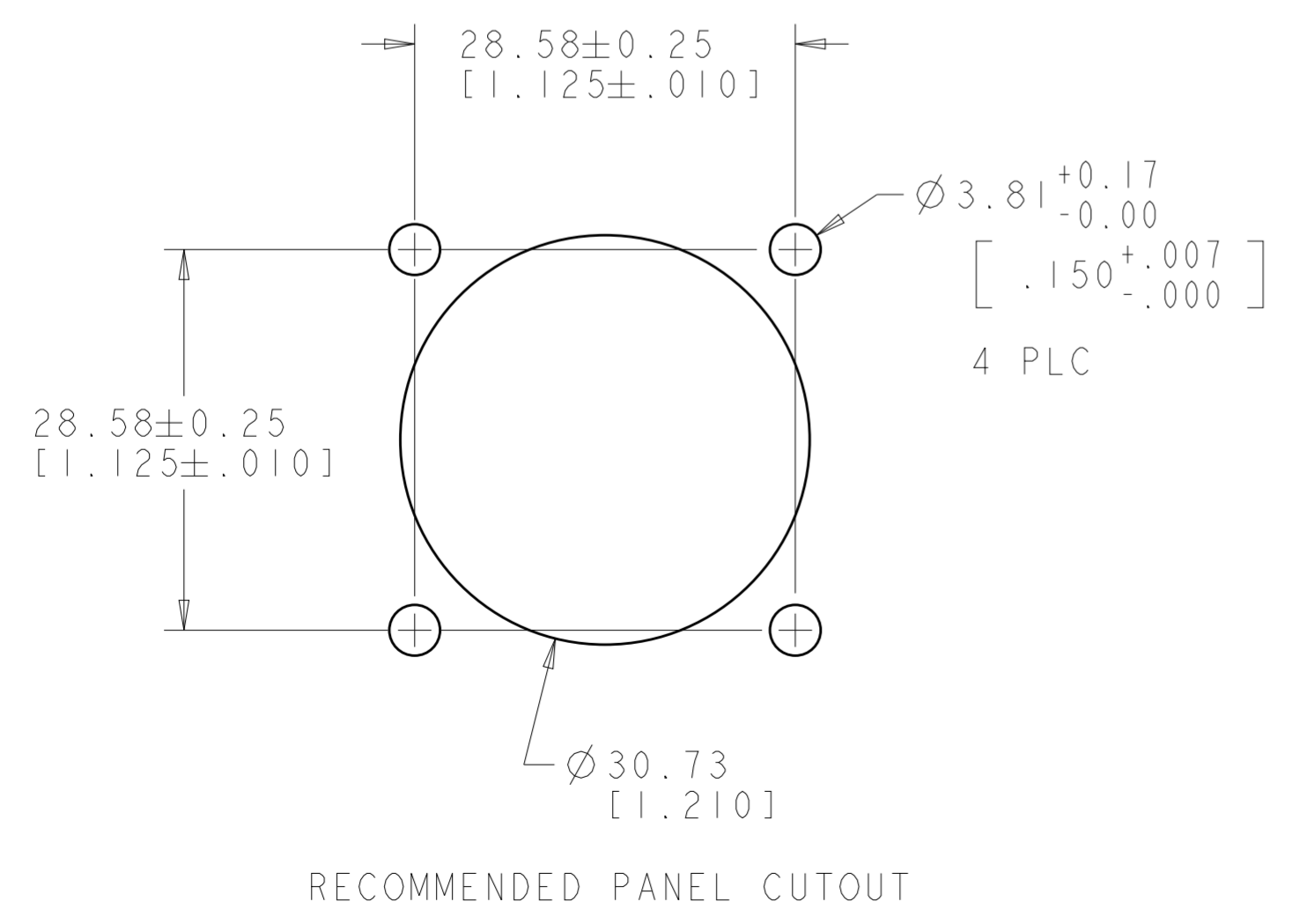
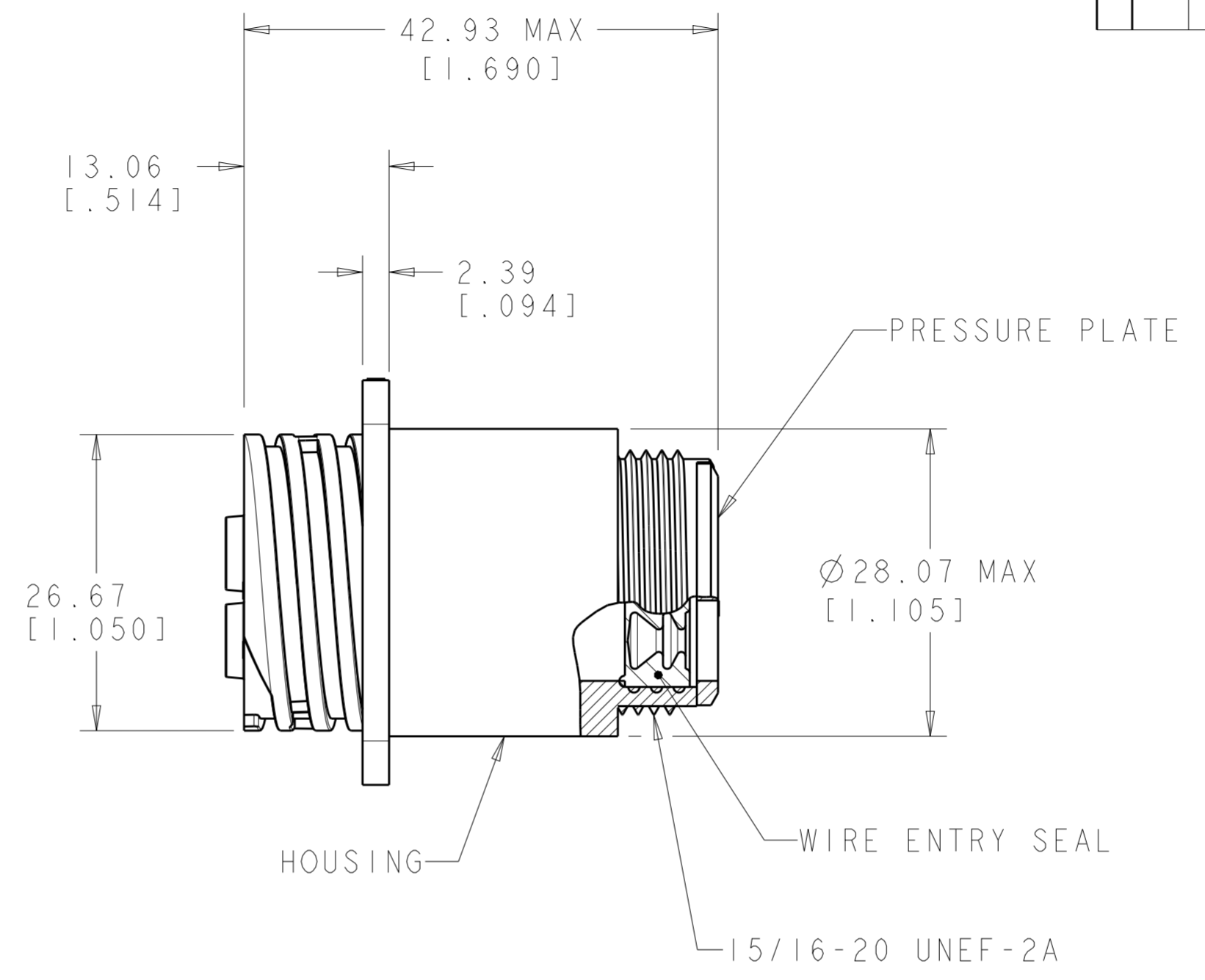
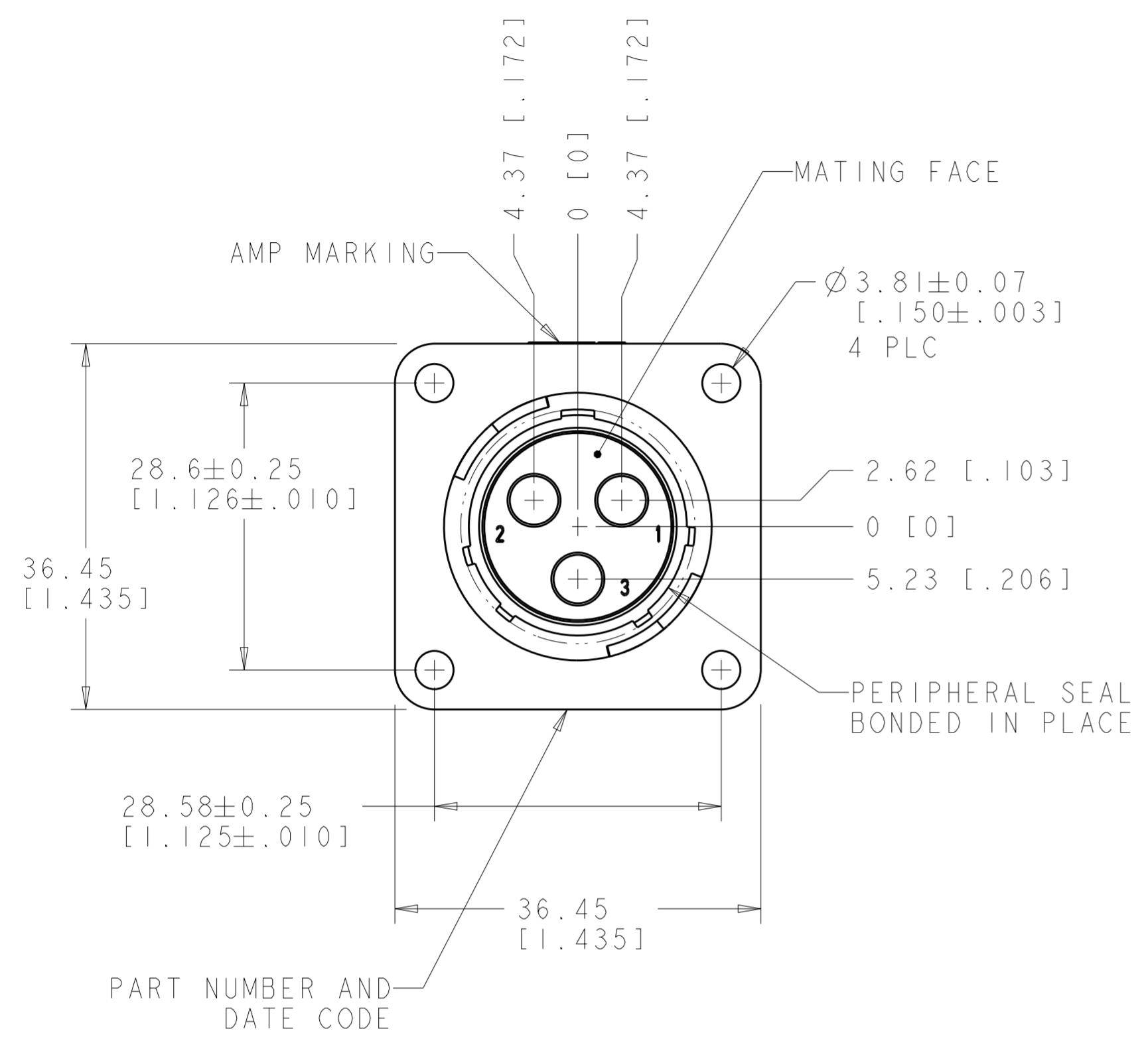


THIS DRAWING IS UNPUBLISHED. RELEASED FOR PUBLICATION
 © COPYRIGHT copyright.d8te- ALL RIGHTS RESERVED.

REVISIONS				
P	LTR	DESCRIPTION	DATE	APVD
B1		REVISED PER ECO-11-005294	30APR11	RK HMR
B2		REVISED PER ECO-17-005754	25APR2017	BDA MZ



⚠ HOUSING & PRESSURE PLATE: NYLON, BLACK.
 WIRE ENTRY SEAL: ELASTOMER, SEE CHART FOR COLOR
 PERIPHERAL SEAL: POLYESTER, BLACK.
 2. CONNECTOR WILL ACCEPT (3) POWER SOCKET CONTACTS.

RED IRON OXIDE	3.81-6.73 [.150-.265]	788189-2
BRIGHT YELLOW	2.41-5.21 [.095-.205]	788189-1
SEAL COLOR	INSULATION RANGE	PART NUMBER

THIS DRAWING IS A CONTROLLED DOCUMENT.		DWN S. WELDON 07FEB2000	STE TE Connectivity	
DIMENSIONS: mm [INCHES]		CHK K. DOWHOWER 07FEB2000		
TOLERANCES UNLESS OTHERWISE SPECIFIED:		APVD K. DOWHOWER 07FEB2000	NAME RECEPTACLE ASSY, SERIES 5, REVERSE SEX, SIZE 17-3, CIRCULAR PLASTIC CONNECTOR	
0 PLC ±	1 PLC ±	PRODUCT SPEC 108-1579	SIZE CAGE CODE DRAWING NO	
2 PLC ±0.02	3 PLC ±	APPLICATION SPEC	A200779 C-788189	
4 PLC ±	ANGLES ±	WEIGHT -	RESTRICTED TO	
FINISH -		CUSTOMER DRAWING	SCALE 2:1 SHEET 1 OF 1 REV B2	