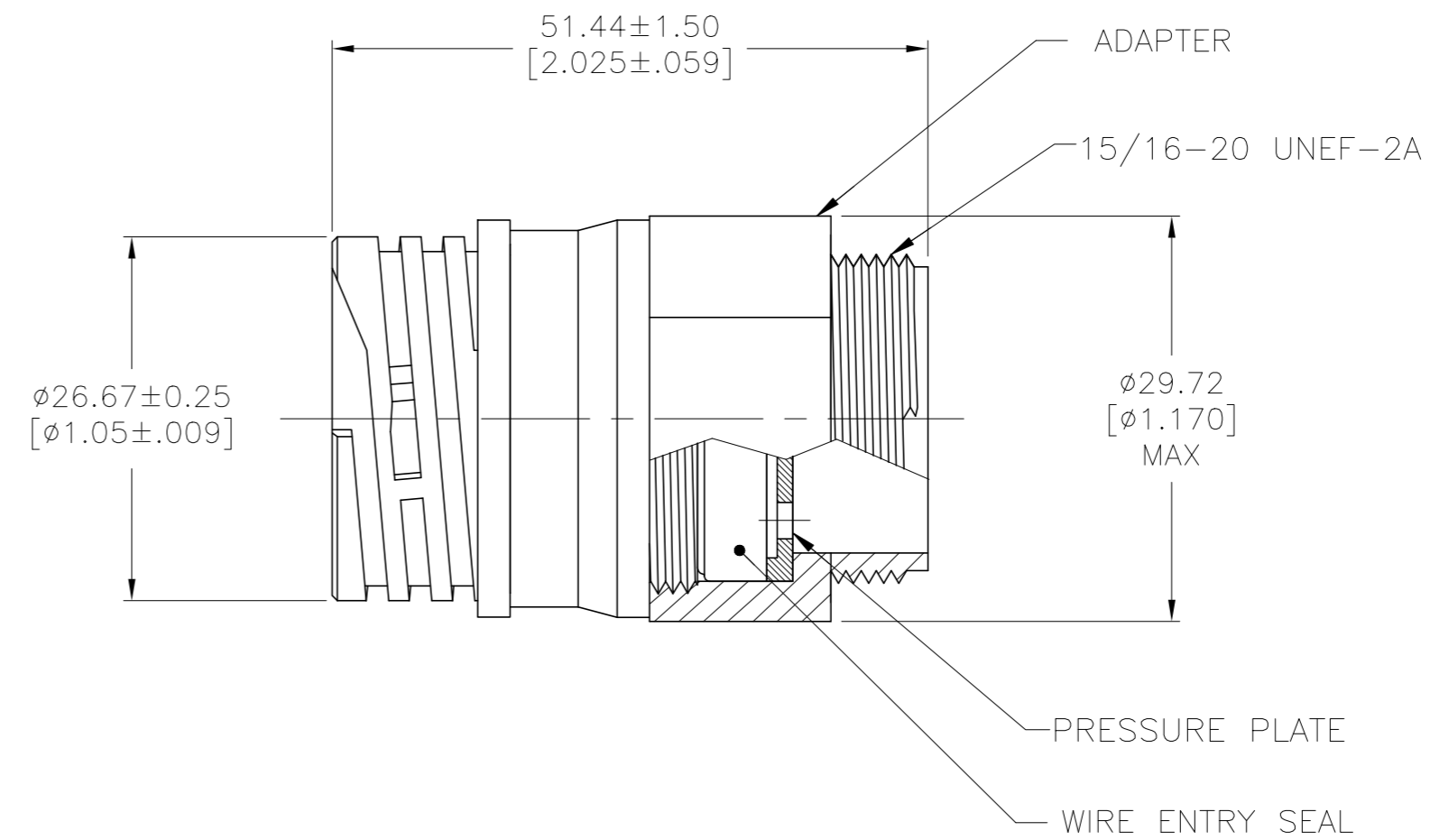
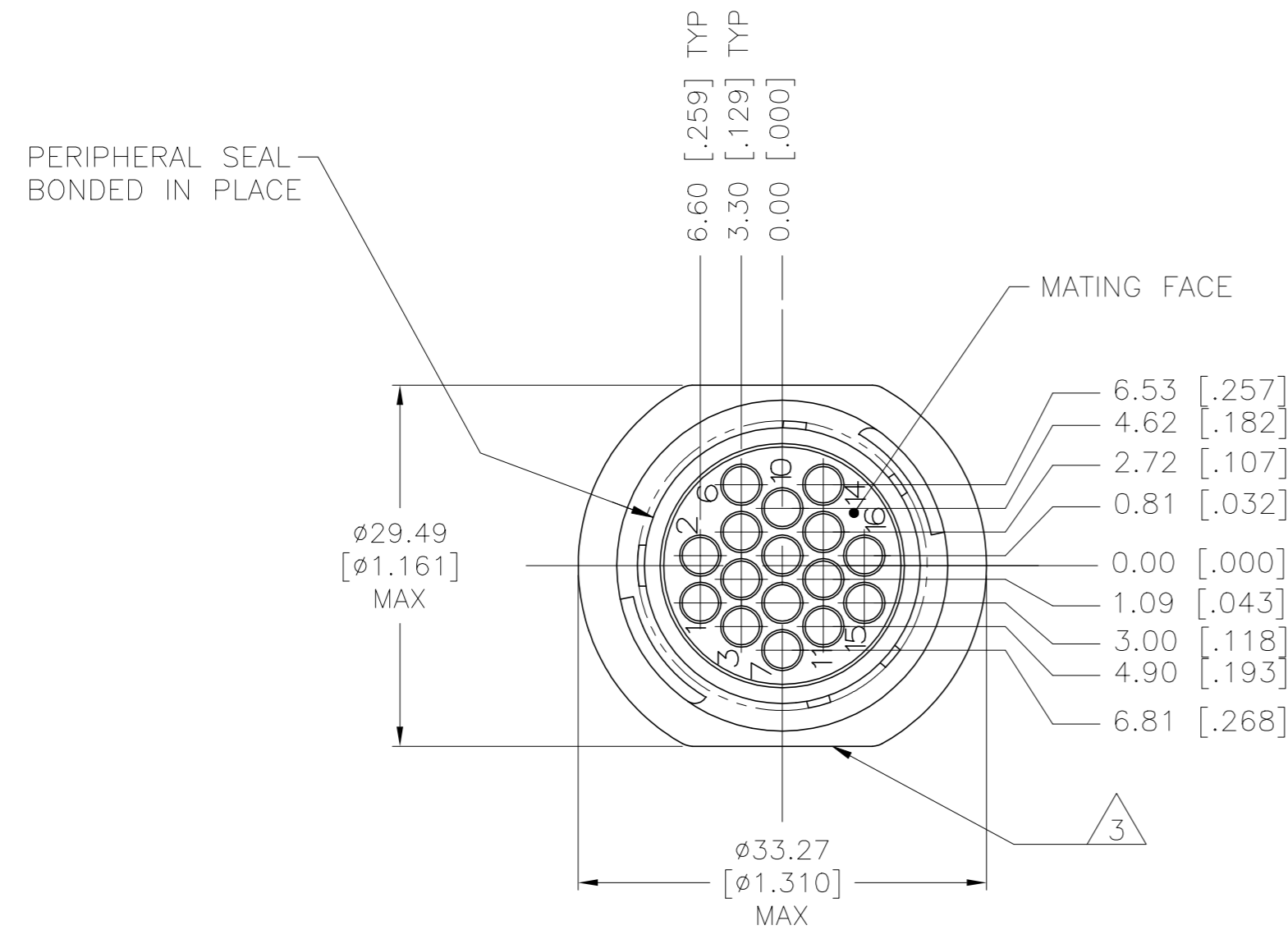


THIS DRAWING IS UNPUBLISHED. RELEASED FOR PUBLICATION
 © COPYRIGHT - By - ALL RIGHTS RESERVED.

REVISIONS					
P	LTR	DESCRIPTION	DATE	DWN	APVD
F		REVISED PER ECO-08-032010	26MAR09	HMR	MS
G		REVISED PER ECO-16-006378	03NOV2016	RS	MZ
H		REVISED PER ECO-19-007001	07MAY2019	RS	MZ

- 1 HOUSING, ADAPTER AND PRESSURE PLATE: NYLON, BLACK.
WIRE ENTRY SEAL: ELASTOMER, RED-IRON OXIDE.
PERIPHERAL SEAL: ELASTOMER, GRAY.
- 2 CONNECTOR WILL ACCEPT (16) MULTIMATE PIN CONTACTS.
- 3 PART NUMBER STAMPED ON EITHER STRAIGHT EDGE, AS INDICATED.



OBSOLETE	.040 - .080	SMALL	796276-3
	.040 - .080	SMALL	796276-2
	.065 - .100	STANDARD	796276-1
	WIRE INSULATION DIAMETER RANGE	INSULATION	PART NUMBER

THIS DRAWING IS A CONTROLLED DOCUMENT.		DWN L. McEACHIN 27-JAN-2000	STE TE Connectivity		
DIMENSIONS: mm [INCHES]		CHK K. DOWHOWER 27-JAN-2000			
TOLERANCES UNLESS OTHERWISE SPECIFIED:		APVD K. DOWHOWER 27-JAN-2000	NAME ASSEMBLY, RECEPTACLE, STD SEX, 17-16, STD OR SMALL INSULATION DIA., SEALED		
0 PLC ± - 1 PLC ± - 2 PLC ± - 3 PLC ± - 4 PLC ± - ANGLES ± -		PRODUCT SPEC -	SIZE A2	CAGE CODE 00779	DRAWING NO C=796276
MATERIAL -		FINISH -	WEIGHT -	RESTRICTED TO -	
CUSTOMER DRAWING			SCALE 2:1	SHEET 1 of 1	REV H