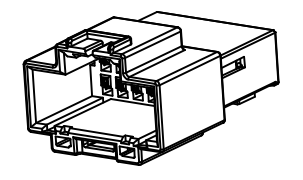
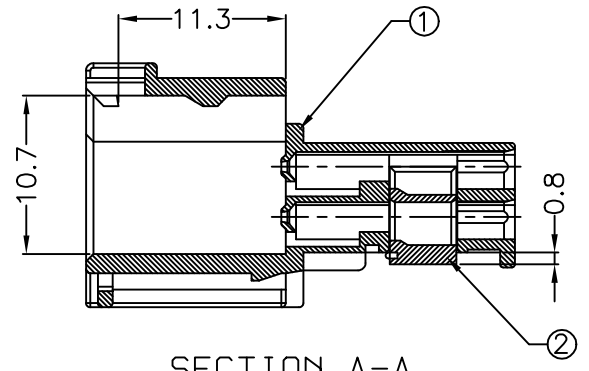
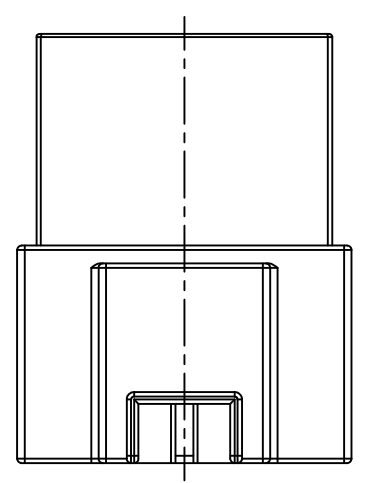


LOC	DIST	REVISIONS					
		P	LTR	DESCRIPTION	DATE	DWN	APVD
DS		0		RELEASED (FC00-0050-02)	28, MAR, '02	HS	CS
		A		REVISED (ECR-19-000184)	07, JAN, '19	SY	YJ



3D VIEW
(SCALE 1/1)

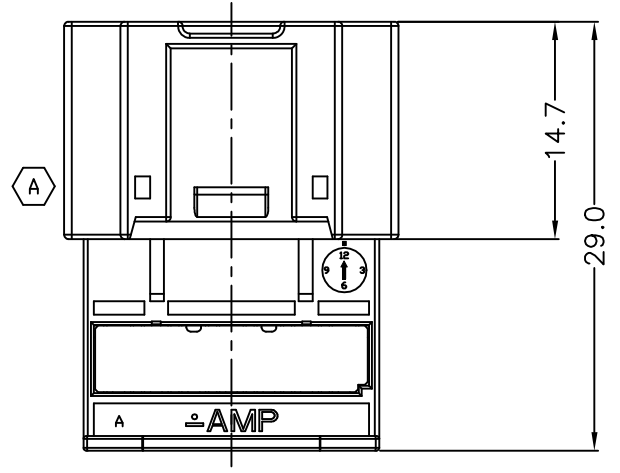
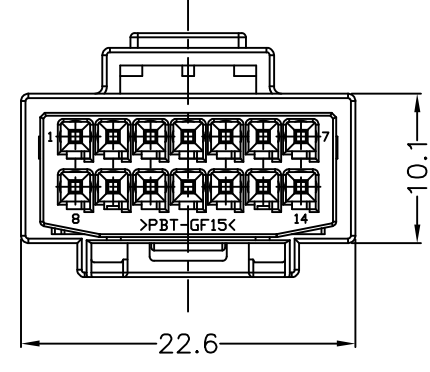
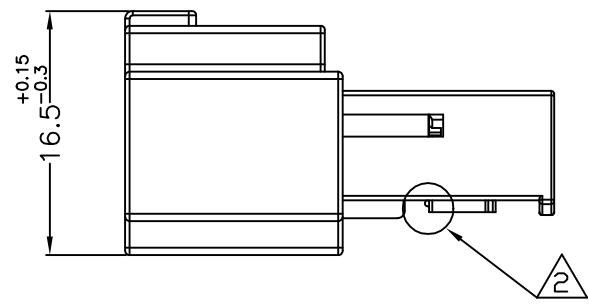
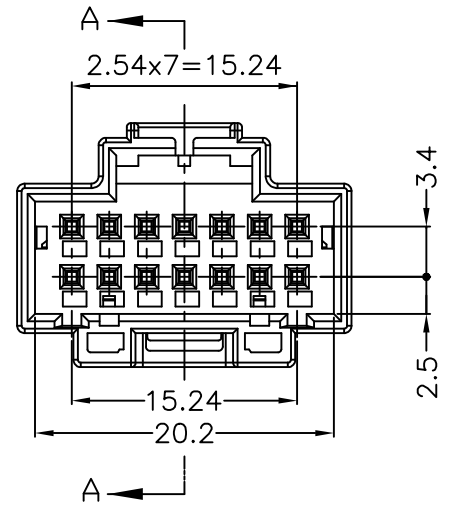
NOTES

- GENERAL TOLERANCE IS ±0.3
- CONDITION OF DELIVERY : DBL IN 1ST LOCKING POSITION
- APPLIED CLIP HSG:

Part NO.	PANEL THICKNESS	PANEL HOLE SIZE
368165	0.7~1.6mm	
368373	0.5~2.0mm	

- APPLIED PLUG ASS'Y P/N: 936124
- APPLIED TAB CONTACT P/N:

Part NO.	928918	963716
WIRE SIZE(mm ²)	0.25~0.5	0.75



1	1	936128-1	DBL HSG	PBT GF15	WHITE	2
1		936127-2	CAP HSG	PBT GF15	YELLOW	1
	1	936127-1	CAP HSG	PBT GF15	BLACK	1
Q'TY		P/N	DESCRIPTION	MATERIAL	COLOR	NO

THIS DRAWING IS A CONTROLLED DOCUMENT FOR TYCO ELECTRONICS CORPORATION
 IT IS SUBJECT TO CHANGE AND THE CONTROLLING ENGINEERING ORGANIZATION
 SHOULD BE CONTACTED FOR THE LATEST REVISION.

DIMENSIONS:	TOLERANCES UNLESS OTHERWISE SPECIFIED:
mm	
	0 PLC ±
	1 PLC ±
	2 PLC ±
	3 PLC ±
	4 PLC ±
3rd ANGLE PROJECTION	ANGLES ±
MATERIAL	FINISH
SEE TABLE	-----

DWN : HS BAE
 CHK : BM JANG
 APVD : CS LEE
 PRODUCT SPEC -----
 APPLICATION SPEC -----
 WEIGHT -----

TE TE Connectivity

NAME
MQS 14P CAP ASSEMBLY

SIZE CAGE CODE DRAWING NO RESTRICTED TO
 A3 00779 C- 936126

SCALE 2/1 SHEET 1 OF 1 REV A