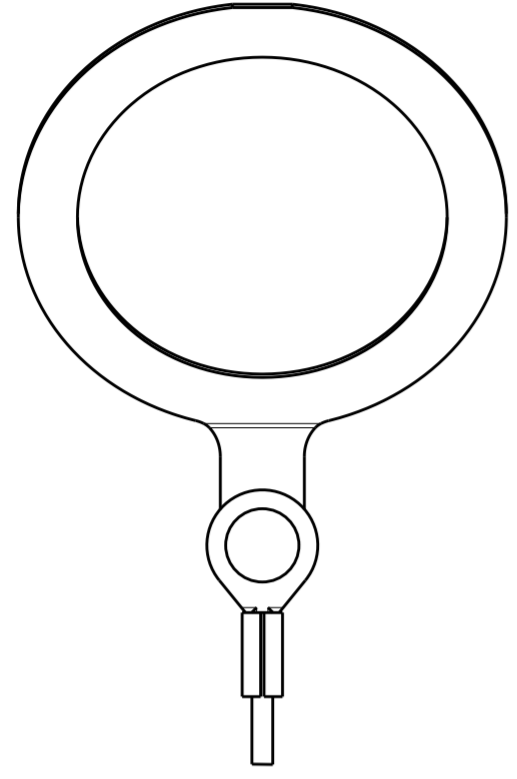
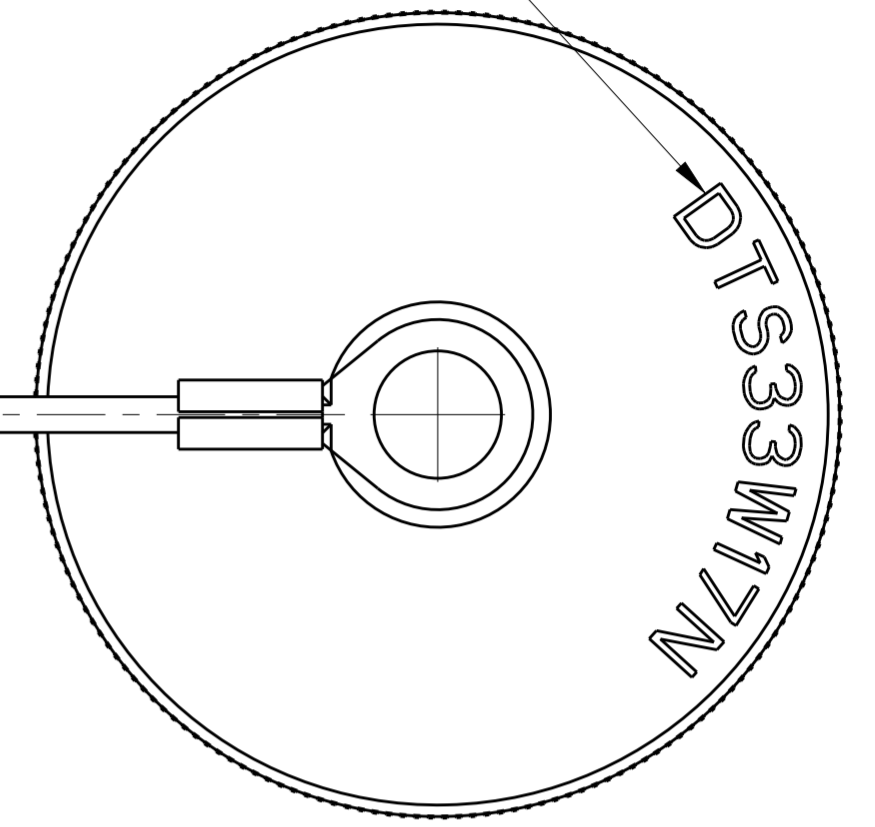


THIS DRAWING IS UNPUBLISHED. RELEASED FOR PUBLICATION 180227  
 © COPYRIGHT 180227 BY -TYCO CONNECTORS ALL RIGHTS RESERVED.

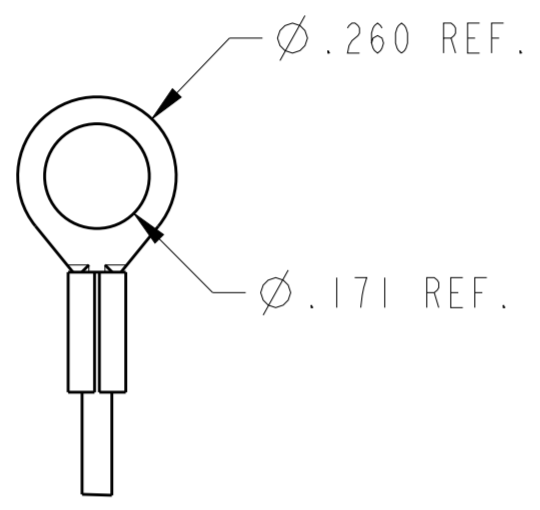
PROPERTY OF TE CONNECTIVITY  
 THIS INFORMATION IS CONFIDENTIAL AND PROPRIETARY TO TYCO ELECTRONICS CORPORATION  
 AND ITS WORLDWIDE SUBSIDIARIES AND AFFILIATES (TE). IT MAY NOT BE DISCLOSED TO  
 ANYONE OTHER THAN PERSONNEL WITHOUT AUTHORIZATION FROM TE (www.COM.com).

REVISIONS					
P	LTR	DESCRIPTION	DATE	DWN	APVD
A		AS PER ECO-18-011680	24JULY2018	NGP	NR
B		REVISED PER ECO-19-002136	12FEB2019	DCB	NR

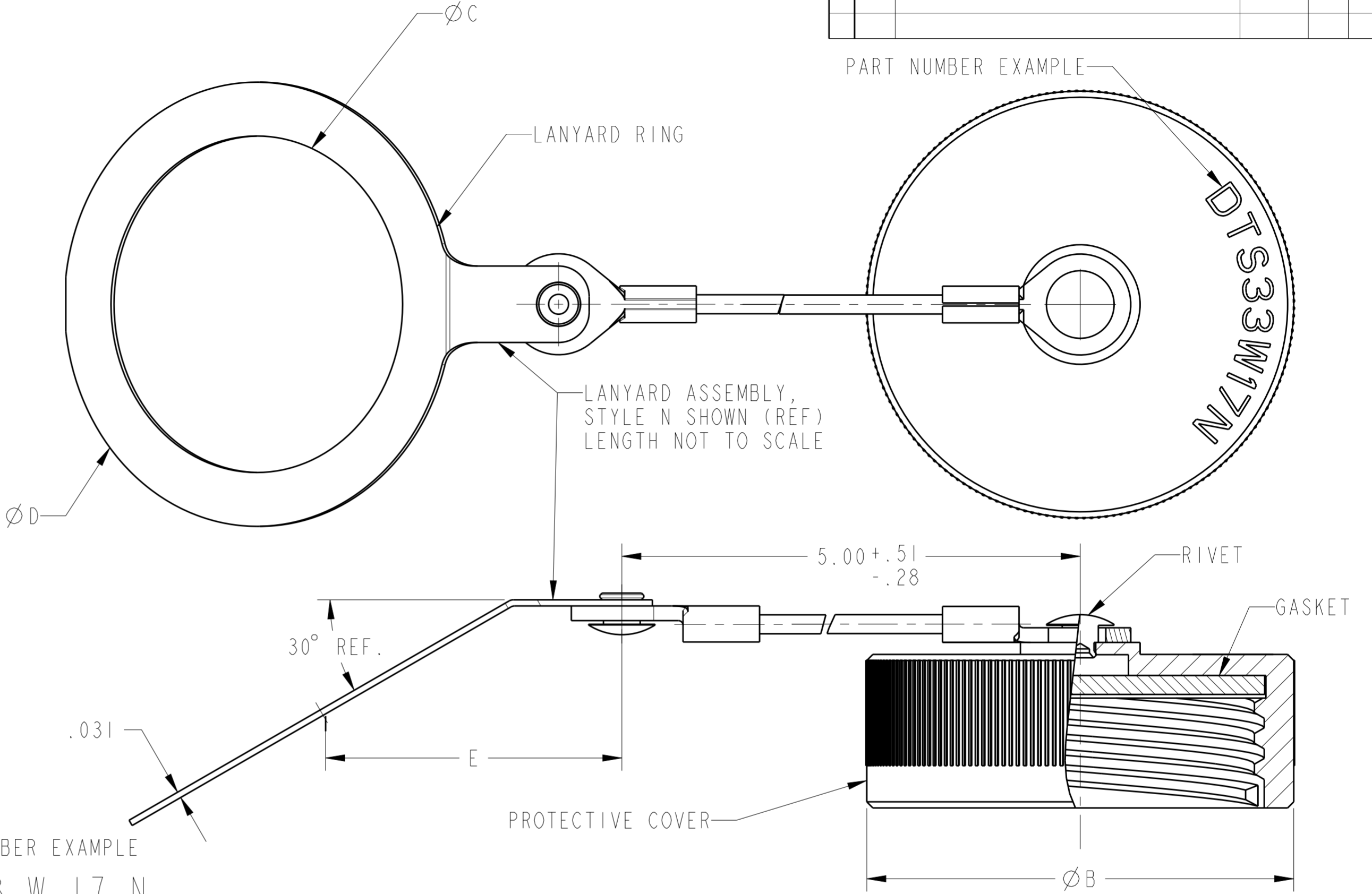
PART NUMBER EXAMPLE



STYLE N



STYLE R



MILITARY PART NUMBER EXAMPLE

D38999/33 W 17 N

STYLE N = RING  
 R = ROPE  
 SHELL SIZE  
 CLASS F = NICKEL  
 T = TEFLON NICKEL  
 W = OLIVE DRAB CADMIUM  
 Z = ZINC NICKEL

SERIES MIL-DTL-38999/33

TE PART NUMBER EXAMPLE

DTS33 W 17 N

STYLE N = RING  
 R = ROPE  
 SHELL SIZE  
 CLASS F = NICKEL  
 T = TEFLON NICKEL  
 W = OLIVE DRAB CADMIUM  
 Z = ZINC NICKEL

SERIES MIL-DTL-38999/33 TYPE

PART NUMBER	SHELL SIZE	B DIA REF	C DIA REF	D DIA REF.	E REF
DTS33x09x	09	0.812	0.719	1.051	.761
DTS33x11x	11	0.950	0.890	1.051	.761
DTS33x13x	13	1.088	1.205	1.441	.960
DTS33x15x	15	1.166	1.205	1.441	1.034
DTS33x17x	17	1.323	1.275	1.614	1.055
DTS33x19x	19	1.442	1.579	1.790	1.228
DTS33x21x	21	1.560	1.579	1.790	1.228
DTS33x23x	23	1.678	1.688	2.031	1.289
DTS33x25x	25	1.836	1.765	2.177	1.328

2. OPTION N TO BE ROPE WITH LARGE RING, SEE TABLE.

1. MATERIAL/FINISH  
 PLUG PROTECTIVE COVER - ALUMINUM ALLOY/PLATING PER PART NUMBER CALL OUT.  
 LANYARD RING - STAINLESS STEEL

NOTES: UNLESS OTHERWISE SPECIFIED.

THIS DRAWING IS A CONTROLLED DOCUMENT.

DIMENSIONS: INCHES	TOLERANCES UNLESS OTHERWISE SPECIFIED: 0 PLC ±.1 1 PLC ±.01 2 PLC ±.005 3 PLC ±.0005 4 PLC ANGLE ±.5° FINISH SEE NOTE 1	DWN SAMUEL S. 180312 CHK SAMUEL S. 180312 APVD ALEX RENGIFO 190312	TE Connectivity NAME RECEPTACLE, PROTECTIVE COVER MIL-DTL-38999/33 TYPE ENVELOPE SIZE A2 CAGE CODE 00779 DRAWING NO. DTS33xxx RESTRICTED TO - SCALE 3.500 SHEET 1 OF 1 REV B
--------------------	---	--	--

MATERIAL SEE NOTE 1  
 CUSTOMER DRAWING