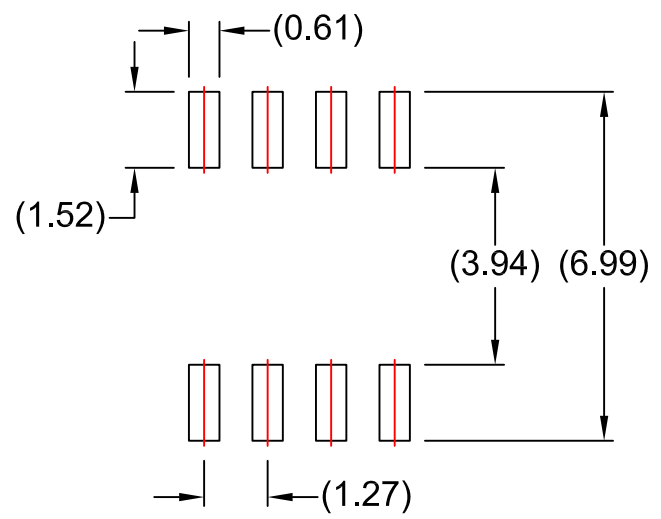
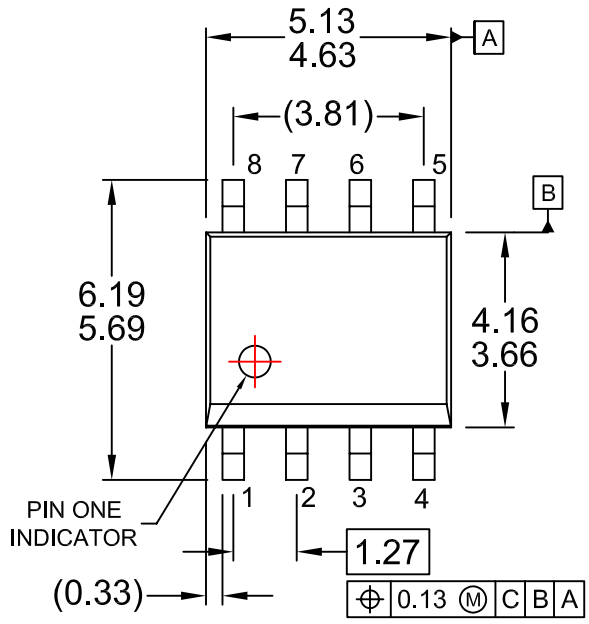
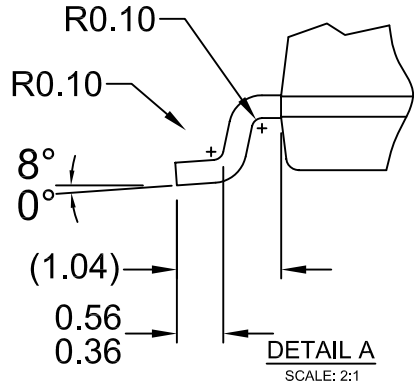
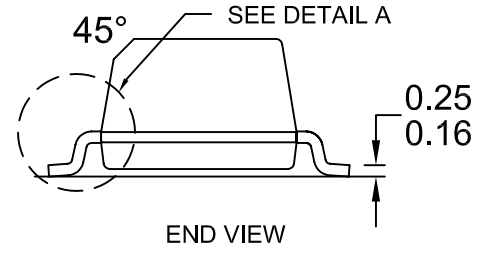
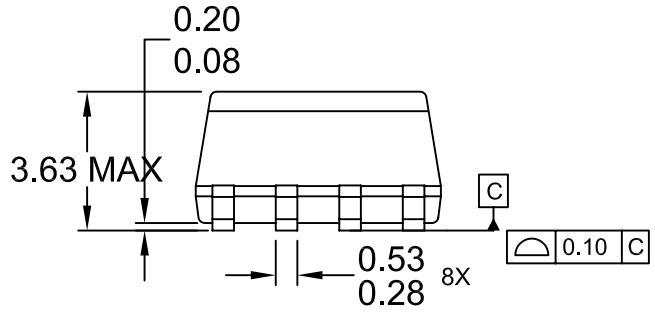


REVISIONS			
Ltr	Description	Date	DRAWN/SITE
0	RELEASED PER ECN K-11989	03-22-99	SUBRA
1	UPDATE TABLE PER ECN K-12528	05-02-00	R.RASAMMAL
2	UPDATE FSC LOGO PER ECN K-13836	01-10-04	JAYASELAN
3	FULL UPDATE OF ESP-3989-00 TO FSC MKT 0001 REISSUE ESP-3989-00 AS MKT-M08E	16-6-2008	H.ALLEN/FSME
4	DELETED STYLE 1,2,3,4,GAGE PLANE & SEATING PLANE	18-8-2008	WEE LING



LAND PATTERN RECOMMENDATION



NOTES:

- A) NO STANDARD APPLIES TO THIS PACKAGE
- B) ALL DIMENSIONS ARE IN MILLIMETERS.
- C) DIMENSIONS DO NOT INCLUDE MOLD FLASH OR BURRS.
- D) LANDPATTERN STANDARD: SOIC127P600X175-8M.
- E) DRAWING FILENAME: M08EPREV4

APPROVALS		DATE			
DRAWN H.ALLEN		16 JUN 08			
DFTG. CHK.				8LD,SOIC, .150" BODY, OPTO, WHITE COPLANAR	
ENGR. CHK.					
PROJECTION					
		SCALE	SIZE	DRAWING NUMBER	REV
		N/A		MKT-M08E	4
DO NOT SCALE DRAWING				SHEET 1 of 1	