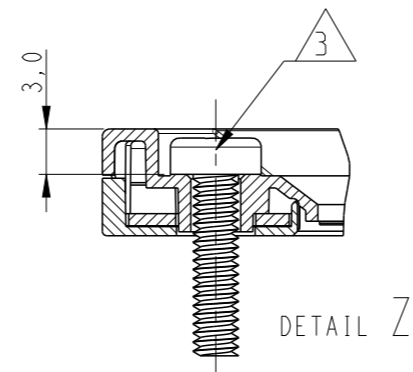
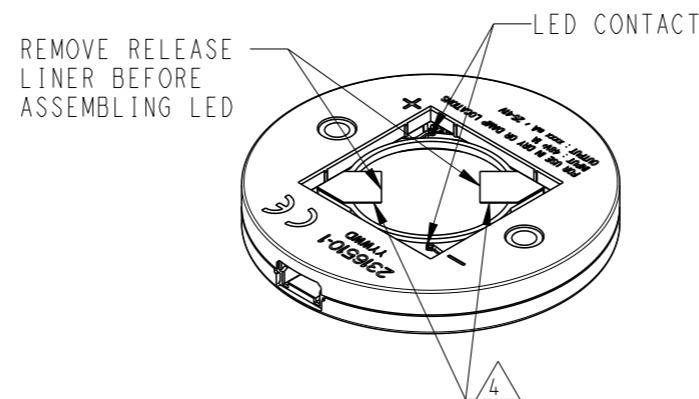
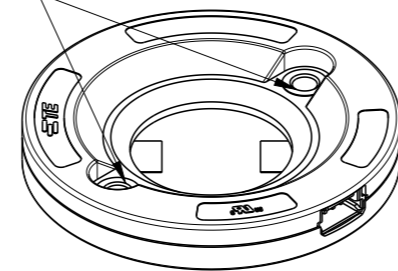
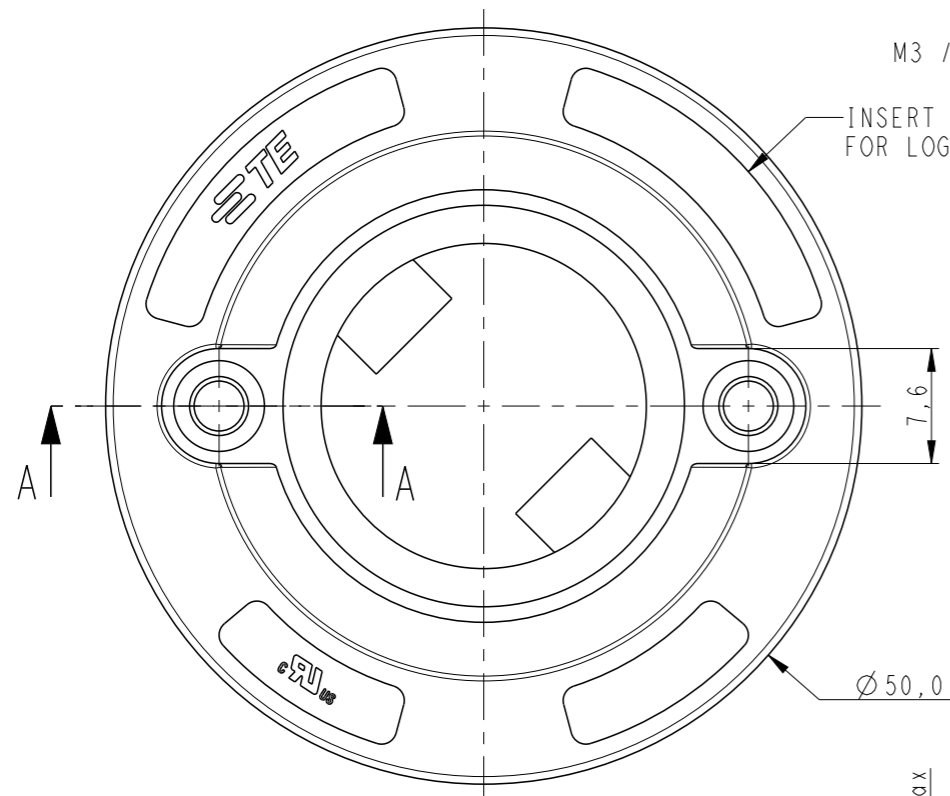


REVISIONS

P	LTR	DESCRIPTION	DATE	DWN	APVD
B3		REVISED PER ECR-19-007053	02MAY2019	SS	MG

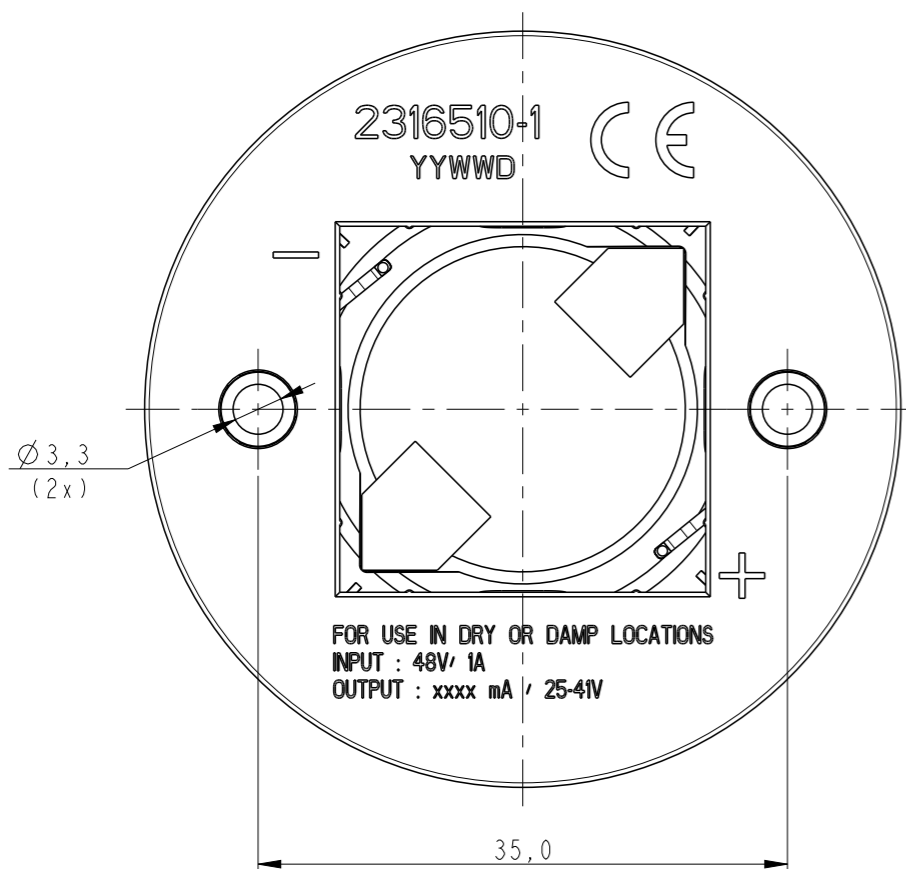
NOTES:

- MATERIALS:
 HOUSING: GLASS FILLED PBT, HALOGEN FREE FLAME RETARDANT
 COLOR : NATURAL
 CONTACTS: GOLD PLATED COPPER ALLOY
- PRODUCT COMPLIES WITH RESTRICTION ON HAZARDOUS SUBSTANCES DIRECTIVE 2011/65/EU
- SCREW TO BE USED - PAN HEAD M3, #4-40, LENGTH 12mm MIN. RECOMMENDED SCREW TORQUE: 0.4 - 0.6 Nm
- LED RETENTION ON 2 CORNERS WITH DOUBLE SIDED ADHESIVE TAPE.
- MATING CONNECTOR TE PART NO: 353908-4 OR 6-353908-4
- DIMENSIONS SHOWN ARE IN MATED POSITION WITH LED
- SEE SHEET 3 FOR RECOMMENDED PIN LAYOUT & ADDITIONAL INFORMATION
- ELECTRICAL RATINGS:
 - USE WITH A 48V DC CONSTANT VOLTAGE CLASS 2 POWER SUPPLY, ±10% TOLERANCE
 - LED FORWARD VOLTAGE HAVE THE FOLLOWING RANGE: 25 - 41VDC
- FOR COB-TO-HOLDER CROSS REFERENCE, REFER TO APPLICATION SPECIFICATION 114-32208



PRODUCT DATA SHEET I-1773935-6 FOR ADDITIONAL INFORMATION

CURRENT (mA)	LED TYPE	DESCRIPTION	WEIGHT (g)	PART NO
1050	16 x 19	0-10 V, 1.05A, 16x19	9.56	3-2316510-4
	19 x 19	0-10 V, 1.05A, 19x19	9.46	3-2316510-3
	20 x 24	0-10 V, 1.05A, 20x24	9.41	3-2316510-2
	24 x 24	0-10 V, 1.05A, 24x24	9.17	3-2316510-1
700	16 x 19	0-10 V, 0.7A, 16x19	9.56	2-2316510-4
	19 x 19	0-10 V, 0.7A, 19x19	9.46	2-2316510-3
	20 x 24	0-10 V, 0.7A, 20x24	9.41	2-2316510-2
	24 x 24	0-10 V, 0.7A, 24x24	9.17	2-2316510-1
500	16 x 19	0-10 V, 0.5A, 16x19	9.56	1-2316510-4
	19 x 19	0-10 V, 0.5A, 19x19	9.46	1-2316510-3
	20 x 24	0-10 V, 0.5A, 20x24	9.41	1-2316510-2
	24 x 24	0-10 V, 0.5A, 24x24	9.17	1-2316510-1
350	16 x 19	0-10 V, 0.35A, 16x19	9.56	2316510-4
	19 x 19	0-10 V, 0.35A, 19x19	9.46	2316510-3
	20 x 24	0-10 V, 0.35A, 20x24	9.41	2316510-2
	24 x 24	0-10 V, 0.35A, 24x24	9.17	2316510-1



THIS DRAWING IS A CONTROLLED DOCUMENT.

DWN 07MAR2017 RAGHAVENDRA.K
 CHK 07MAR2017 P.PETER
 APVD 07MAR2017 O.IEIJNSE

PRODUCT SPEC 108-133082
 APPLICATION SPEC 114-133082

WEIGHT -

CUSTOMER DRAWING

SCALE 5:1 SHEET 1 OF 3 REV B3

STE TE Connectivity

NAME LUMAWISE DRIVE TYPE Z50 0-10 V VERSION

SIZE A3 CAGE CODE 00779 DRAWING NO C-2316510 RESTRICTED TO -

4

3

2

1

THIS DRAWING IS UNPUBLISHED.

RELEASED FOR PUBLICATION

2017

© COPYRIGHT 2017 BY -

ALL RIGHTS RESERVED.

REVISIONS

P	LTR	DESCRIPTION	DATE	DWN	APVD

AS SHOWN 2316510-1
SCALE 1:1

Ø21,5

9,24±0,25 (2x) \triangle
9,36±0,25 (2x) \triangle
24,2
24,2
19,3

2316510-1
YYWWD

FOR USE IN DRY OR DAMP LOCATIONS
INPUT : 48V 1A
OUTPUT : xxx mA / 25-4W

AS SHOWN 2316510-2
SCALE 1:1

Ø18,0

7,13±0,25 (2x) \triangle
9,12±0,25 (2x) \triangle
20,3
24,2
19,3

2316510-2
YYWWD

FOR USE IN DRY OR DAMP LOCATIONS
INPUT : 48V 1A
OUTPUT : xxx mA / 25-4W

AS SHOWN 2316510-3
SCALE 1:1

Ø17,7

7,55±0,25 (2x) \triangle
7,50±0,25 (2x) \triangle
19,3
19,3

2316510-3
YYWWD

FOR USE IN DRY OR DAMP LOCATIONS
INPUT : 48V 1A
OUTPUT : xxx mA / 25-4W

AS SHOWN 2316510-4
SCALE 1:1

Ø14,0

6,05±0,25 (2x) \triangle
7,50±0,25 (2x) \triangle
16,3
19,3

2316510-4
YYWWD

FOR USE IN DRY OR DAMP LOCATIONS
INPUT : 48V 1A
OUTPUT : xxx mA / 25-4W

THIS DRAWING IS A CONTROLLED DOCUMENT.

DWN 07MAR2017
RAGHAVENDRA.KCHK 07MAR2017
P.PETERAPVD 07MAR2017
O.IFIJNSEPRODUCT SPEC
108-133082APPLICATION SPEC
114-133082WEIGHT
-

CUSTOMER DRAWING

DIMENSIONS:

mm

TOLERANCES UNLESS
OTHERWISE SPECIFIED:

0 PLC	±-
1 PLC	±0.2
2 PLC	±0.1
3 PLC	±-
4 PLC	±-
ANGLES	±-
FINISH	-

MATERIAL
SEE NOTES

TE Connectivity

NAME
LUMAWISE DRIVE TYPE Z50
0-10 V VERSION

RESTRICTED TO

SIZE A3 CAGE CODE 00779 DRAWING NO. C-2316510

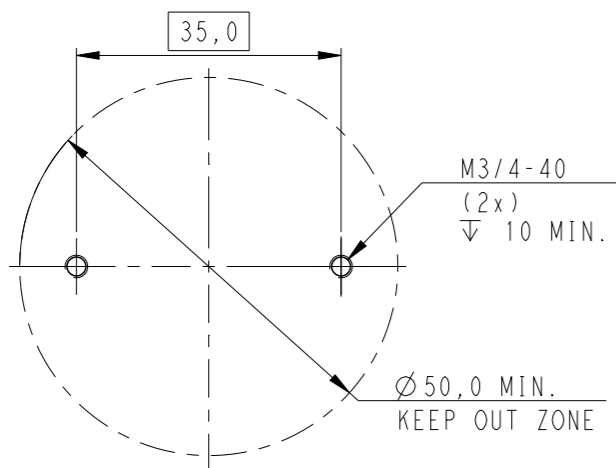
SCALE 5:1 SHEET 2 OF 3 REV B3

1470-19 (3/13)

REVISIONS

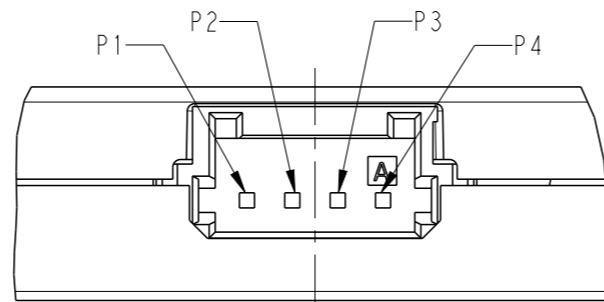
P	LTR	DESCRIPTION	DATE	DWN	APVD

RECOMMENDED DRILLING HOLE PATTERN



PIN LAYOUT

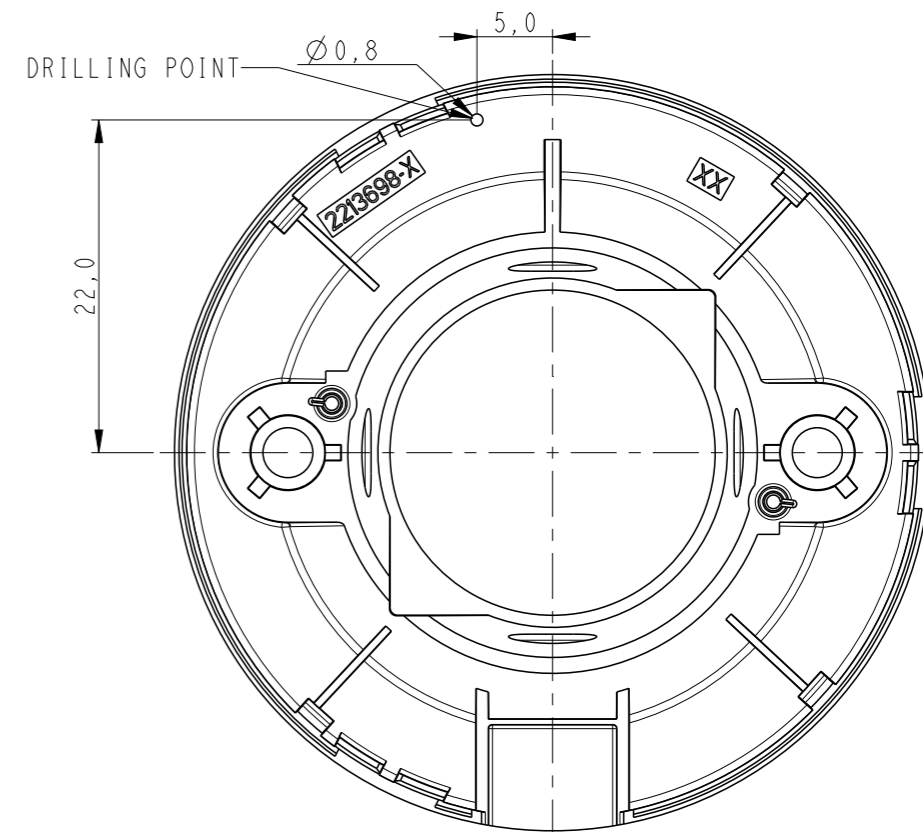
SCALE 4:1



P1	DIM (+)
P2	DIM (-)
P3	48VIN (+)
P4	48VIN (-) GND

DRILLING LOCATION FOR Tc TESTING

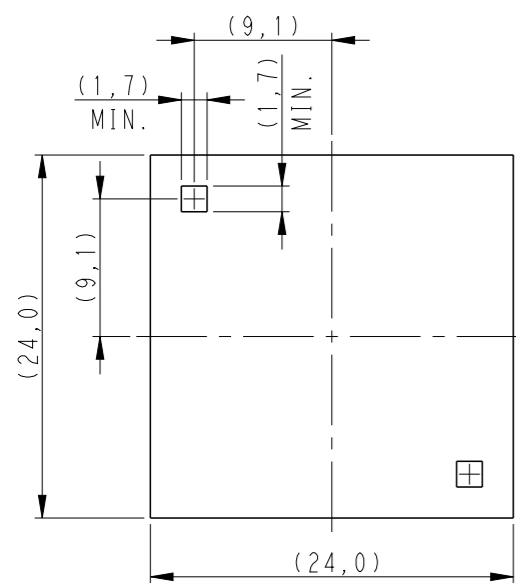
ONLY TOP COVER SHOWN



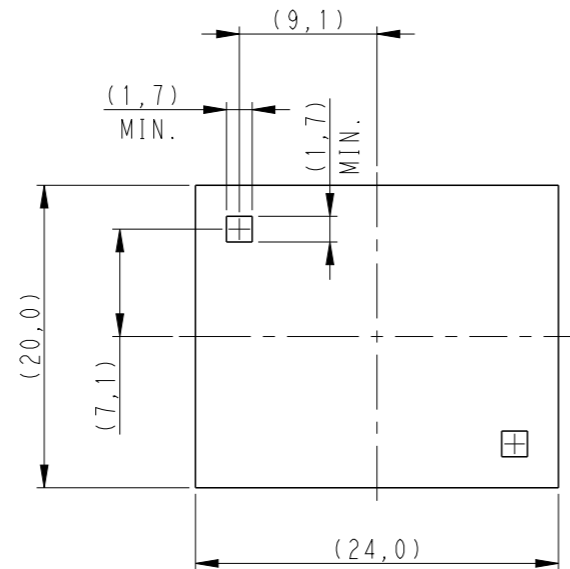
NOMINAL LED INFO:

THE SKETCH BELOW IS SHOWING THE ZHAGA BOOK 12 COB DIMENSIONS TO MATCH WITH THE LUMAWISE DRIVE TYPE Z50 LED HOLDER

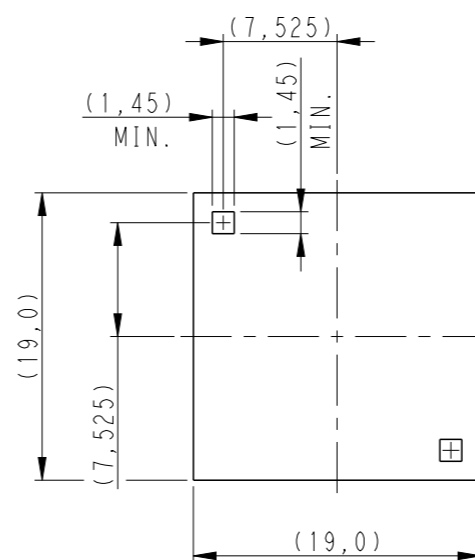
24x24 LAYOUT



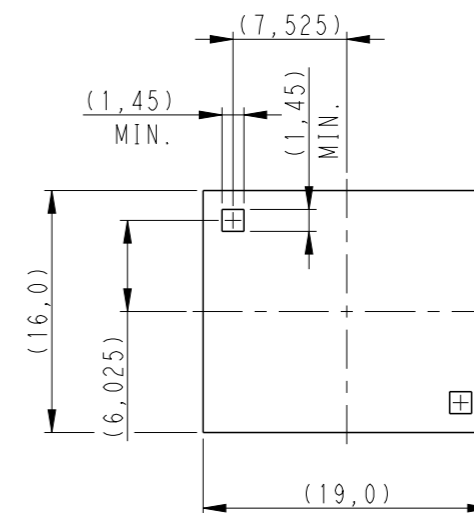
20x24 LAYOUT



19x19 LAYOUT



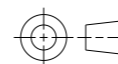
16x19 LAYOUT



THIS DRAWING IS A CONTROLLED DOCUMENT.

DIMENSIONS:

mm



TOLERANCES UNLESS OTHERWISE SPECIFIED:

0 PLC	±-
1 PLC	±0.2
2 PLC	±0.1
3 PLC	±-
4 PLC	±-
ANGLES	±-
FINISH	-

MATERIAL SEE NOTES

DWN 07MAR2017

RAGHAVENDRA.K

CHK P.PETER 07MAR2017

APVD O.IEIJNSE 07MAR2017

PRODUCT SPEC

108-133082

APPLICATION SPEC

114-133082

WEIGHT -

CUSTOMER DRAWING

NAME

LUMAWISE DRIVE TYPE Z50
0-10 V VERSION

SIZE

A3

CAGE CODE

00779

DRAWING NO

C-2316510

RESTRICTED TO

-

SCALE 2:1

SHEET 3 OF 3

REV B3



TE Connectivity