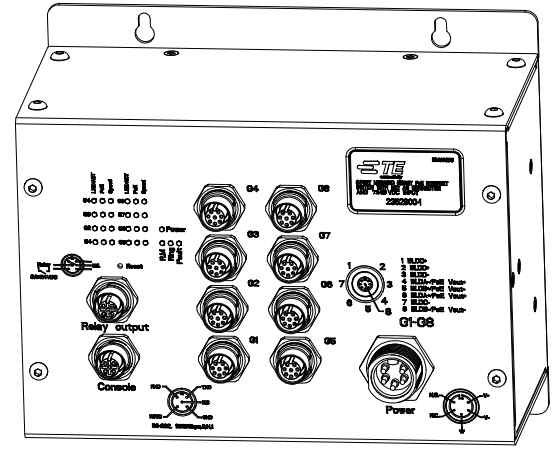
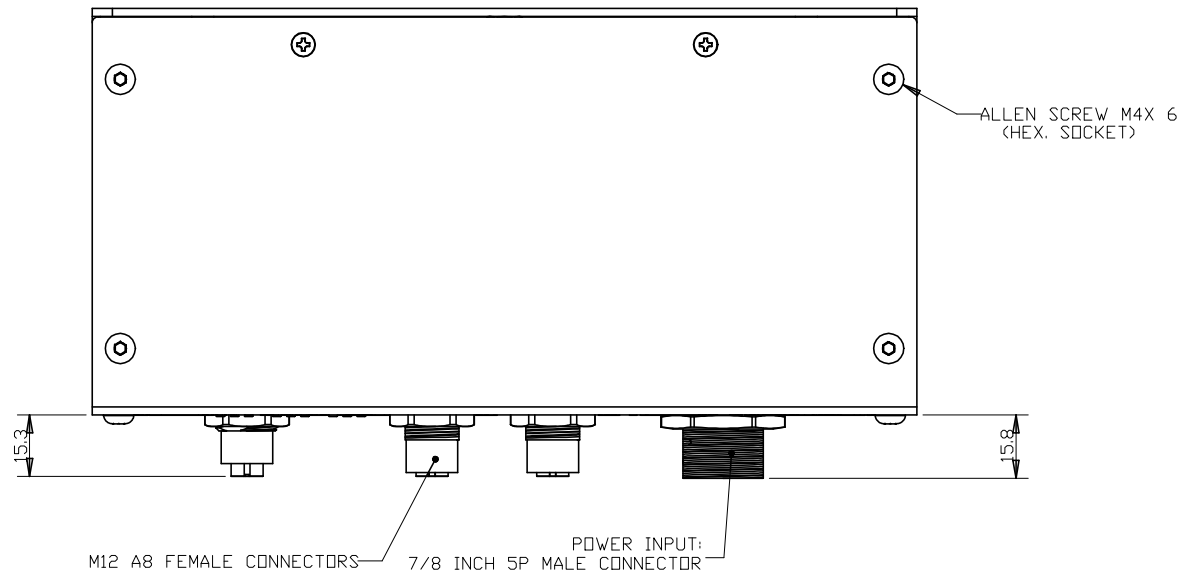


PROJECT	PRJ-17-000905364
PART NO.	2352900-1
DESCRIPTION	8P MAN POE SWITCH 1GB 110V
CUSTOMER	GENERAL MARKET

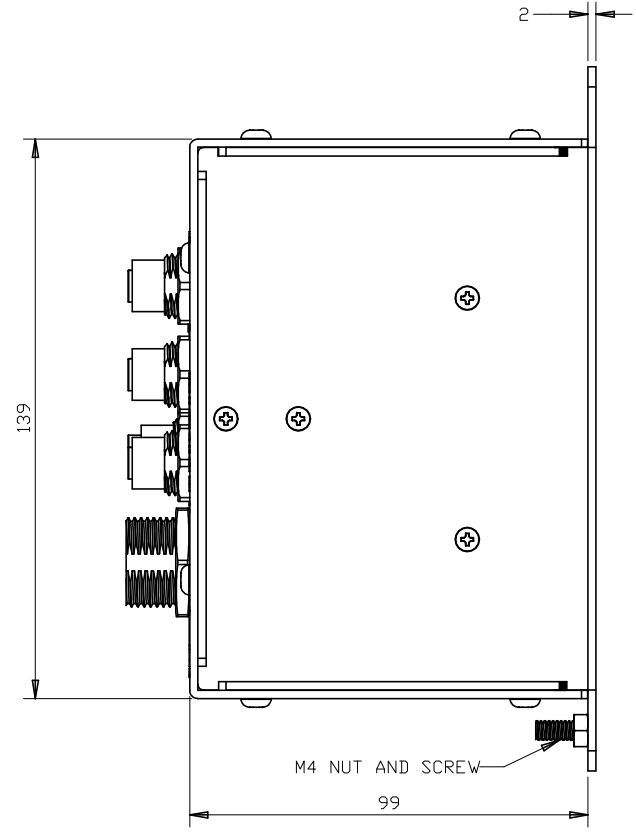
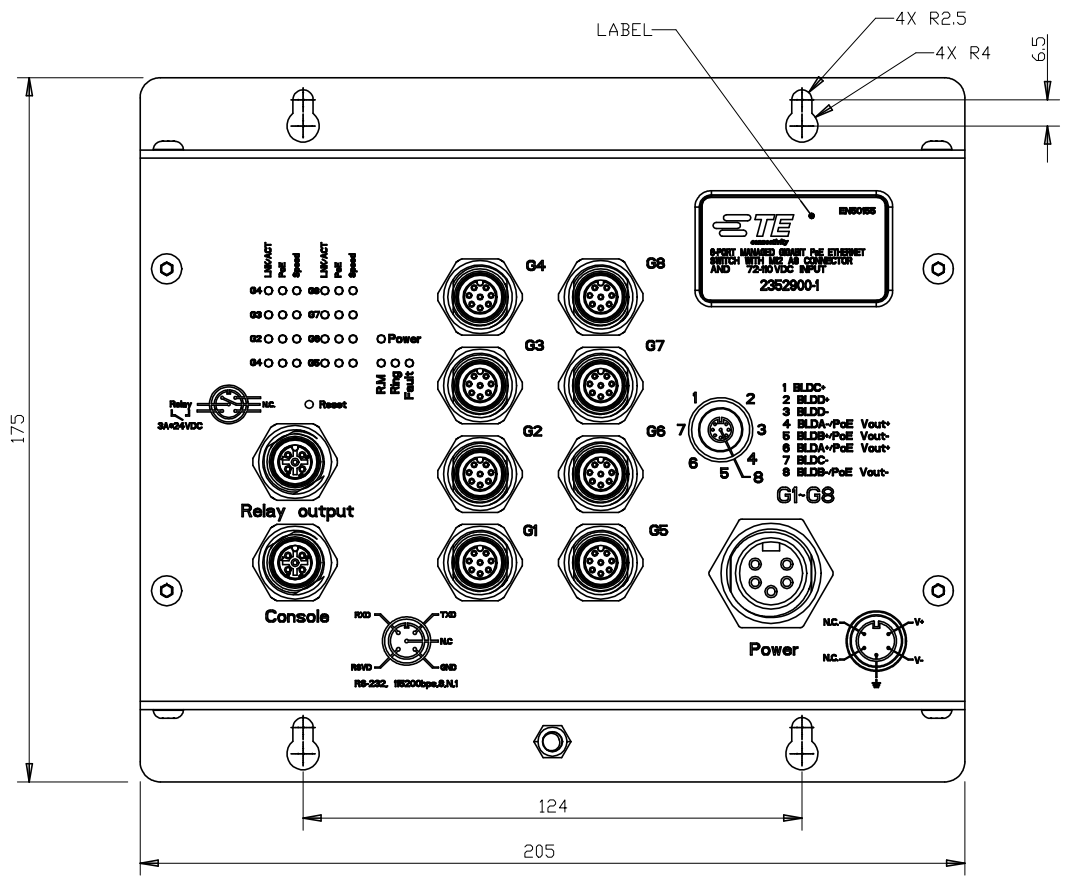
REVISIONS					
P	LTR	DESCRIPTION	DATE	DWN	APVD
A		INITIAL RELEASE	15MAY2019	GK	SE

NOTES:

1. LEADING EN50155-COMPLIANT ETHERNET SWITCH FOR INDUSTRIAL APPLICATIONS, SUCH AS ROLLING STOCK, VEHICLE, AND RAILWAY APPLICATIONS.
2. M12 CONNECTORS TO GUARANTEE RELIABLE OPERATION AGAINST ENVIRONMENTAL DISTURBANCES.
3. RIGID IP-30 HOUSING DESIGN AND WALL MOUNTED.



PICTORIAL VIEW



FUNCTION	CONNECTOR ON SWITCH	REMARKS
RELAY	M12 FEMALE A5 CODED	3A AT 24VDC
CONSOLE	M12 FEMALE A5 CODED	115200bps, 8, N, 1
POWER	7/8 INCH 5P MALE	72-110VDC
PORTS G1 TO G8	M12 FEMALE A8 CODED	-

SL.NO.	PART NO.	DESCRIPTION	NO. OF PORTS	POE PORTS	SPEED	INPUT POWER
1	2352900-1	8-PORT MANAGED GIGABIT POE ETHERNET SWITCH WITH M12 A8 CONNECTOR AND 50.4-154VDC INPUT	8	8	10/100/1000 Base-T(X)	72-110 VDC

THIS DRAWING IS A CONTROLLED DOCUMENT.

DWN	15MAY2019	TE Connectivity	
CHK	15MAY2019		
APVD	15MAY2019	NAME	
PRODUCT SPEC		8 PORT MANAGED POE SWITCH 1GB	
APPLICATION SPEC			
SIZE	CAGE CODE	DRAWING NO	RESTRICTED TO
0	A2	00779	C-2352900
WEIGHT	0	CUSTOMER DRAWING	SCALE NTS SHEET 1 of 1 REV A

2352900