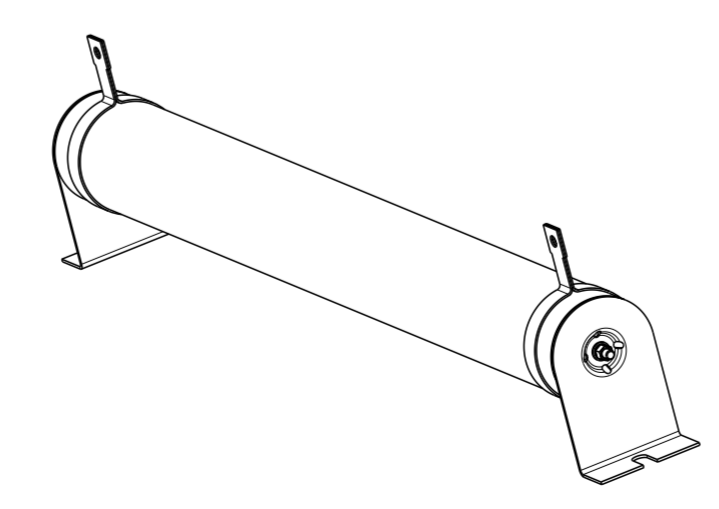
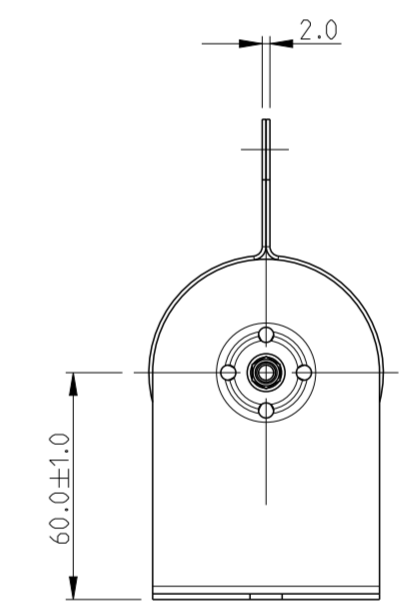
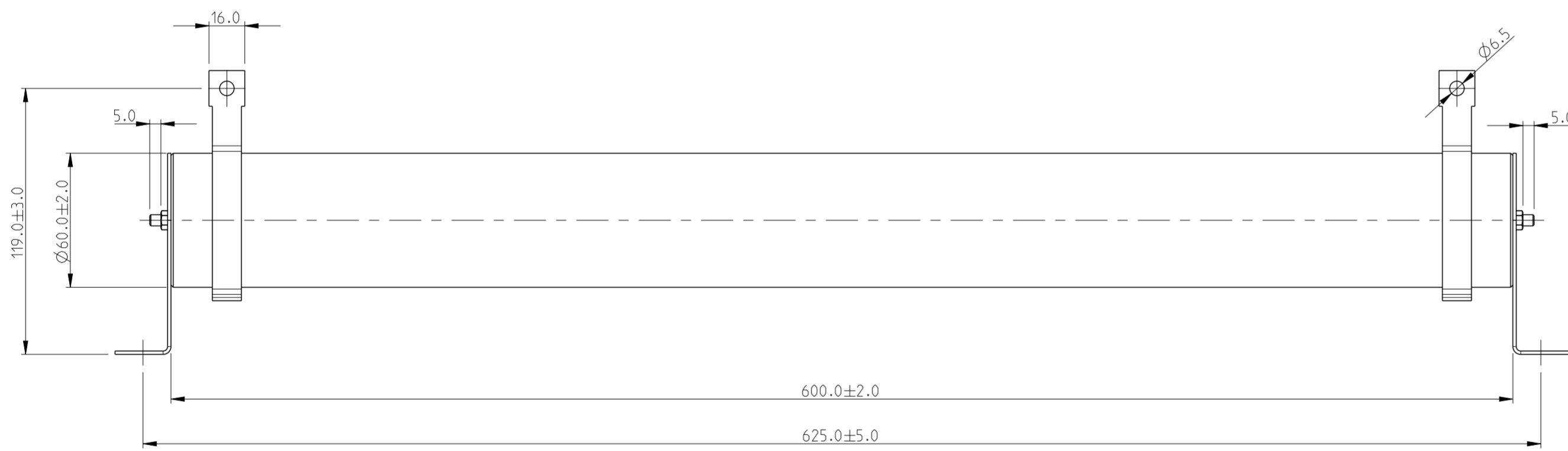
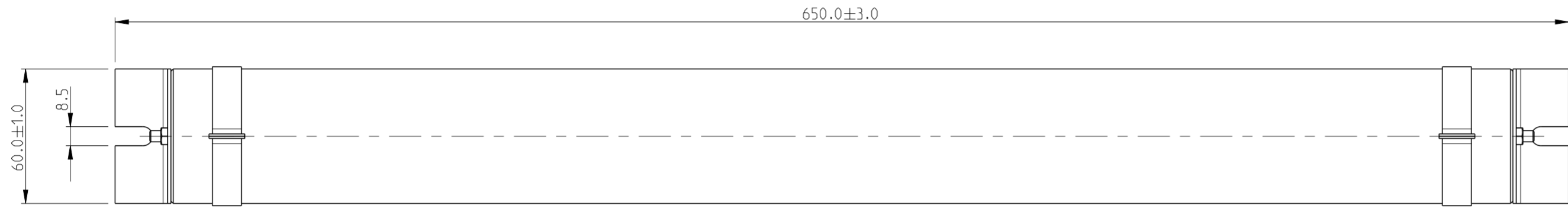


THIS DRAWING IS UNPUBLISHED. RELEASED FOR PUBLICATION 2009
 © COPYRIGHT 2009 ALL RIGHTS RESERVED.

LOC		DIST		REVISIONS			
P	LTR	DESCRIPTION		DATE	DWN	APVD	
	BB	INITIAL RELEASE		19NOV2015	KR	TN	

- NOTES:
1. RATED POWER: 2500W
 2. TEMPERATURE COEFFICIENT OF RESISTANCE: $< \pm 400 \text{ppm}/^\circ\text{C}$
 3. INSULATION RESISTANCE DC 500V - 20 M Ohms MIN.
 4. FAULT CONDITION: 11kW FOR 3 SECONDS
 5. FOR FURTHER INFORMATION SEE DATASHEET FOR TE SERIES HIGH POWER WIRE WOUND RESISTOR
 6. FOR SPECIFIC PART NUMBER, RESISTANCE VALUE AND TOLERANCE PLEASE REFER TO SMART PART SEARCH



RoHS Compliant

THIS DRAWING IS A CONTROLLED DOCUMENT.		DWN	16NOV2015	TE Connectivity	
		CHK	16NOV2015		
		APVD	16NOV2015	NAME	
		TONY N		HIGH POWER WIRE WOUND RESISTOR	
		PRODUCT SPEC		TE 2500 SERIES	
		APPLICATION SPEC		SIZE	RESTRICTED TO
		WEIGHT		A2	-
		Customer Drawing		CAGE CODE	DRAWING NO
				100779	C-1879457
				SCALE	SHEET
				1:2	1 OF 1
				REV	BB