

THIS DRAWING IS UNPUBLISHED.

RELEASED FOR PUBLICATION

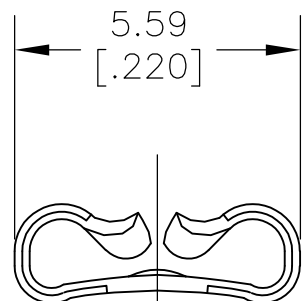
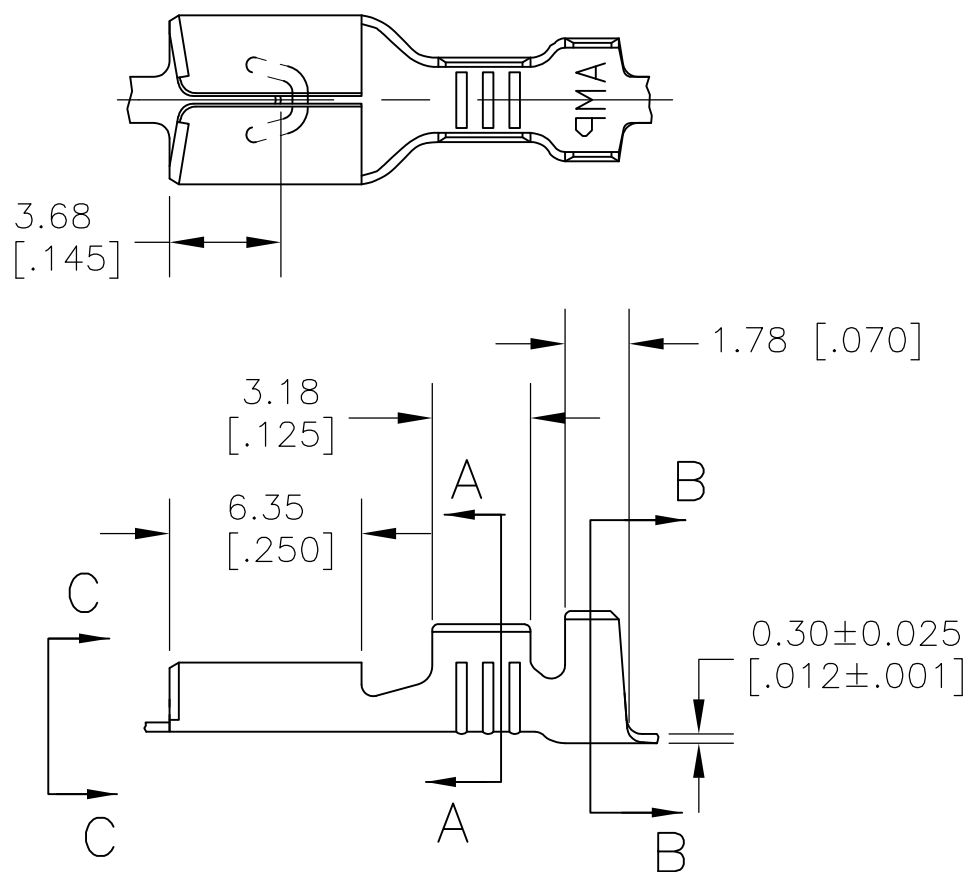
ALL RIGHTS RESERVED.

© COPYRIGHT - By -

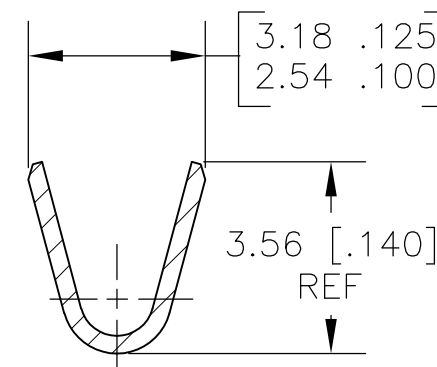
REVISIONS

P	LTR	DESCRIPTION	DATE	DWN	APVD
	A6	REVISED PER ECR-18-004893	02MAY2018	BDA	DH

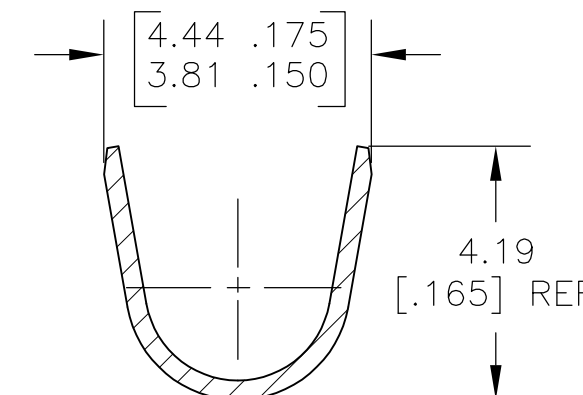
- 1 CONTINUOUS STRIP ON REELS.
- 2 WIRE SIZE #20-#16 AWG
- 3 INSULATION RANGE 2.29-3.30 [.090-.130] DIA
- 4 MATING TAB THK 0.81±0.025 [.032±.001]
- 5 UL APPROVAL FOR AWG 20-16
- 6 UL APPROVAL PENDING FOR AWG 20-16
- 7 OBSOLETE/SUPERSEDED BY PN 2238198-3



VIEW C-C
SCALE 8:1



SECTION A-A
SCALE 8:1



SECTION B-B
SCALE 8:1

7	6	TIN	BRASS	1742883-3
	5	NICKEL PLATE	CR STEEL	1742883-1
		FINISH	MATERIAL	PART NO

THIS DRAWING IS A CONTROLLED DOCUMENT.		DWN	jr_ruth	03MAR11	STE TE Connectivity		
DIMENSIONS: MM [INCHES]		CHK	PETE DESANTIS	03MAR11			
TOLERANCES UNLESS OTHERWISE SPECIFIED:		APVD	PETE DESANTIS	03MAR11	NAME		
0 PLC ± -		PRODUCT SPEC		RECEPTACLE , FASTON, .187 SERIES			
1 PLC ± -		APPLICATION SPEC		SIZE	CAGE CODE	DRAWING NO	RESTRICTED TO
2 PLC ± 0.25 [.010]		MATERIAL		A3 00779 C-1742883			—
3 PLC ± -		FINISH		CUSTOMER DRAWING			SCALE 4:1
4 PLC ± -		SEE TABLE		SCALE 4:1			SHEET 1 OF 1
ANGLES ± 5°		SEE TABLE		SCALE 4:1			REV A6