

High Voltage Vacuum Relay

Features

Physical:

- Hermetically Sealed: arc contained
- Maintenance free

Environmental:

- Temperature range -55°C to 125°C
- 50G Shock

Ratings:

- 8 kVdc
- 25 Adc carry

Coil Voltage:

- 12, 26.5, 115 Vdc Standard



CI TechnologiesTM
advanced control electronic solutions

P.O. Box 4422, Santa Barbara, CA 93140
Phone (805) 684-4560 Fax (805) 684-9679

E-Mail: info@ciitech.com

Internet: <http://www.ciitech.com/>

TITLE

High Voltage Vacuum Relay

PREP. BY JP 2/24/82

CHKD. BY RDM 2/24/82

ENG APRVL HJ 2/24/82

DWG NO.

HC-2 SERIES

CAGE CODE
18741

SCALE
NA

SHEET
1 of 5

General Specifications

K

Physical Data

Units

Contact Arrangement		SPDT
Form		C
Weight	oz	1.4

Environmental Data

Shock, 11ms ½ sine	g_{peak}	50
Vibration, 30 g_{peak}	Hz	55-2000
Operating Temperature Range	°C	-55 to +125

Electrical Data

Test Voltage (dc or 60 Hz)	kV_{peak}	10
Rated Operating Voltage (dc or 60 Hz)	kV_{peak}	8
Continuous Current Carry (dc or 60 Hz)	A	25
Coil Hi-Pot	V _{rms}	500
Contact Resistance, maximum	Ohms	0.010
Mechanical Life	cycles	1,000,000

Mechanical Data

Operate Time, Maximum	ms	6
Release Time, Maximum	ms	6

1. RATINGS LISTED ARE FOR 25 °C SEA LEVEL CONDITIONS.
2. RELAY BASE MUST BE GROUNDED.



P.O. Box 4422, Santa Barbara, CA 93140
 Phone: (805) 684-4560 Fax: (805) 684-9679
 E-Mail: info@ciitech.com
 Internet: <http://www.ciitech.com>

HC-2 SERIES

THIRD ANGLE PROJECTION



THIS DRAWING
PREPARED IN
ACCORDANCE WITH

CAGE CODE

10744

SCALE

1:1

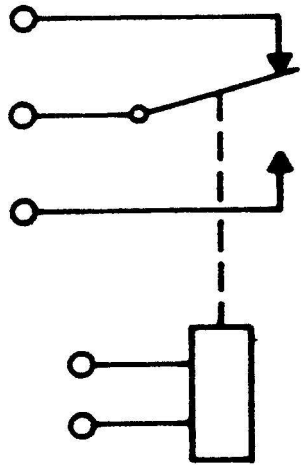
SHEET

01 of 5

Coil Data

	Units	HC-2/12VDC	HC-2	HC-2/115VDC
Coil Voltage, nominal	Vdc	12	26.5	115
Pickup Voltage, maximum	Vdc	8	16	80
Drop-out Voltage	Vdc	.5-5	1-10	5-50
Coil Resistance (± 10%)	Ohms	80	335	6000

Schematic



P.O. Box 4422, Santa Barbara, CA 93140
 Phone: (805) 684-4560 Fax: (805) 684-9679
 E-Mail: info@ciitech.com
 Internet: <http://www.ciitech.com>

HC-2 SERIES

THIRD ANGLE PROJECTION



THIS DRAWING
 PREPARED IN
 ACCORDANCE WITH

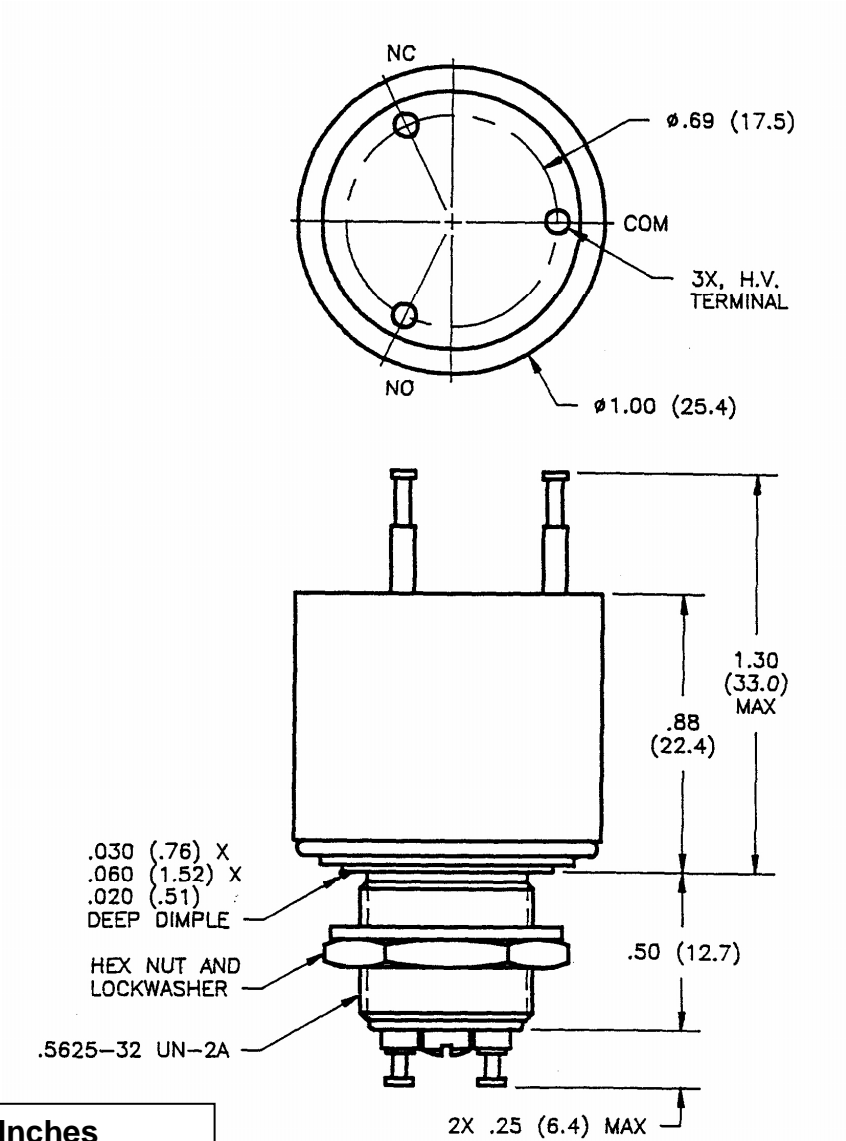
CAGE CODE

SCALE

SHEET

Part Drawing

K



Dimensions in Inches
 (Dimensions in Parentheses are in Millimeters)
 Tolerances except as noted
 .xx = ± .03
 .xxx = ± .010
 ∠ x° = ± 2°
 DO NOT SCALE DWG.



P.O. Box 4422, Santa Barbara, CA 93140
 Phone: (805) 684-4560 Fax: (805) 684-9679
 E-Mail: info@ciitech.com
 Internet: <http://www.ciitech.com>

HC-2 SERIES

THIRD ANGLE PROJECTION

THIS DRAWING PREPARED IN ACCORDANCE WITH

CAGE CODE

SCALE

SHEET

Revisions

REV.	DESCRIPTION	DATE	APP.	
A	Initial Release	ECO 6285	82/02/24	RDM
B	Revised Pages 1 and 2	ECO 6394	82/07/06	HJ
C	Revised Pages 1 and 4	ECO 7030	84/11/02	RG
D	Revised Pages 1 and 2	ECO 7369	86/02/13	RG
E	Revised Pages 1 and 4	ECO 7702	87/05/08	DKP
F	Revised Pages 1 and 2	ECO 7815	87/10/07	RG
G	Revised Pages 1 and 4	ECO 8570	91/01/11	BG
H	Revised Pages 1 and 4	ECO 8947	93/04/02	RG
J	Revised Pages 1 and 4	ECO 9018	93/05/18	RG
K	New Template	DCO 11856	99/09/21	RJG



P.O. Box 4422, Santa Barbara, CA 93140
 Phone: (805) 684-4560 Fax: (805) 684-9679
 E-Mail: info@ciitech.com
 Internet: <http://www.ciitech.com>

HC-2 SERIES

THIRD ANGLE PROJECTION



THIS DRAWING
 PREPARED IN
 ACCORDANCE WITH

CAGE CODE

10744

SCALE

1:1

SHEET

1 of 1