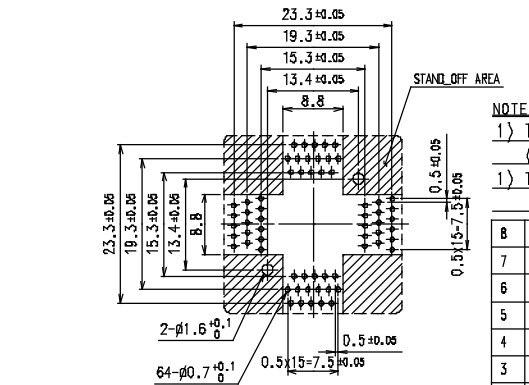
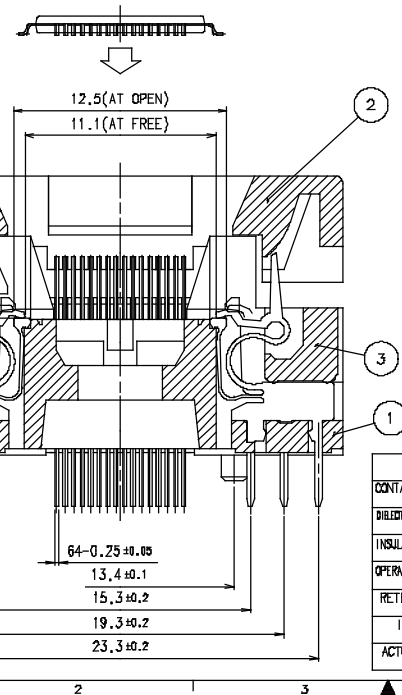
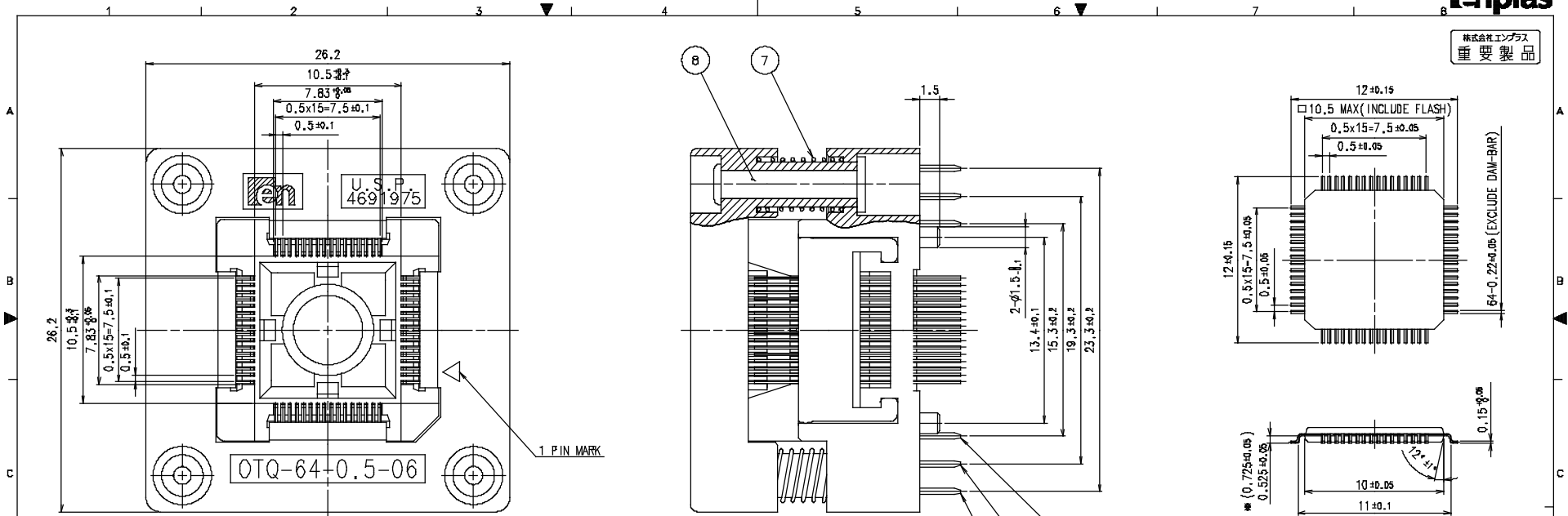


株式会社エンプラス  
垂型製品



SPECIFICATION 仕様	
CONTACT RESISTANCE 接触抵抗	50mΩ or less at 10mA (INITIAL)
DIELECTRIC WITHSTANDING VOLTAGE 絶縁性	500 V.A.C for 1 minute
INSULATION RESISTANCE 絶縁抵抗	1000 MΩ or more at 300V.D.C
OPERATING TEMPERATURE 使用温度	-65°C~150°C
RETENTION FORCE 留り力	4.9N(0.5kg) for 1 minute
INSERTION 挿入	10000 cycle(MECHANICAL)
ACTION FORCE 力/作動力	MAX. 12.8 N(1.3 kg)

**NOTES**

- This socket concept is registered patent. (U.S.P. 4691975, JPN.P. 1869849)
- This socket can accept the package dimensions marked \*.

No	Part No.	Part Name	Material	Qty	Remarks
8	OTQ-100-0.65-06-004	55-113-108-01 RIVET ヲキ	Al	4	
7	OTQ-100-0.65-06-006	55-112-175-01 COIL SPRING ばね	SUS	4	
6	OTQ-176-0.5-04-07	56-110-366-01 FCFO CONTACT FINGER	BeCu	21	
5	OTQ-176-0.5-04-06	56-110-365-01 FCFO CONTACT FINGER	BeCu	22	
4	OTQ-176-0.5-04-05	56-110-364-01 FCFO CONTACT FINGER	BeCu	21	
3	OTQ-64-0.5-03-03	55-290-832-01 ADAPTER ヲキ	PES	4	
2	OTQ-64-0.5-06-02	56-290-408-01 COVER ヲキ	PES	1	
1	OTQ-64-0.5-06-01	56-290-387-01 BODY ヲキ	PES	1	

SYMBOL	CUSTOMER'S PART NO.	DWG. NO.	NAME	MATERIAL	QTY	REMARKS
△						
△						
△						
△						
△						
△						
△						
△						
△						
△						

APPROVED BY	DESIGNED BY	CHECKED BY	DESIGNED BY	DATE	REVISED DATE	APPROVED DATE	ISSUED ON
	T. SHIMIZU			2001/06/10			

NAME	SCALE
OTQ-64-0.5-06-00 IC SOCKET	REV. 8

DRAWING NO.
55-023-267-01/1