

Mechanical Data

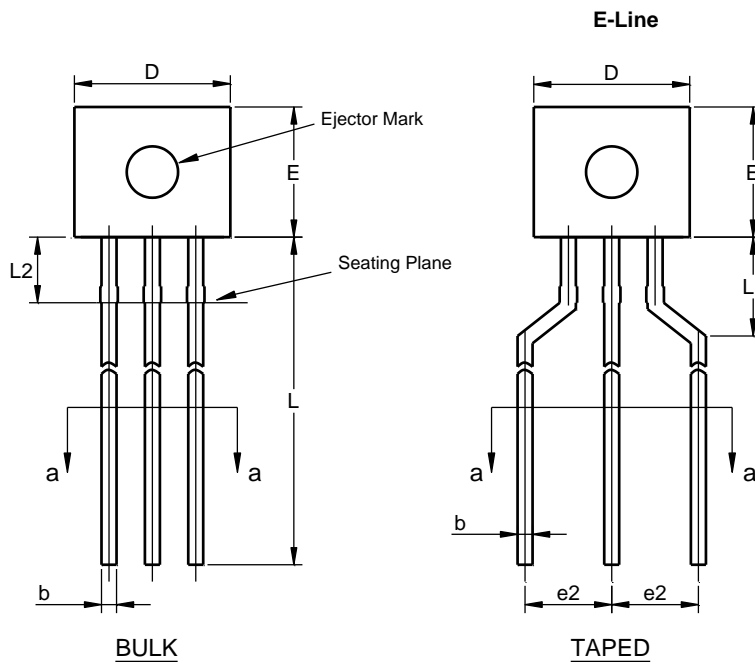
- E-line Through-Hole Package
- TO-92 Compatible
- Weight: 0.159 grams (Approximately)
- Max Soldering Temperature +260°C for 30secs as per JEDEC J-STD-020
- Case Material – Molded Plastic, UL Flammability Rating 94V-0
- Terminals: Finish – Matte Tin Plated Leads, Solderable per MIL-STD-202, Method 208 (e3)

Package View

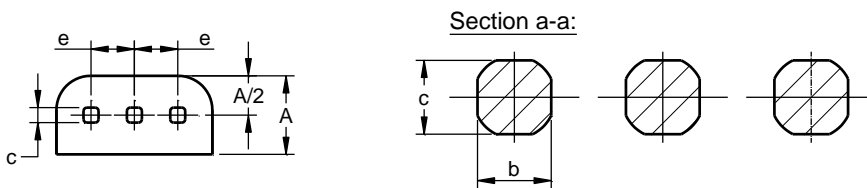


Flat Face View

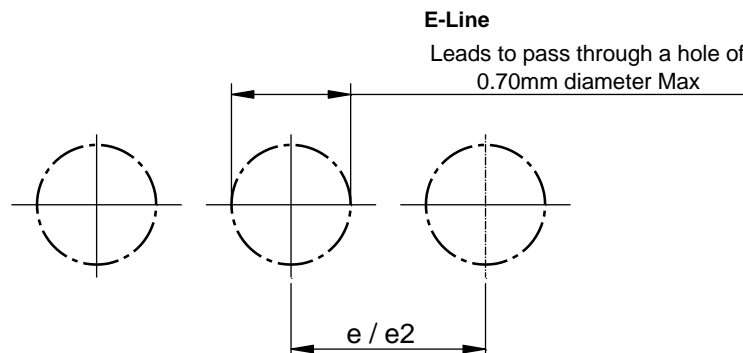
Package Outline Dimensions



E-Line			
Dim	Min	Max	Typ
A	2.16	2.41	2.28
b	0.41	0.49	0.44
c	0.41	0.49	0.44
D	4.37	4.77	4.57
E	3.61	4.01	3.90
e	1.27 REF		
e2	2.54 REF		
L	13.00	13.97	13.50
L1	2.50	3.50	--
L2	--	--	2.50
All Dimensions in mm			



Suggested Pad Hole



Note: For high voltage applications, the appropriate industry sector guidelines should be considered with regards to creepage and clearance.

Minimum Packing Quantity

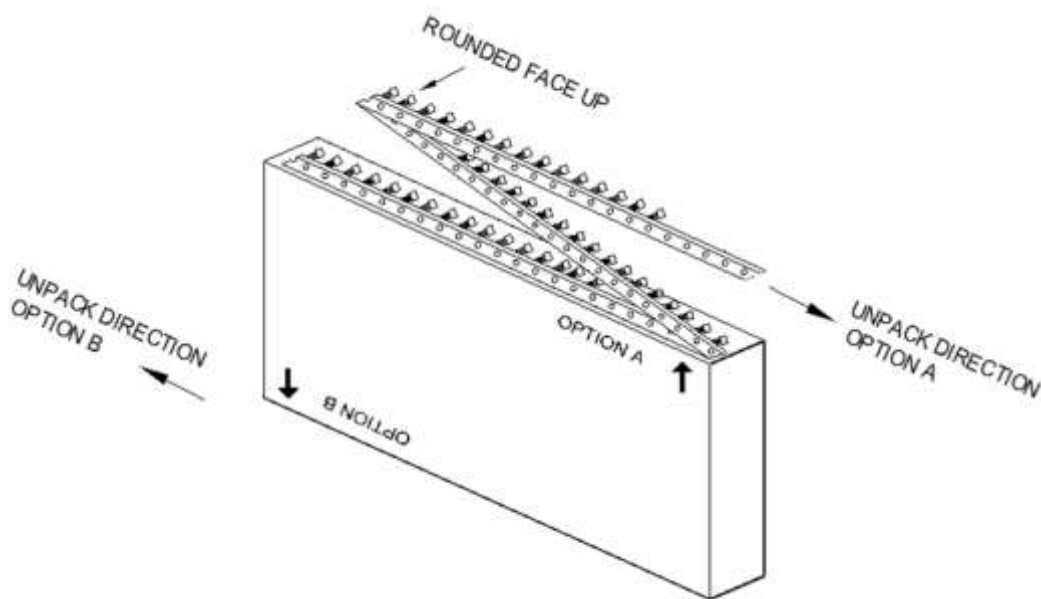
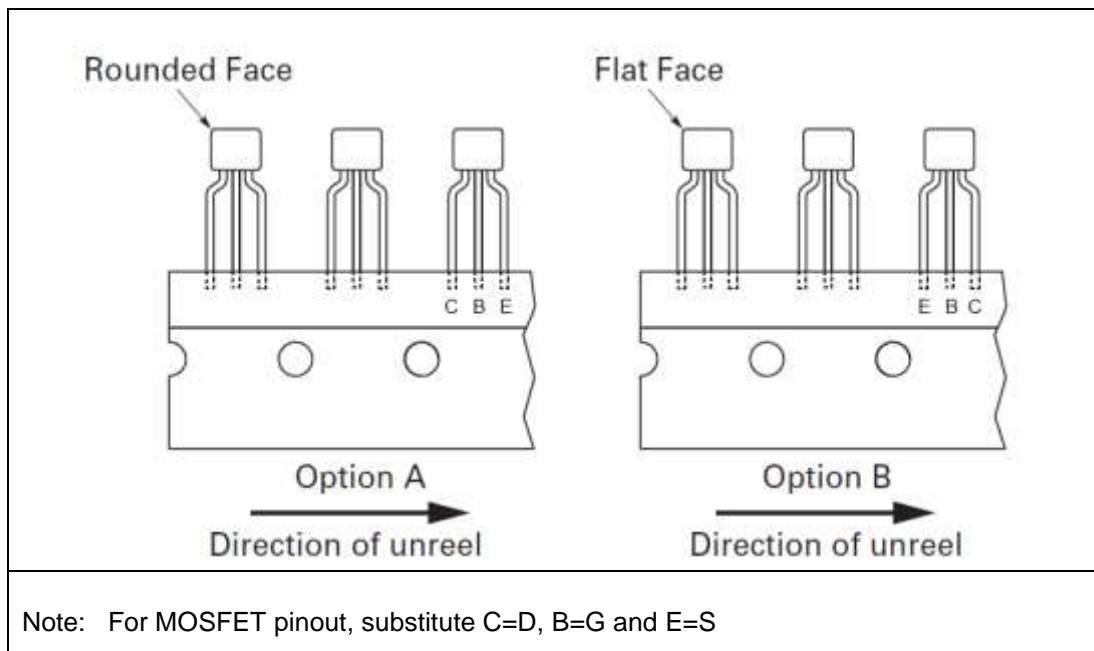
	Quantity per Box	Leads	Part Number Suffix
Bulk - Loose	4,000	Straight	No suffix
Taped in Ammo Pack	2,000	Joggled	STZ

Note: Package quantities given are for minimum packaging quantity only, not minimum order quantity. For minimum order quantity, please contact Sales Department.

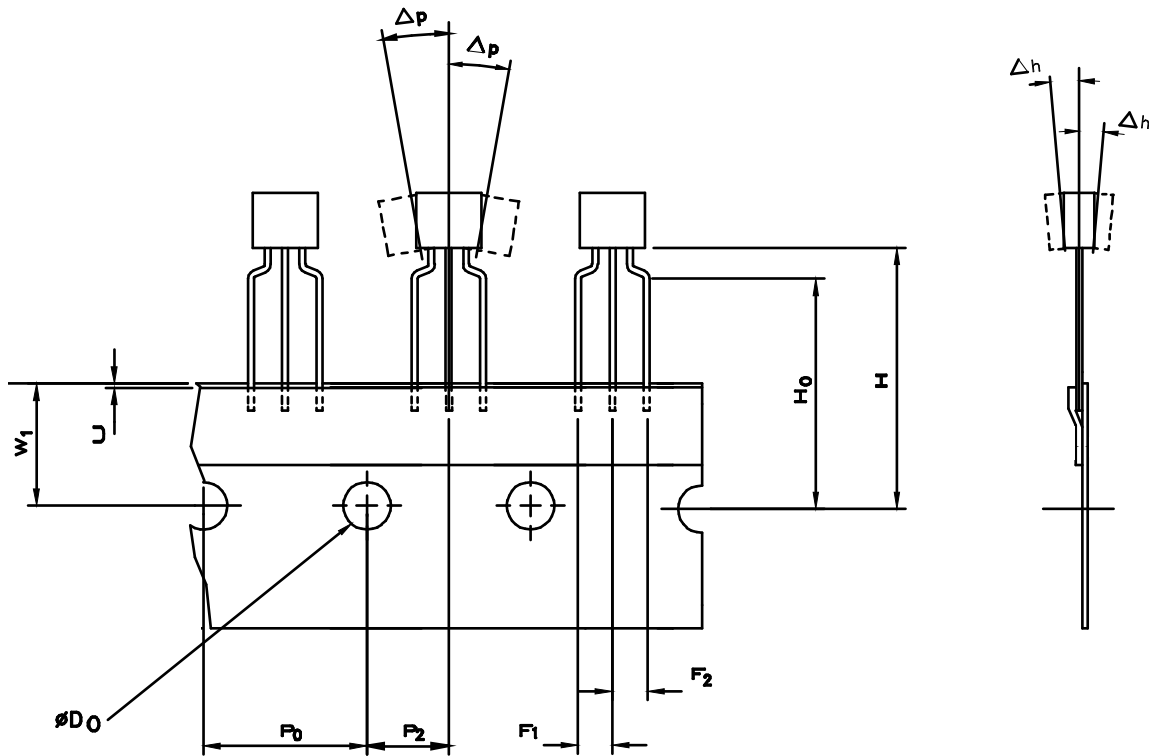
Note: No mixed date codes or partial quantity (less than minimum packaging quantity) per packaging is allowed.

Note: In no case shall there be two or more consecutive components missing from any reel for any reason.

E-Line Tape and Ammo Packing

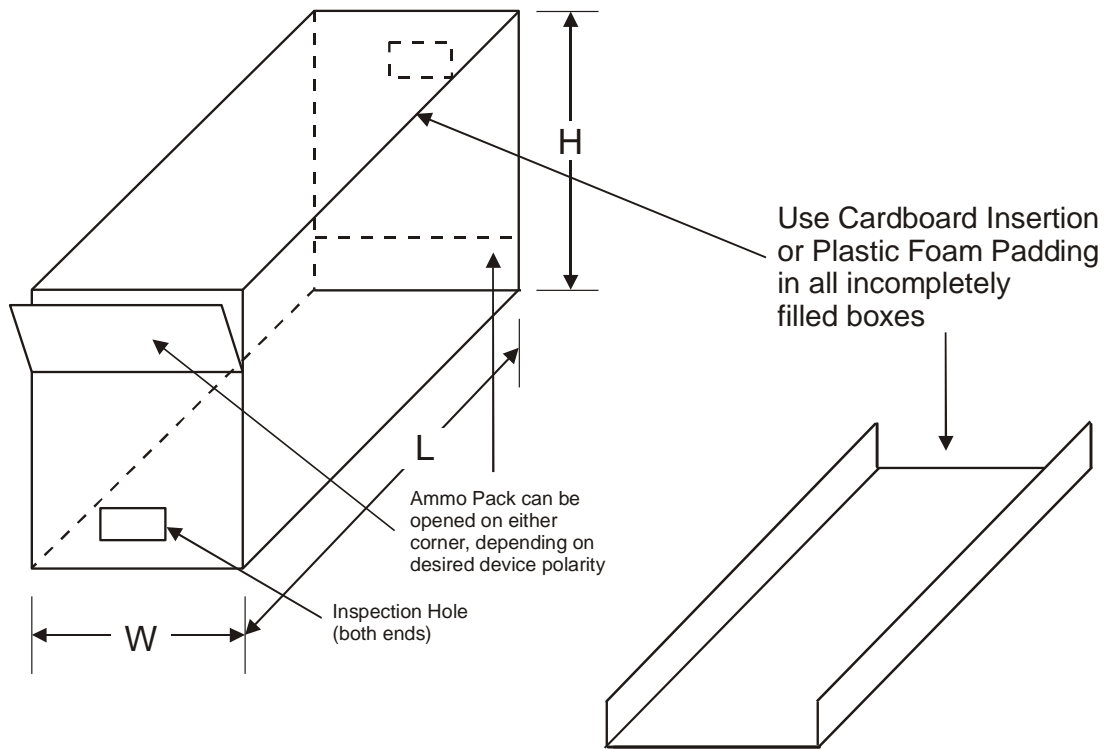


E-line Ammo Tape Specifications



SYMBOL	ITEM DESCRIPTION	VALUE (mm)	
		Minimum	Maximum
1	ϕD_o	Sprocket hole not excessively burred	
2	P_o	3.8	4.2
3	P_2	12.4	13.0
4	F_1, F_2	Distance between centre of sprocket hole and the middle lead of the following device.	
5	H	5.95	6.75
6	$\Delta h, \Delta h,$	Lead spacing of devices Note : F_1 & F_2 are to be measured from the top of the carrier tape	
7	$\Delta p, \Delta p$	2.44	2.94
8	H_o	Distance between centre of sprocket hole and base of device body	
9	w_1	-2.0	2.0
10	U	-1.0	1.0
		Distance between centre of sprocket hole to the reference plane of joggled devices	
		15.5	16.5
		Distance from centre of sprocket hole to top of carrier tape.	
		8.5	9.5
		Distance allowed below top of carrier tape by sealing tape.	
		0	0.5

Ammo Pack Specifications



AMMO PACK		
H - Height (mm)	W - Width (mm)	L - Length (mm)
150	40	220

- Note:** Material - corrugated board (neutral)
- Note:** Thickness - 3.00±0.5mm (0.12±0.02")
- Note:** For label dimensions and label placements see AP02006