

MATERIALS AND FINISHES

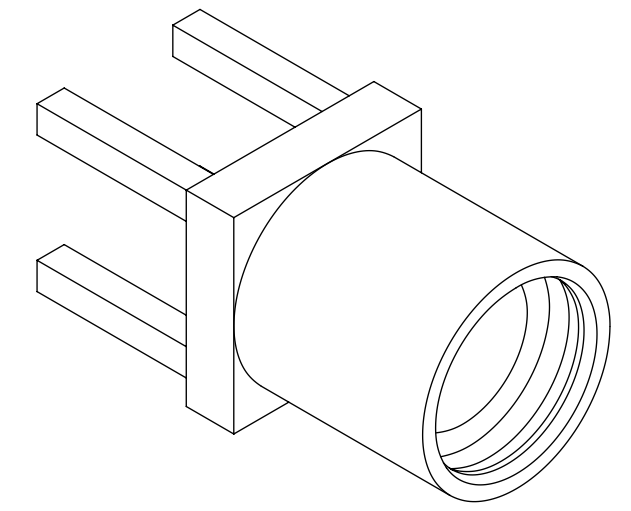
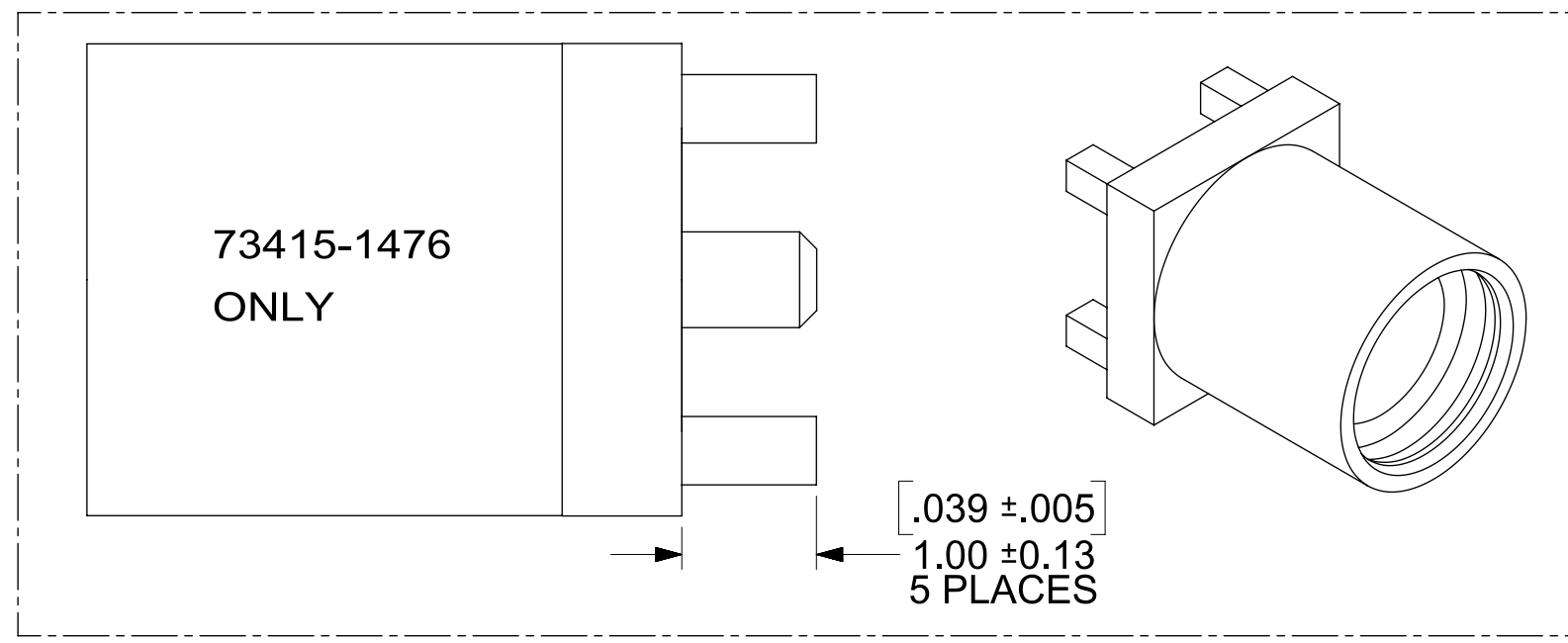
BODY SEE TABLE
PLATED SEE TABLE

CENTER CONTACT BERYLLIUM COPPER
PLATED GOLD

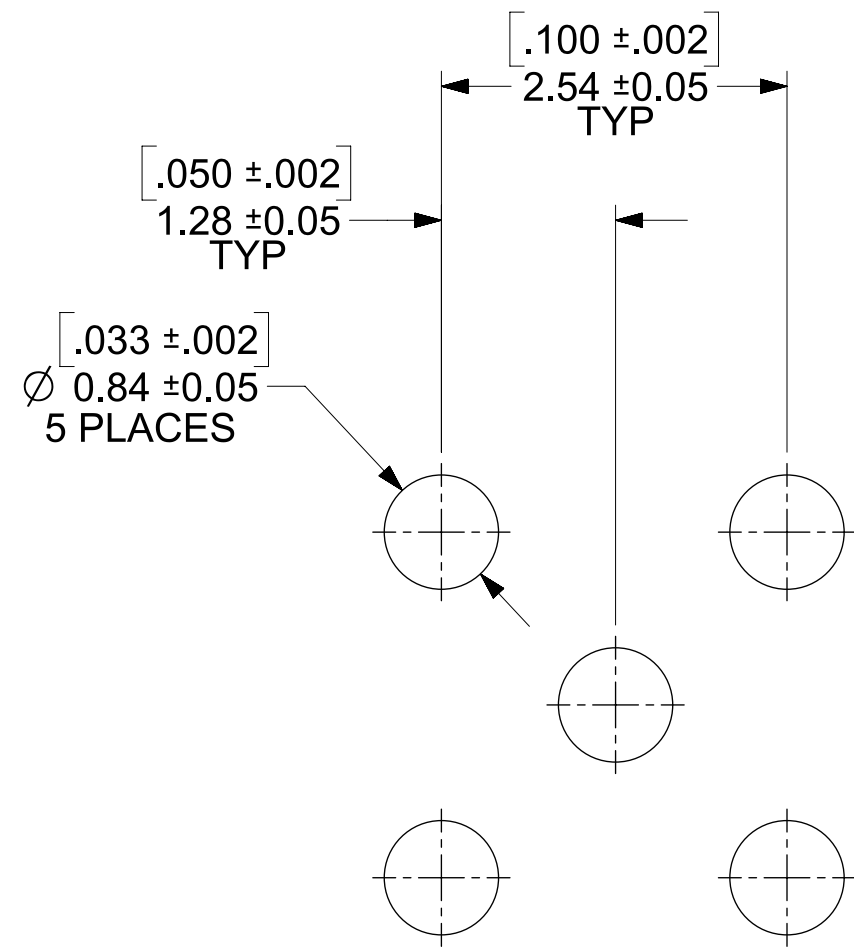
INSULATOR TEFLON

NOTE
PART # 73415-1473 IS

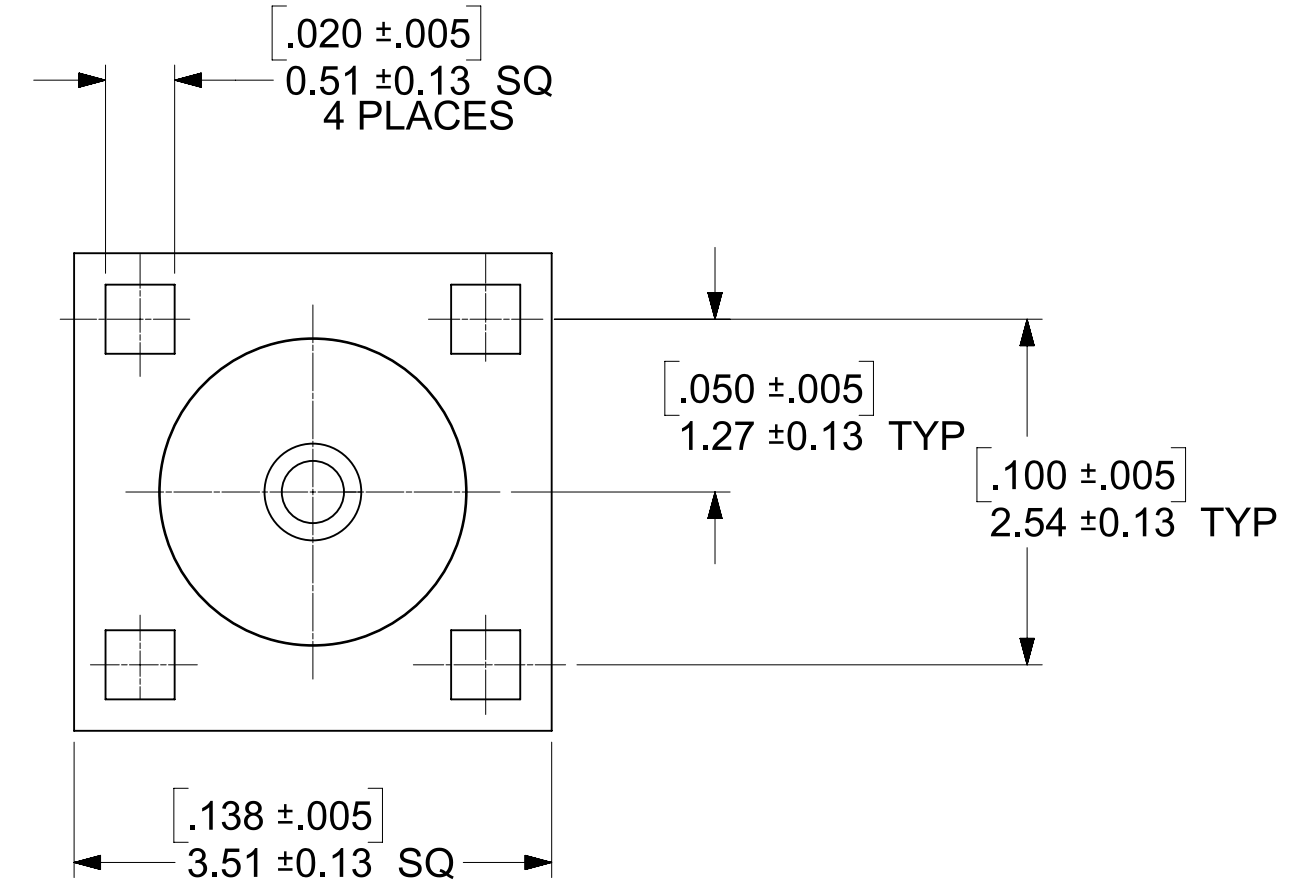
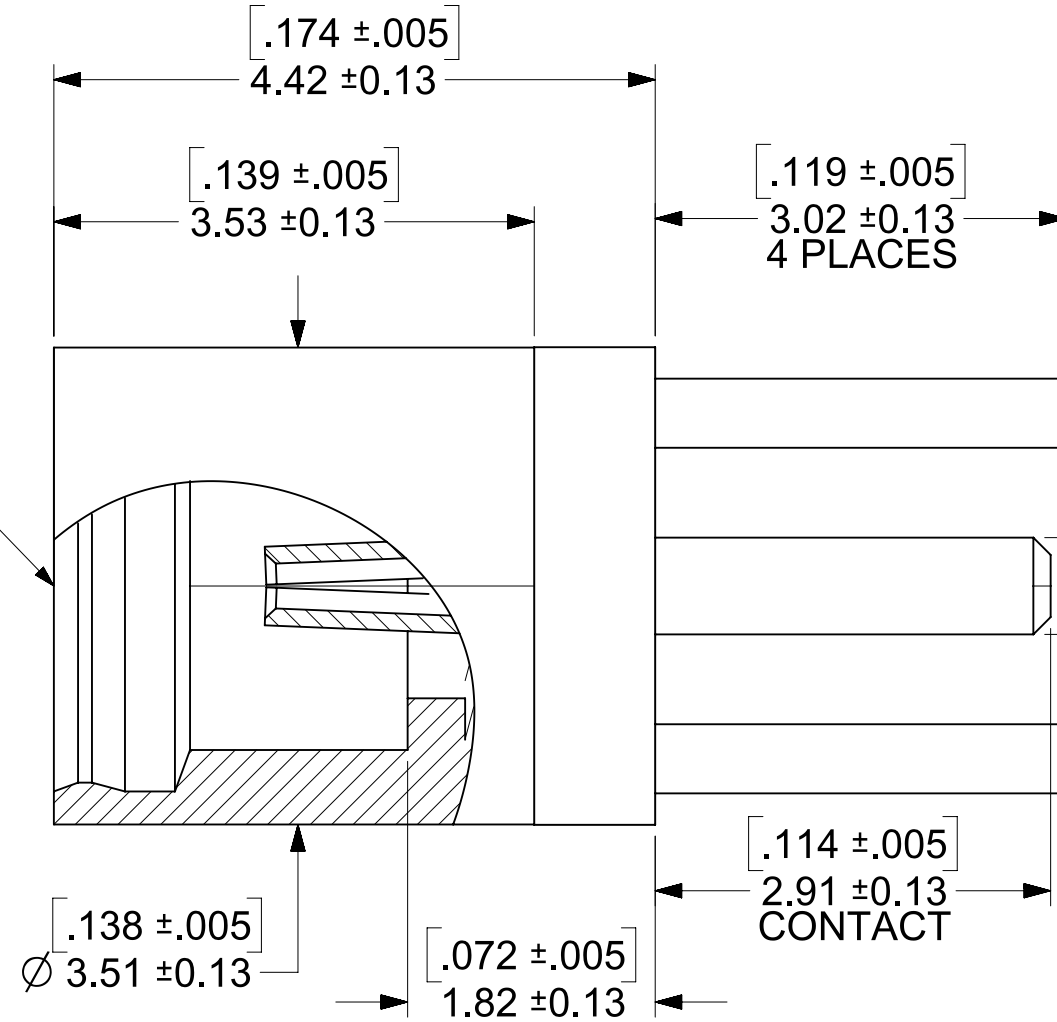
NON-MAGNETIC



MMCX JACK
INTERFACE



SUGGESTED PCB LAYOUT



73415-1477	TRAY	BRASS/GOLD(PER COMMERCIAL REQUIRMENT)
73415-1476	TRAY (1.00 MM LEG LENGTHS)	BRASS/GOLD(PER COMMERCIAL REQUIRMENT)
73415-1475	P/N 73415-1471 , TAPE AND REEL WITH KAPTON TAPE	BRASS/GOLD(PER COMMERCIAL REQUIRMENT)
73415-1474	TRAY	BRASS/GOLD(PER COMMERCIAL REQUIRMENT)
73415-1473	BAG (SEE 89542-0103 DRAWING)	BeCu/GOLD (NON MAGNETIC)
73415-1472	P/N 73415-1471, ONE PER BAG	BRASS/GOLD(PER COMMERCIAL REQUIRMENT)
73415-1471	BAG (SEE 89542-0102 DRAWING)	BRASS/GOLD(PER COMMERCIAL REQUIRMENT)
73415-1470	BAG (SEE 89542-0102 DRAWING)	BRASS/GOLD(PER MILITARY REQUIRMENT)
	PART NO.	PACKAGING
		MATERIAL/PLATING

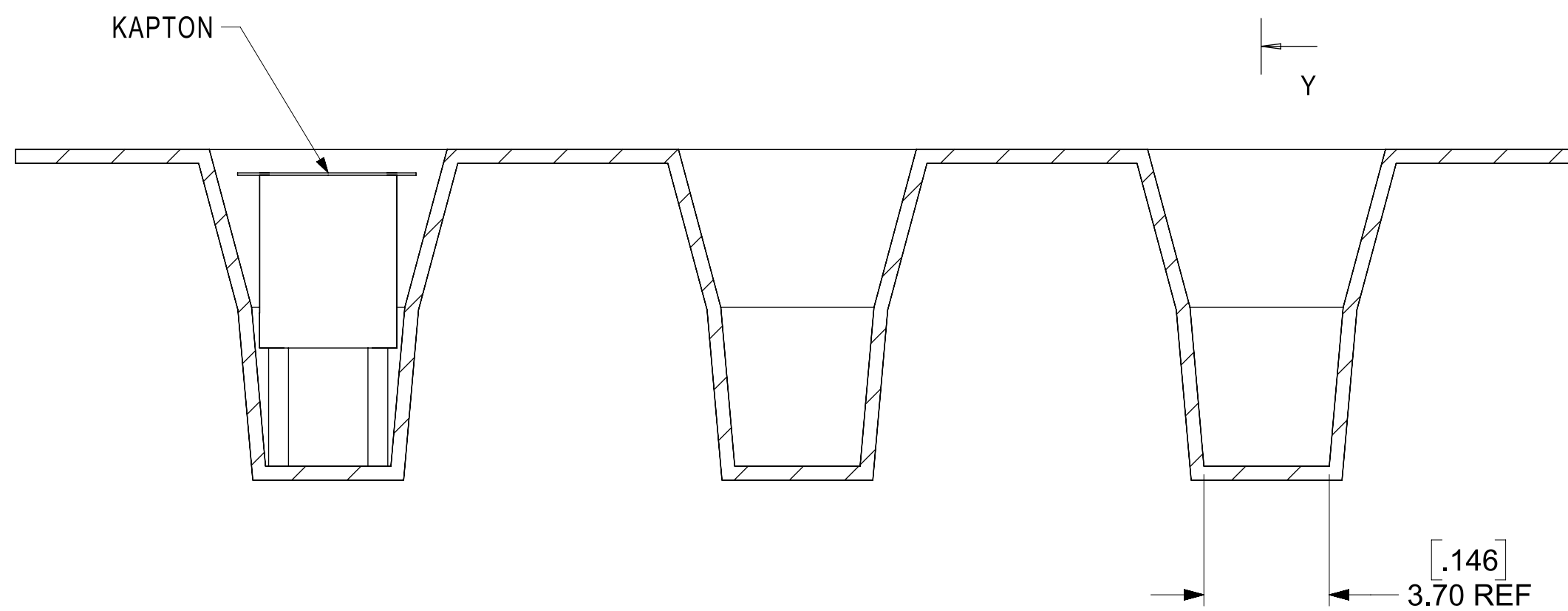
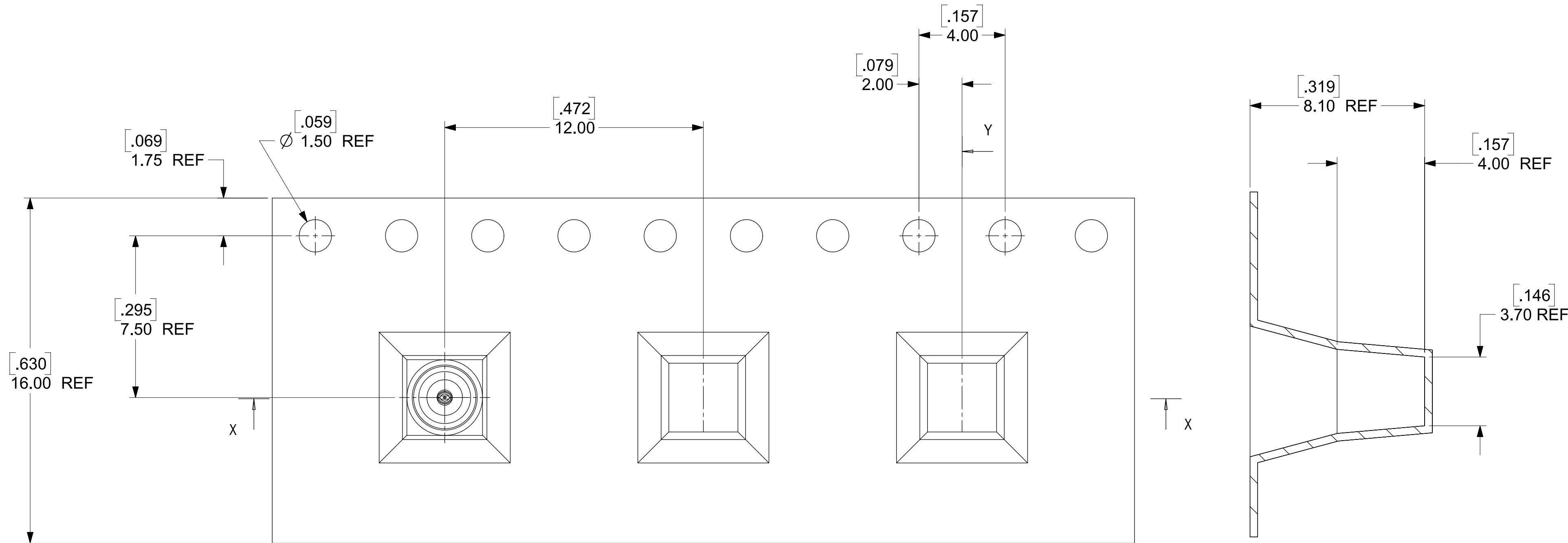
CECC 22 340	INTERFACE
PS-89675-1920	ELECTRO/MECH PER.
SPECIFICATION	DESCRIPTION

REV	DATE	DESCRIPTION
C2	2019/12/03	UPATE DESCRIPTION FOR TAPE AND REEL WITH KAPTON TAPE UPDATE VIEW TO ADD KAPTON TAPE
C1	2017/11/16	ADD TOLERANCE ON DRAWING

SYMBOLS		THIS DRAWING CONTAINS INFORMATION THAT IS PROPRIETARY TO MOLEX ELECTRONIC TECHNOLOGIES, LLC AND SHOULD NOT BE USED WITHOUT WRITTEN PERMISSION	
▽ = 0	DIMENSION UNITS	SCALE	CURRENT REV DESC:
▽ = 0	HYBRID	1:1	
▽ = 0	GENERAL TOLERANCES (UNLESS SPECIFIED)		EC NO: 628426
▽ = 0	ANGULAR TOL ± 2.0°		DRWN: JSU18 2019/12/03
▽ = 0	4 PLACES ±		CHK'D: YCHENG 2019/12/03
▽ = 0	3 PLACES ±		APPR: YCHENG 2019/12/03
▽ = 0	2 PLACES ±		INITIAL REVISION:
▽ = 0	1 PLACE ±		DRWN: RFC_PLMIMP 2017/12/28
▽ = 0	0 PLACES ±		APPR: JWIENER 2007/01/09
■ = 0	DRAFT WHERE APPLICABLE MUST REMAIN WITHIN DIMENSIONS		THIRD ANGLE PROJECTION
▽ = 0			DRAWING
		C-SIZE	SERIES
			73415
		MMCX JACK, PCB MOUNT 50 OHMS MMCX-J/PCB	
		PRODUCT CUSTOMER DRAWING	
		DOCUMENT NUMBER	DOC TYPE DOC PART REVISION
		SD-73415-147	PSD 001 C2
		MATERIAL NUMBER	CUSTOMER
		GENERAL MARKET	SHEET NUMBER
			1 OF 3

NOTE

DIMENSIONS ARE PROVIDED FOR REFERENCE ONLY



THIS DRAWING CONTAINS INFORMATION THAT IS PROPRIETARY TO MOLEX ELECTRONIC TECHNOLOGIES, LLC AND SHOULD NOT BE USED WITHOUT WRITTEN PERMISSION											
SYMBOLS		DIMENSION UNITS		SCALE		CURRENT REV DESC:					
▽ = 0		HYBRID		1:1		EC NO: 628426					
▽ = 0		GENERAL TOLERANCES (UNLESS SPECIFIED)				DRWN: JSU18 2019/12/03					
▽ = 0		ANGULAR TOL ± 2.0°				CHK'D: YCHENG 2019/12/03					
▽ = 0		4 PLACES ±				APPR: YCHENG 2019/12/03					
▽ = 0		3 PLACES ±				INITIAL REVISION:					
▽ = 0		2 PLACES ±				DRWN: RFC_PLMIMP 2017/12/28					
▽ = 0		1 PLACE ±				APPR: JWIENER 2007/01/09					
▽ = 0		0 PLACES ±				THIRD ANGLE PROJECTION		DRAWING		SERIES	
▽ = 0		DRAFT WHERE APPLICABLE MUST REMAIN WITHIN DIMENSIONS				C-SIZE		73415		MATERIAL NUMBER	
										CUSTOMER	
										GENERAL MARKET	
										SHEET NUMBER	
										2 OF 3	

molex

MMCX JACK, PCB MOUNT
50 OHMS MMCX-J/PCB

PRODUCT CUSTOMER DRAWING

DOCUMENT NUMBER	DOC TYPE	DOC PART	REVISION
SD-73415-147	PSD	001	C2

13" REEL SIZE

12.993 ±.020
 Ø 330.02 ±0.51

.647
 16.43 MIN

.502
 Ø 12.75 REF

250 MM EMPTY MIN


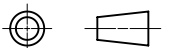
250 MM EMPTY MIN

ORDER QUANTITY PACKED

230.00 MIN

LABEL

- ORDER NO.
- QUANTITY
- PART NO.
- LOT NO.

SYMBOLS	THIS DRAWING CONTAINS INFORMATION THAT IS PROPRIETARY TO MOLEX ELECTRONIC TECHNOLOGIES, LLC AND SHOULD NOT BE USED WITHOUT WRITTEN PERMISSION										
	DIMENSION UNITS	SCALE	CURRENT REV DESC:								
▽ = 0	HYBRID	1:1	EC NO: 628426								
▽ = 0	GENERAL TOLERANCES (UNLESS SPECIFIED)		DRWN: JSU18 2019/12/03							50 OHMS MMCX-J/PCB	
▽ = 0	ANGULAR TOL ± 2.0°		CHK'D: YCHENG 2019/12/03							PRODUCT CUSTOMER DRAWING	
▽ = 0	4 PLACES ±		APPR: YCHENG 2019/12/03							DOCUMENT NUMBER	
▽ = 0	3 PLACES ±		INITIAL REVISION:							DOC TYPE	
▽ = 0	2 PLACES ±		DRWN: RFC_PLMIMP 2017/12/28							DOC PART	
▽ = 0	1 PLACE ±		APPR: JWIENER 2007/01/09							REVISION	
▽ = 0	0 PLACES ±		SD-73415-147							PSD 001 C2	
⊠ = 0	DRAFT WHERE APPLICABLE MUST REMAIN WITHIN DIMENSIONS		THIRD ANGLE PROJECTION		DRAWING	SERIES	MATERIAL NUMBER		CUSTOMER	SHEET NUMBER	
■ = 0					C-SIZE	73415	GENERAL MARKET		3 OF 3		

DOCUMENT STATUS	P1	RELEASE DATE	2019/12/03	09:45:07
-----------------	----	--------------	------------	----------