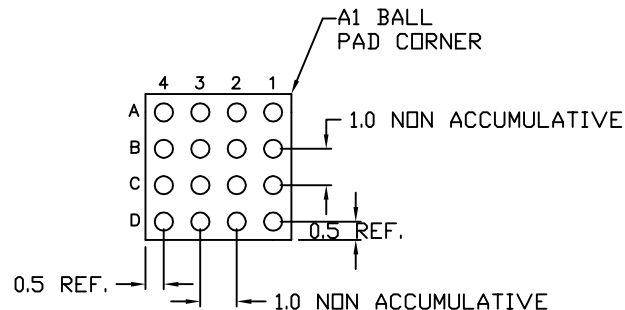
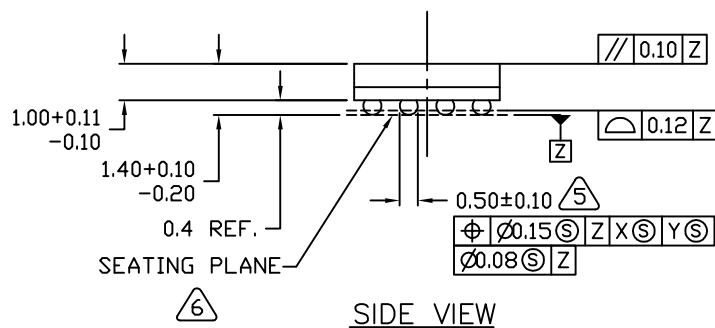


TOP VIEW



BOTTOM VIEW



SIDE VIEW

NOTES:

1. DIMENSIONS ARE IN MILLIMETERS.
2. ALL DIMENSIONS AND TOLERANCES CONFORM TO ASME Y14.5M-1994
3. SOLDER BALL POSITION DESIGNATION PER JESD 95-1, SPP-010.
4. BILATERAL TOLERANCE ZONE IS APPLIED TO EACH SIDE OF THE PACKAGE BODY.
5. DIMENSION IS MEASURED AT THE MAXIMUM SOLDER BALL DIAMETER, PARALLEL TO PRIMARY DATUM Z.
6. PRIMARY DATUM Z AND SEATING PLANE ARE DEFINED BY THE SPHERICAL CROWNS OF THE SOLDER BALLS.
7. A1 BALL PAD CORNER I.D. IS IDENTIFIED BY LASER MARKED DOT AT THE CORNER.
8. MATERIAL MUST COMPLY WITH BANNED AND RESTRICTED SUBSTANCES SPEC # 10-0131.
9. ALL DIMENSIONS APPLY TO BOTH LEADED (-) AND PbFREE (+) PKG. CODES.
10. PACKAGE CODE: X16-1

-DRAWING NOT TO SCALE-



TITLE:
PACKAGE OUTLINE, 16 BALLS CSBGA,
4x4x1.40mm, 1.0mm PITCH, 2 LAYER

APPROVAL
EDEN CHEN
06/14/10

DOCUMENT CONTROL NO.
21-0355

REV. 1/1
B