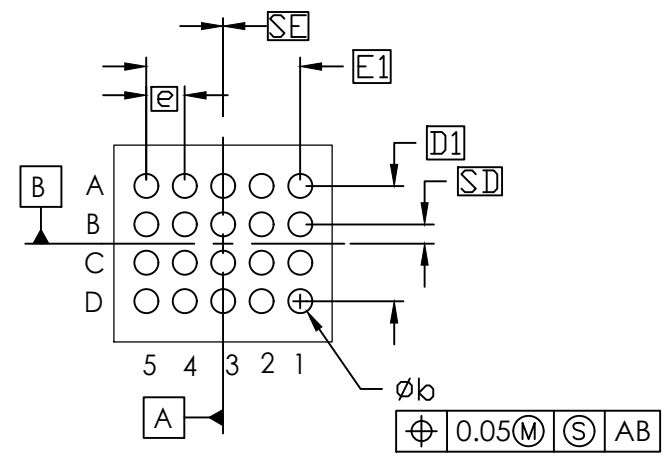
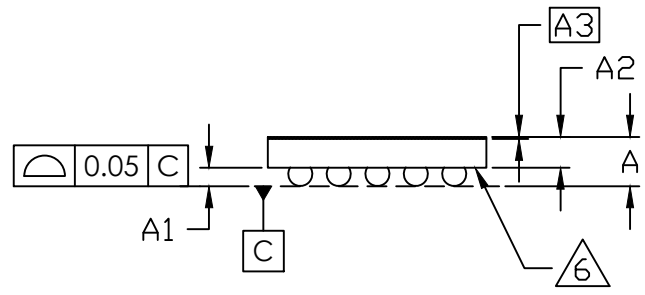


TOP VIEW



BOTTOM VIEW

DIMENSIONS	
A	0.64±0.05
A1	0.24±0.03
A2	0.40 REF
A3	0.025 BSC
b	0.31±0.03
D1	1.50 BSC
E1	2.00 BSC
e	0.50 BSC
SD	0.25 BSC
SE	0.00 BSC



FRONT VIEW

PKG CODE	E	D	DEPOPULATED BUMPS
W202A2+1	2.535±0.065	2.025±0.065	B3, C3
W202A2+2	2.555±0.065	2.045±0.065	NONE
W202C2+1	2.505±0.015	2.255±0.015	NONE
W202D2+1	2.505±0.015	2.251±0.015	NONE
W202E2+1	2.787±0.025	2.101±0.025	NONE

NOTES:

1. ALL DIMENSIONS ARE IN MILLIMETERS UNLESS OTHERWISE SPECIFIED.
2. TERMINAL PITCH IS DEFINED BY TERMINAL CENTER TO CENTER VALUE.
3. OUTER DIMENSION IS DEFINED BY CENTER LINES BETWEEN SCRIBE LINES.
4. MARKING SHOWN IS FOR PACKAGE ORIENTATION REFERENCE ONLY.
5. TOLERANCE IS ± 0.02 UNLESS SPECIFIED OTHERWISE.
6. FRONT - SIDE FINISH CAN BE EITHER BLACK OR CLEAR.
7. MATERIAL MUST BE COMPLIANT WITH MAXIM SPECIFICATION 10-0131 FOR SUBSTANCE CONTENT, MUST BE EU ROHS COMPLIANT WITHOUT EXEMPTION AND PB-FREE.
8. ALL DIMENSIONS APPLY TO PbFREE (+) PKG. CODE ONLY.

-DRAWING NOT TO SCALE-

TITLE:
PACKAGE OUTLINE, 20 BUMPS, WLP PKG,
0.5mm PITCH

APPROVAL	DOCUMENT CONTROL NO. 21-0059	REV. H	1/1
----------	---------------------------------	-----------	-----