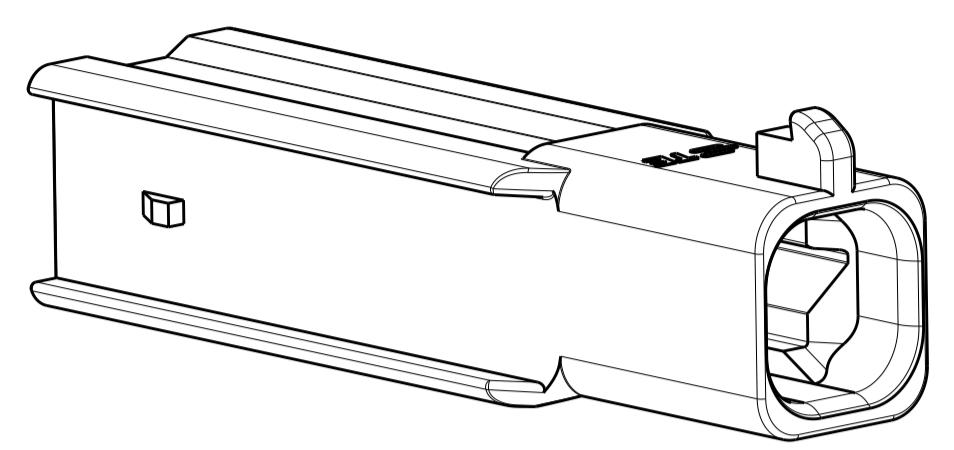
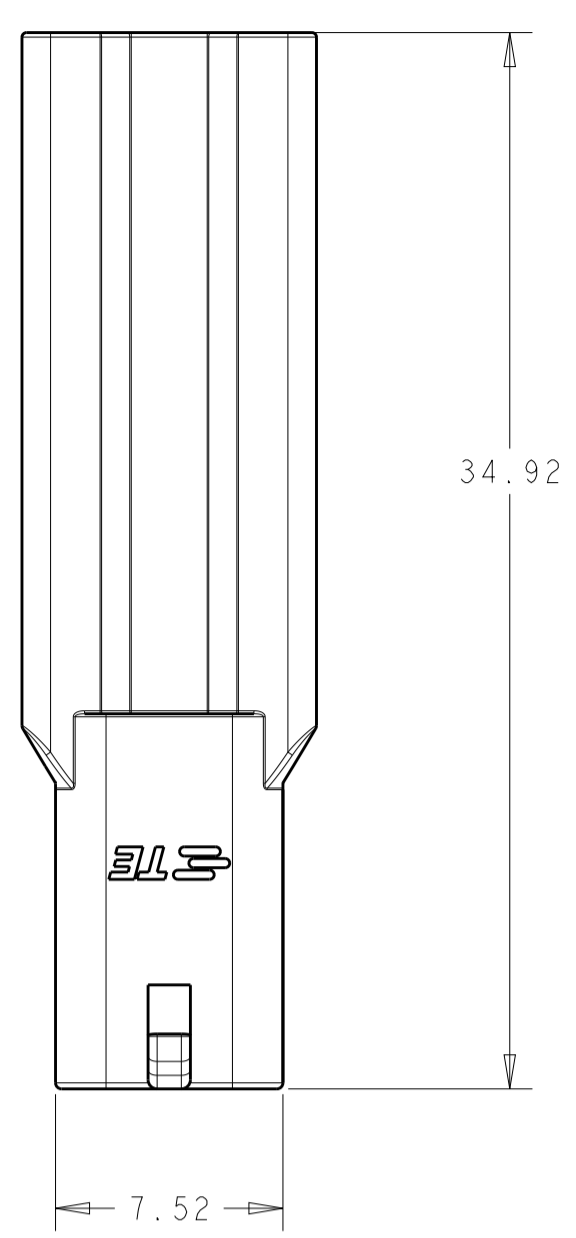
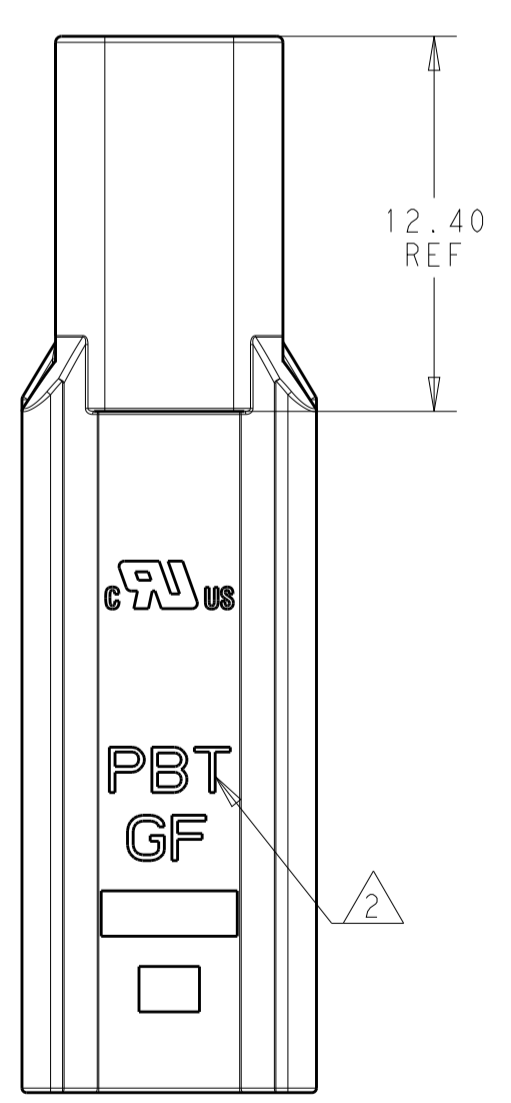
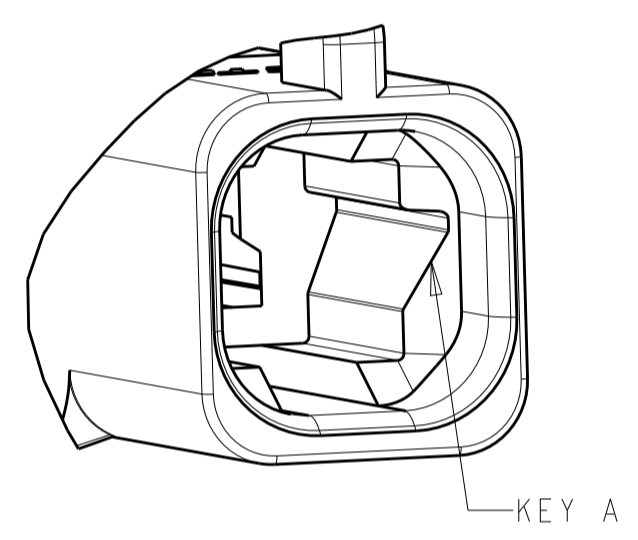
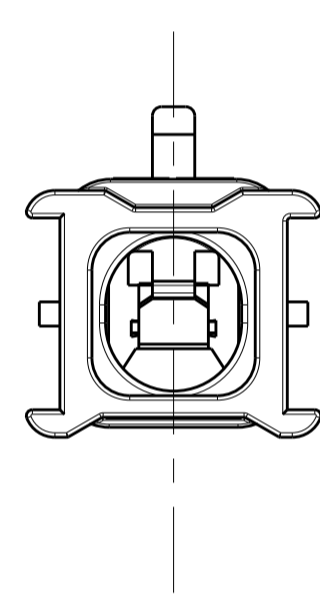
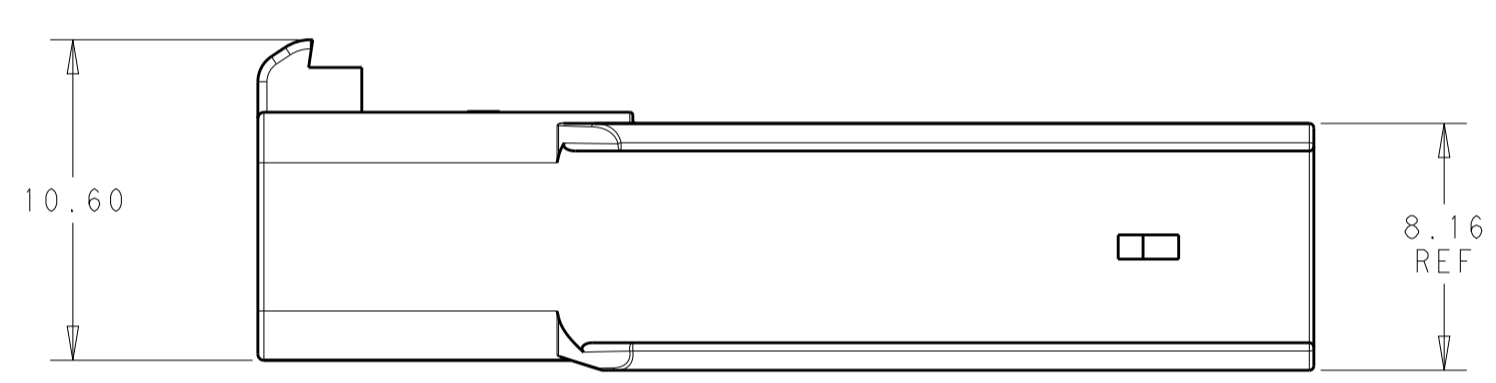
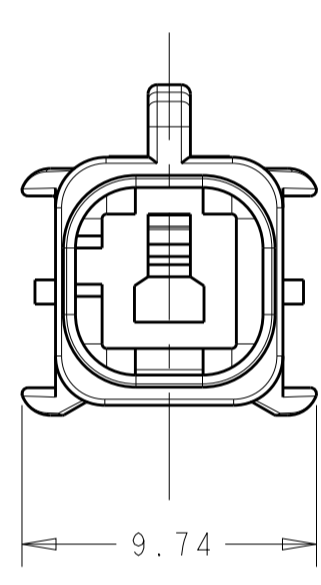


REVISIONS				
P.	LTN	DESCRIPTION	DATE	APVD
A		RELEASED PER ECO-19-014652	24SEP2019	BKW GJ



- △ MATERIAL: PBT, GLASS FILLED
KEY A: NATURAL
- △ MATERIAL MARK: PBT GF
- 3. APPLICABLE CONTACT P/N:
2329910-*/2329907-*/2329906-*/2329908-*/2329909-*/2329911-*
- 4. MATING CONNECTOR P/N
PLUG HSG: *-2345728-1-
TPA: 2329016-1
BACK COVER: 2334614-1
INTERFACE SEAL: 2325347-1
GANG SEAL: 2325349-1
- 5. FLAMMABILITY RATING: UL94 V-0
- 6. THIS PRODUCT HAS NOT COMPLETED QUALIFICATION TESTING.



KEY A	1*1	1-2345729-1
KEYING	POSITIONS	PART NUMBER

THIS DRAWING IS A CONTROLLED DOCUMENT.		DWN B. WEAVER 18OCT2018	TE Connectivity NAME CAP HOUSING, FREE HANGING, POWER VERSA-LOCK - SIZE CAGE CODE DRAWING NO A100779C=2345729 RESTRICTED TO -
DIMENSIONS:		CHK S. FERNANDES 18OCT2018	
mm 0 PLC ± 2 PLC ±0.50 3 PLC ± 4 PLC ± ANGLES ± FINISH -		APVD C. YI 18OCT2018 PRODUCT SPEC 108-143081 APPLICATION SPEC 114-143082 WEIGHT CUSTOMER DRAWING	
SCALE 4:1		SHEET 1 OF 1	REV A