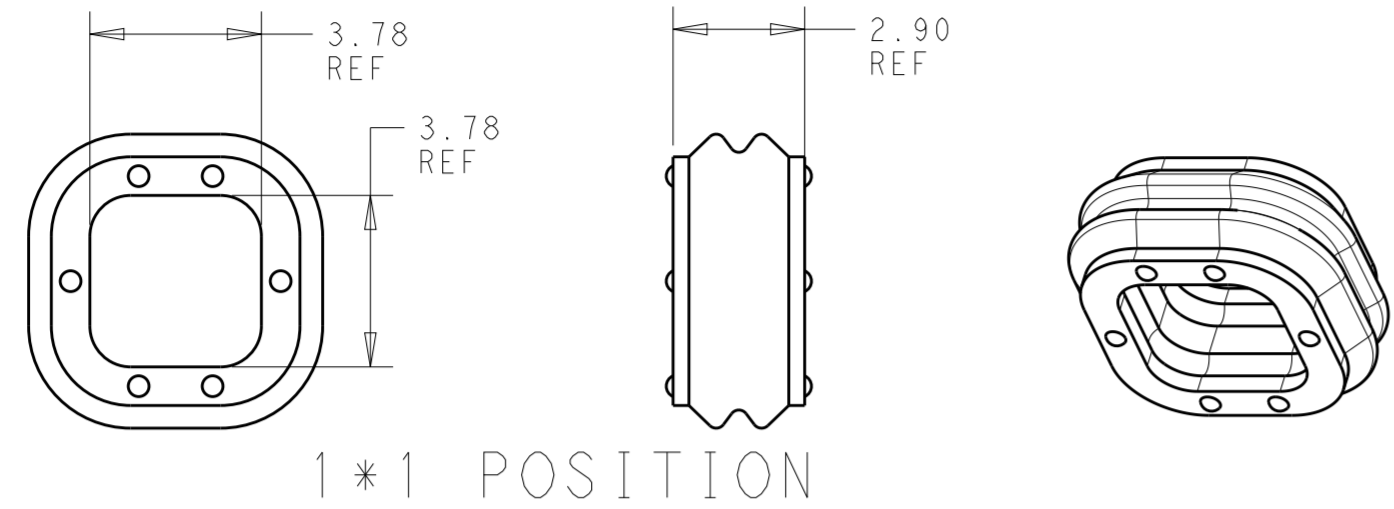


THIS DRAWING IS UNPUBLISHED. RELEASED FOR PUBLICATION 2018  
 © COPYRIGHT 2018 BY - ALL RIGHTS RESERVED.

REVISIONS				
P	LTR	DESCRIPTION	DATE	APVD
A		RELEASED PER ECO-19-011398	23JUL2019	BKW CY

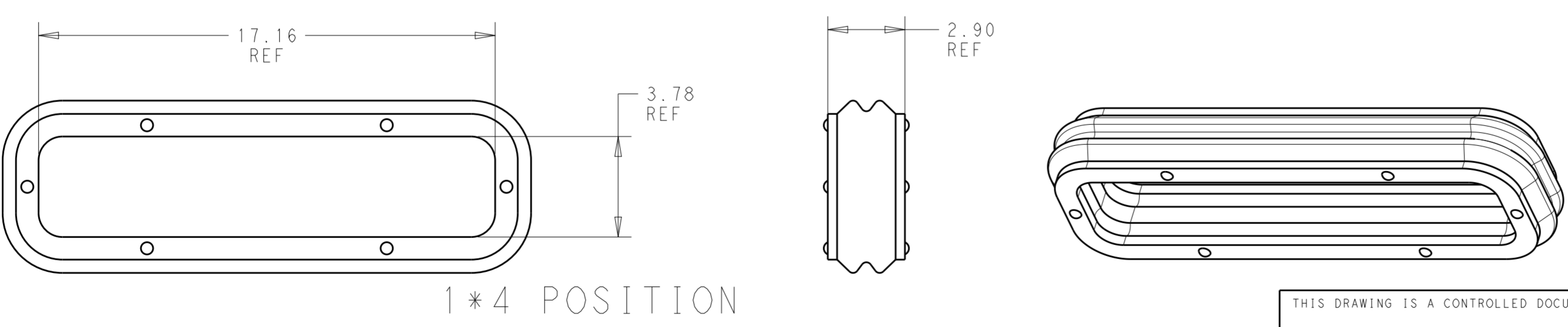
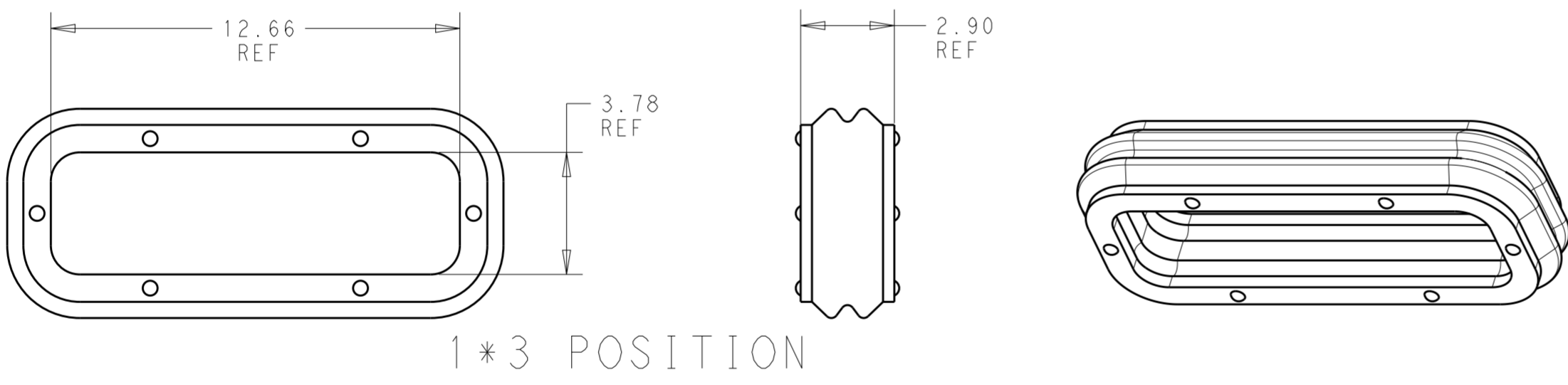
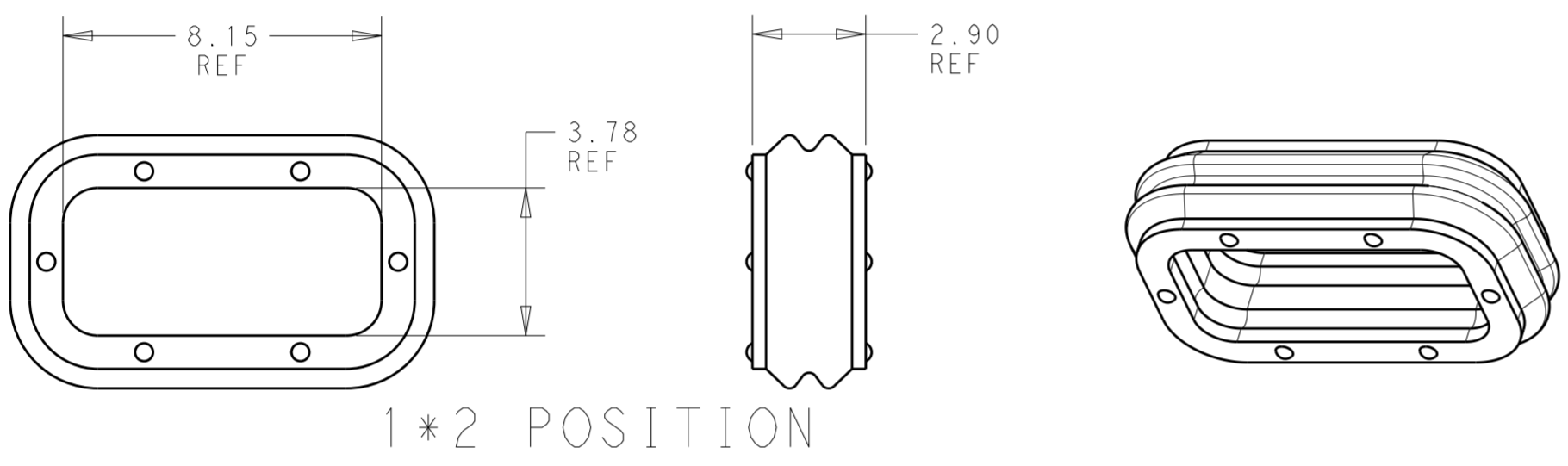


1. MATERIAL: SILICONE RUBBER, INHERENTLY LUBRICATED  
 COLOR - BLUE

2. MATING PLUG HOUSING P/N'S:  
 \*-2332040-\*/\*-2336229-\*/\*-2345728-1

3. PRELIMINARY PART - NOT RELEASED FOR PRODUCTION

4. THIS PRODUCT HAS NOT COMPLETED QUALIFICATION TESTING



1*4	3 2325347-4
1*3	2325347-3
1*2	2325347-2
1*1	2325347-1
POSITIONS	PART NUMBER

THIS DRAWING IS A CONTROLLED DOCUMENT.		DWN B. WEAVER 15 JUN 2018	<b>STE</b> TE Connectivity	
DIMENSIONS: mm		CHK S. FERNANDES 15 JUN 2018		
TOLERANCES UNLESS OTHERWISE SPECIFIED:		APVD C. YI 15 JUN 2018	NAME INTERFACE SEAL, POWER VERSA-LOCK	
0 PLC ±		PRODUCT SPEC	SIZE	
1 PLC ±		108-143081	CAGE CODE	
2 PLC ±		APPLICATION SPEC	DRAWING NO	
3 PLC ±		114-143082	RESTRICTED TO	
4 PLC ±		WEIGHT	A200779C-2325347	
ANGLES ±		CUSTOMER DRAWING	SCALE 6:1 SHEET 1 OF 1 REV A	
FINISH				