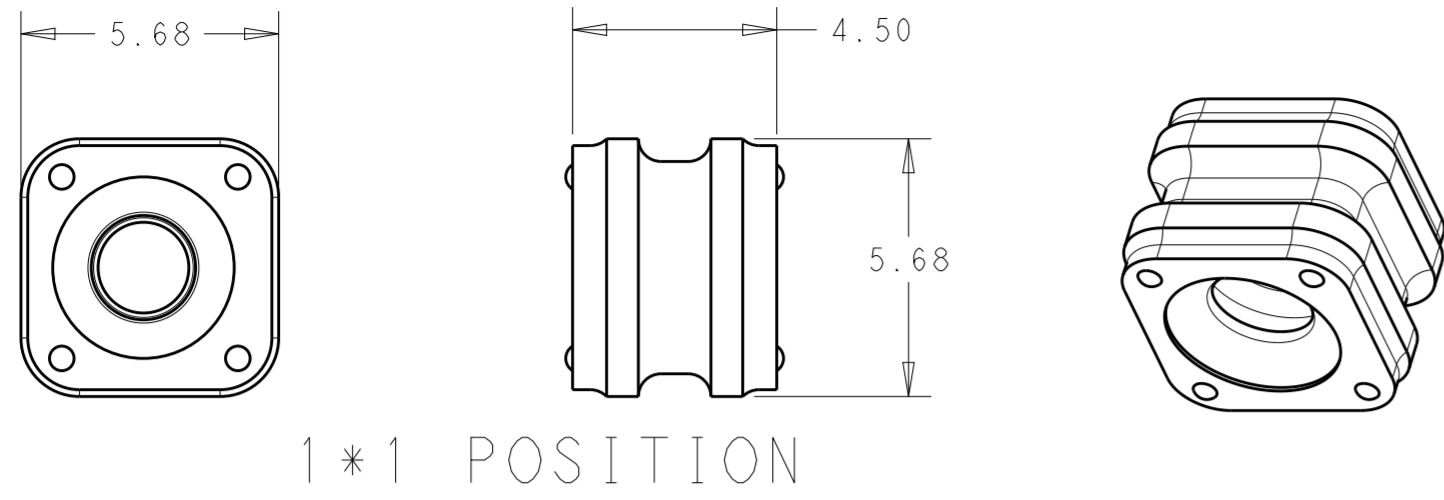


THIS DRAWING IS UNPUBLISHED. RELEASED FOR PUBLICATION 2018  
 © COPYRIGHT 2018 BY - ALL RIGHTS RESERVED.

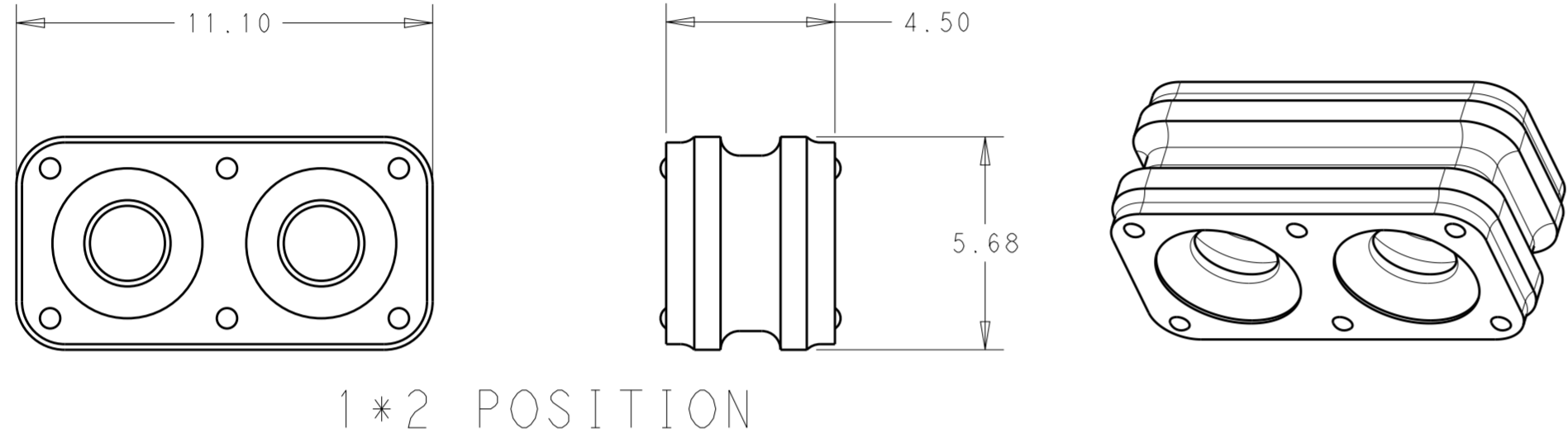
REVISIONS				
P	LTR	DESCRIPTION	DATE	APVD
A		RELEASED PER ECO-19-016370	25OCT2019	BKW DS



1 MATERIAL: SILICONE RUBBER, INHERENTLY LUBRICATED  
 COLOR - SEE CHART

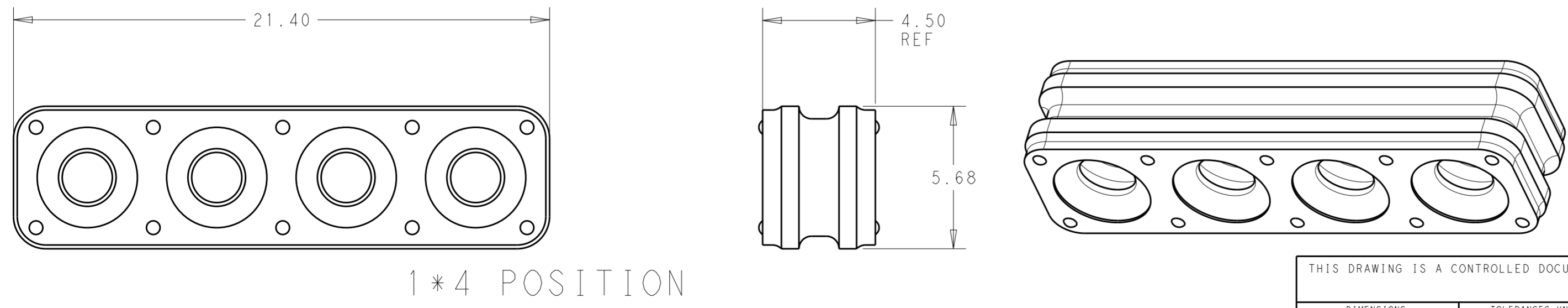
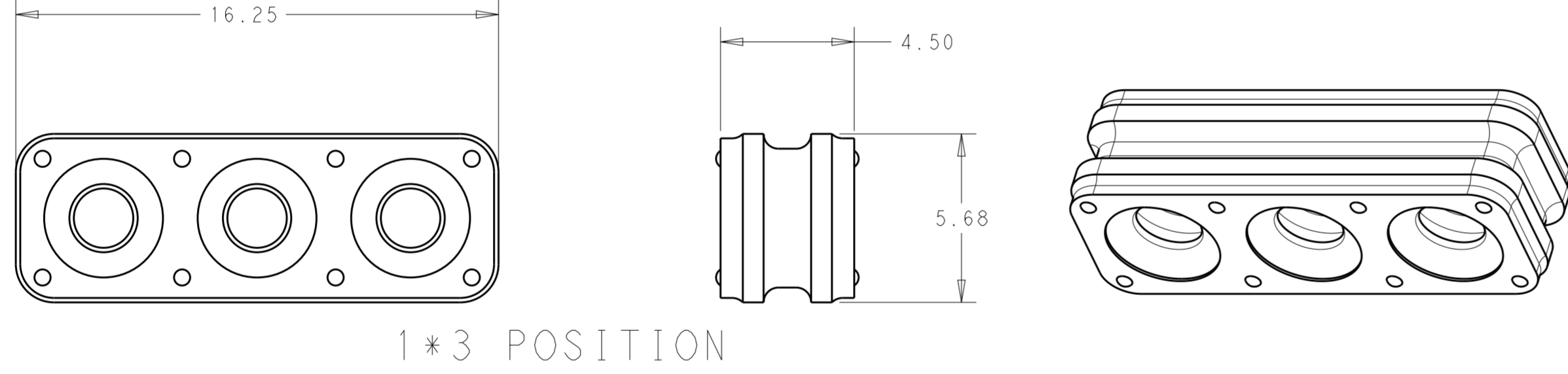
2 SEE CHART FOR INSULATION OD RANGE

3. MATING CONNECTOR P/N'S:  
 CAP HSG - \*-2325350-\*/\*-2325043-\*/\*-2336231-\*/  
 \*-2337219-\*/\*-2345729-1  
 PLUG HSG - \*-2332040-\*/\*-2336229-\*/\*-2345728-1  
 CONTACTS - 2329907-\*/2329908-\*/2329911-\*/2329914-\*/  
 2329916-\*/2329917-\*/  
 BACK COVER (OPTIONAL) - 2324614-\*/2340648-6



4 PRELIMINARY PART - NOT RELEASED FOR PRODUCTION

5. THIS PRODUCT HAS NOT COMPLETED QUALIFICATION TESTING



COLOR	INSULATION OD RANGE	POSITIONS	PART NUMBER
GREEN	1.30-2.40	1*4	1-2325349-4
GREEN	1.30-2.40	1*3	1-2325349-3
GREEN	1.30-2.40	1*2	1-2325349-2
GREEN	1.30-2.40	1*1	1-2325349-1
BLUE	2.45-3.60	1*4	2325349-4
BLUE	2.45-3.60	1*3	2325349-3
BLUE	2.45-3.60	1*2	2325349-2
BLUE	2.45-3.60	1*1	2325349-1

THIS DRAWING IS A CONTROLLED DOCUMENT.

DWN	B. WEAVER	15 JUN 2018
CHK	S. FERNANDES	15 JUN 2018
APVD	C. YI	15 JUN 2018

TE Connectivity

NAME: GANG SEAL, POWER VERSA-LOCK

SIZE	CAGE CODE	DRAWING NO	RESTRICTED TO
A2	00779	C-2325349	-

CUSTOMER DRAWING SCALE 6:1 SHEET 1 OF 1 REV A