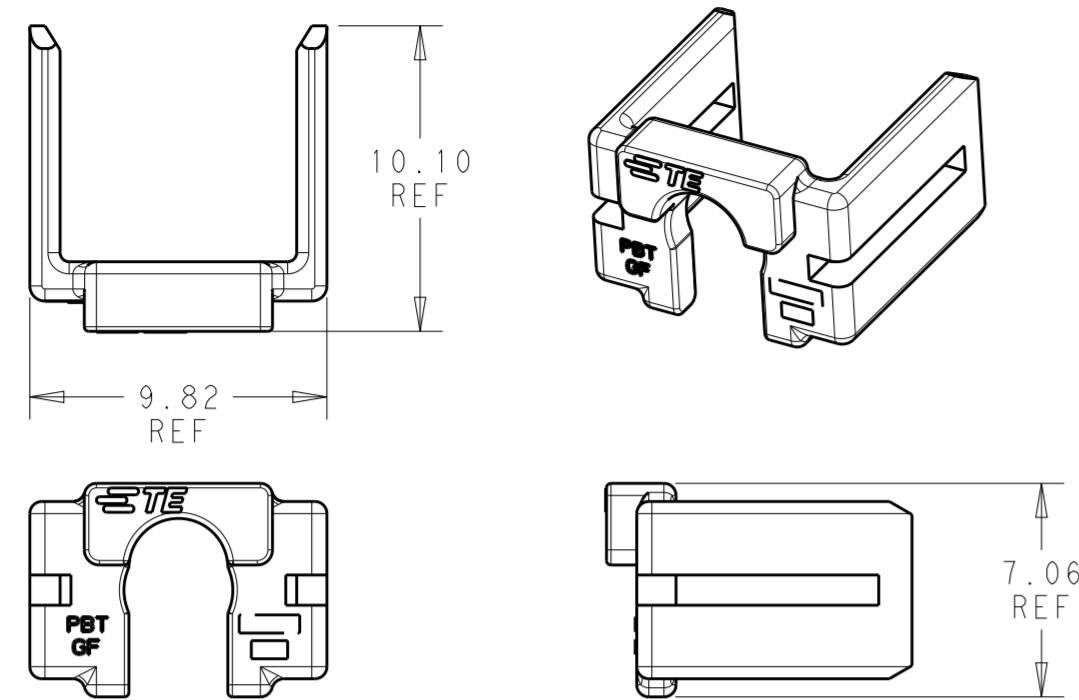
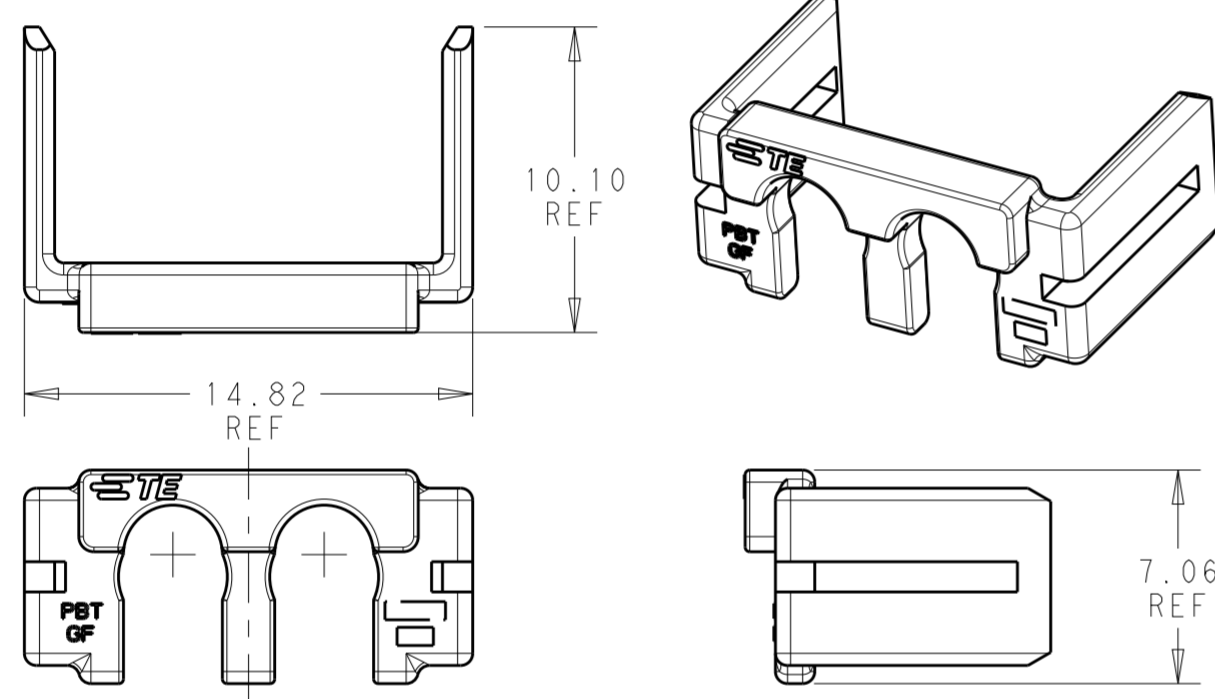


THIS DRAWING IS UNPUBLISHED. RELEASED FOR PUBLICATION
 © COPYRIGHT copyright.d8te- ALL RIGHTS RESERVED.

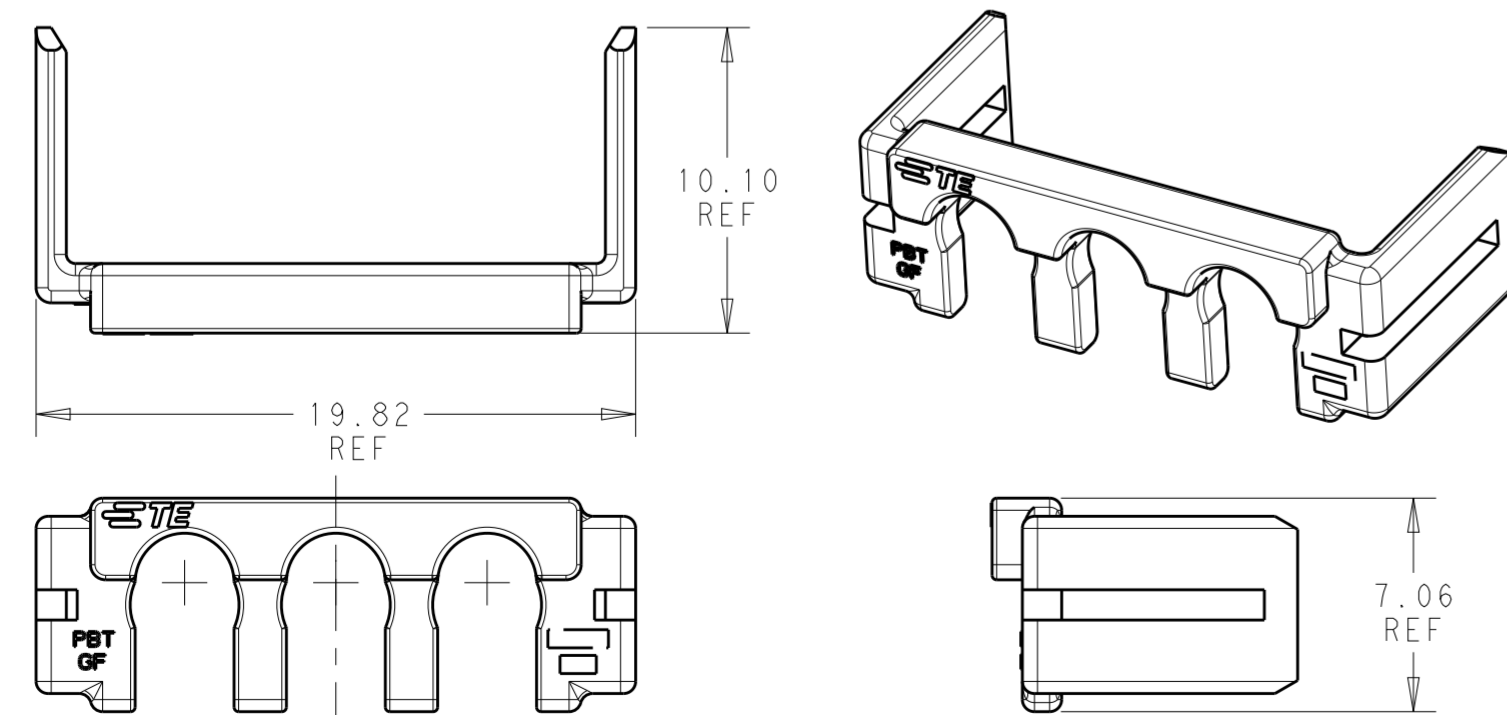
| REVISIONS | | | | |
|-----------|-----|----------------------------|-----------|--------|
| P | LTR | DESCRIPTION | DATE | APVD |
| A | | RELEASED PER ECO-19-009353 | 18JUN2019 | BKW GJ |
| | | | | |
| | | | | |



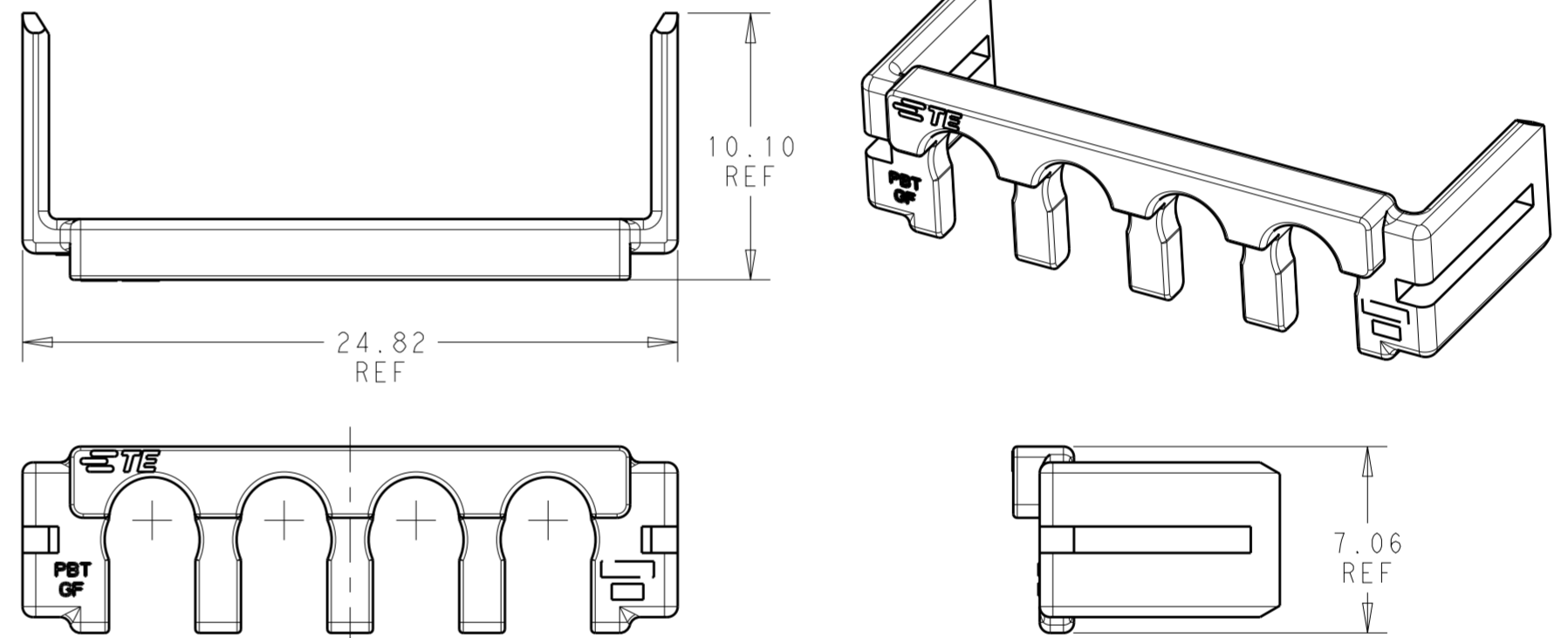
1 * 1 POSITION



1 * 2 POSITION



1 * 3 POSITION



1 * 4 POSITION

- 1. MATERIAL: PBT, GLASS FILLED
COLOR - RED
- 2. FLAMMABILITY: UL94 V-0
- 3. MATING CONNECTOR P/N'S:
CAP HSG - *-2325350-*/*-2325043-*/*-2345729-1
PLUG HSG - *-2332040-*/*-2345728-1
CONTACTS - 2329907-*/2329908-*/2329914-*/2329916-
SEALS - 2325349-*/2329020-*
- 4. PART CAN BE ASSEMBLED 180° (INVERTED)
- 5. THIS PRODUCT HAS NOT COMPLETED QUALIFICATION TESTING.

| | |
|-----------|-------------|
| 1 * 4 | 2334614-4 |
| 1 * 3 | 2334614-3 |
| 1 * 2 | 2334614-2 |
| 1 * 1 | 2334614-1 |
| POSITIONS | PART NUMBER |

| | | | | |
|--|--|----------------------------------|---------------------------------|-------------------------|
| THIS DRAWING IS A CONTROLLED DOCUMENT. | | DWN B. WEAVER 18JUN2018 | TE Connectivity | |
| DIMENSIONS: mm | | CHK S. FERNANDES 18JUN2018 | | |
| TOLERANCES UNLESS OTHERWISE SPECIFIED: | | APVD C. YI 18JUN2018 | NAME COVER, POWER VERSA-LOCK | |
| 0 PLC ± | | PRODUCT SPEC 108-143081 | SIZE A2 | |
| 1 PLC ± | | APPLICATION SPEC 114-143082 | CAGE CODE 0079 | DRAWING NO C-2334614 |
| 2 PLC ± | | WEIGHT - | RESTRICTED TO - | |
| 3 PLC ± | | CUSTOMER DRAWING | SCALE 4:1 | SHEET 1 OF 1 |
| 4 PLC ± | | | REV A | |
| ANGLES ± | | | | |
| FINISH - | | | | |
| MATERIAL 1 | | | | |