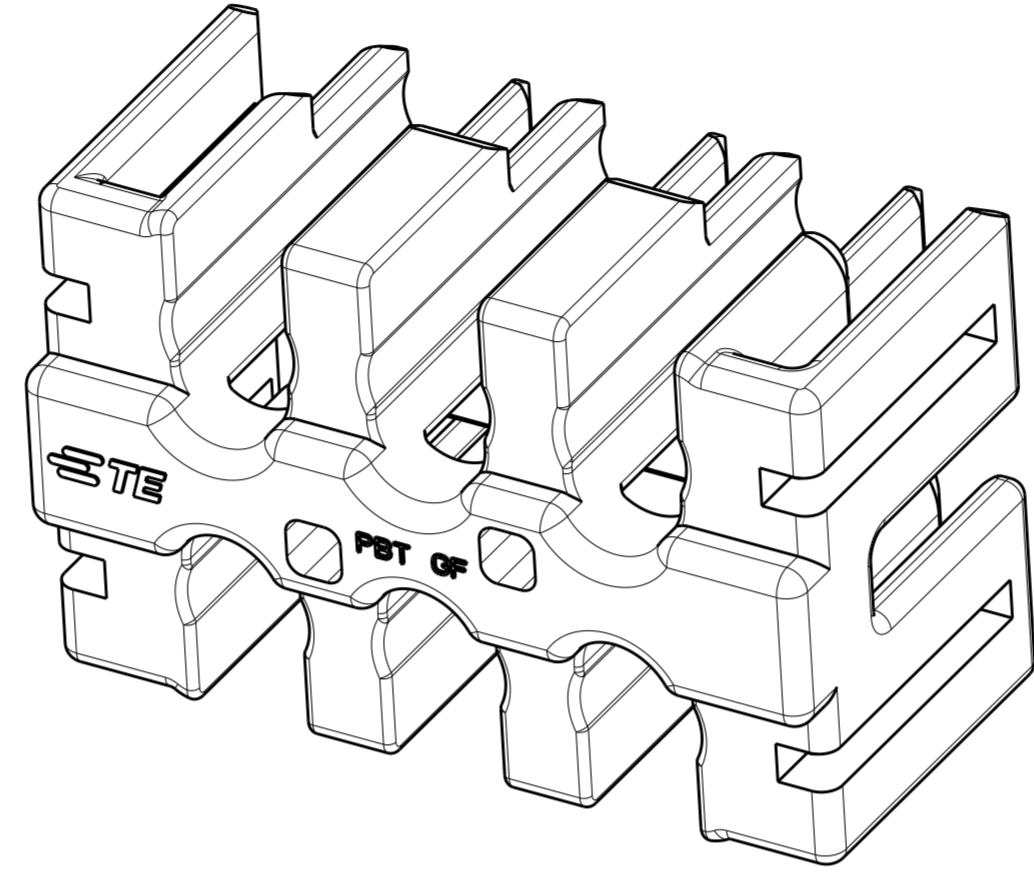
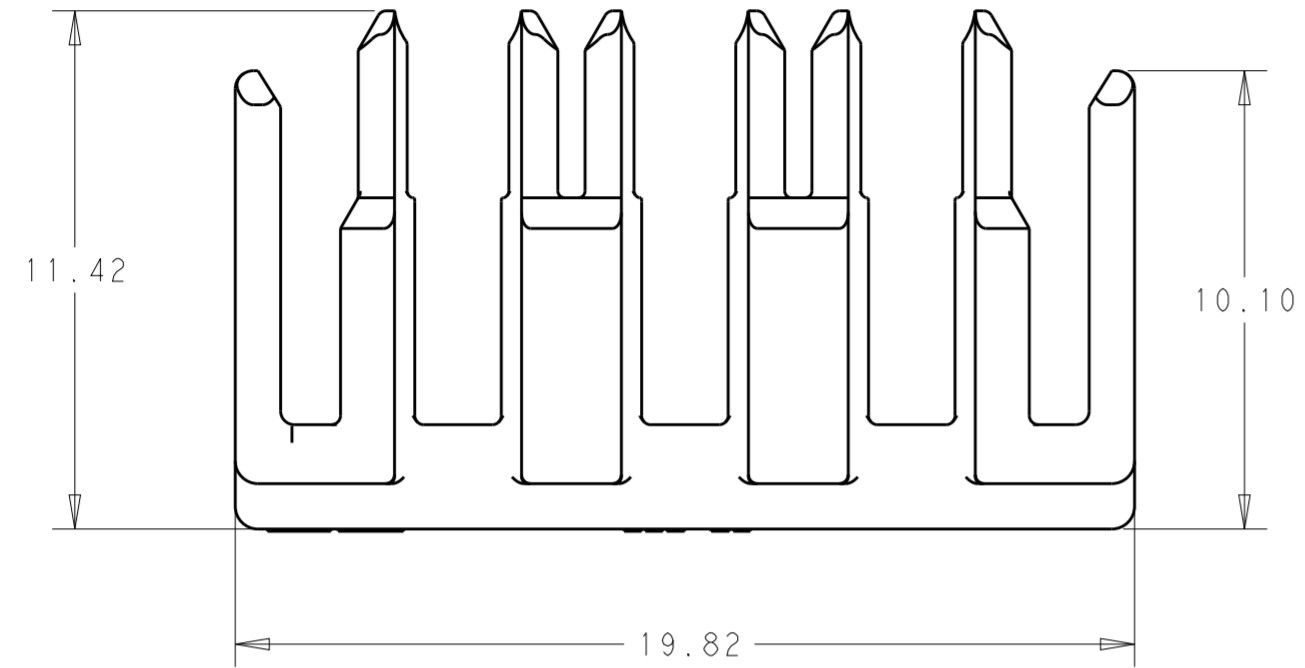


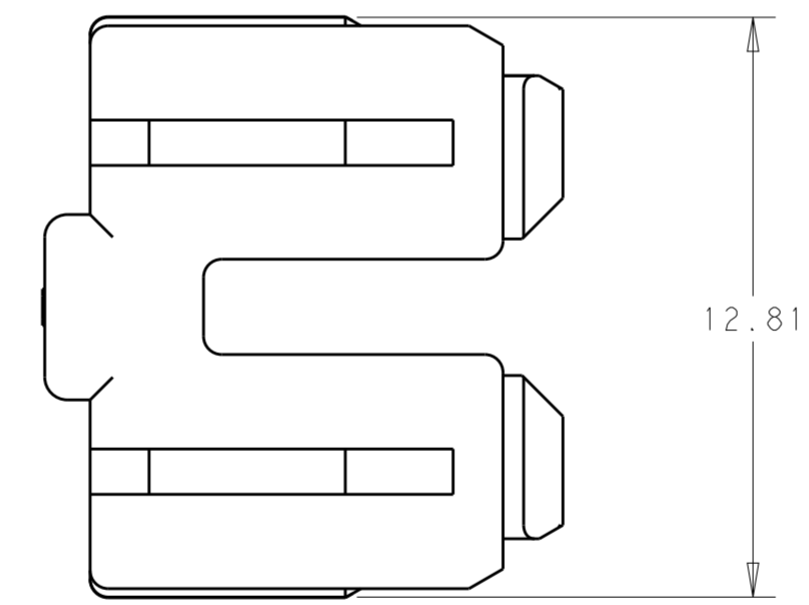
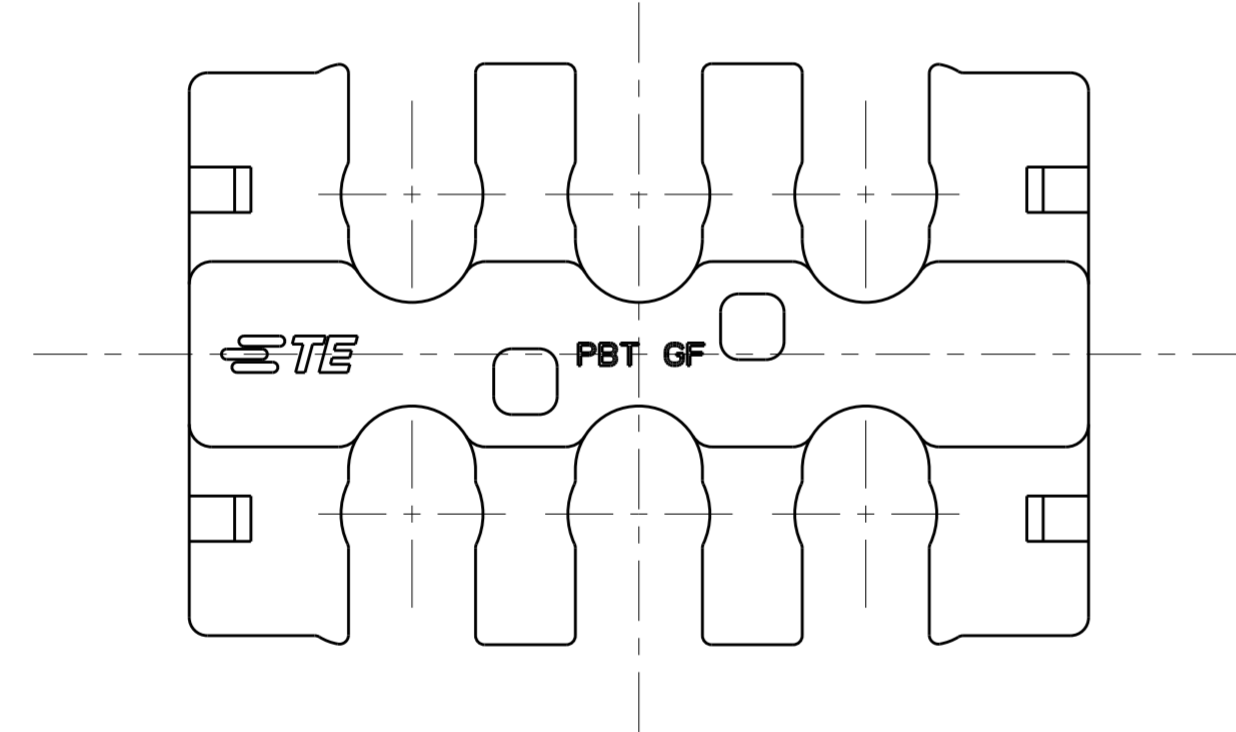
THIS DRAWING IS UNPUBLISHED. RELEASED FOR PUBLICATION 2018
 © COPYRIGHT 2018 BY - ALL RIGHTS RESERVED.

REVISIONS					
P	LTR	DESCRIPTION	DATE	DWN	APVD
B		REVISED PER ECO-19-002223	13FEB2019	BKW	GJ
C		REVISED PER ECO-19-003688	08MAR2019	BKW	GJ
C1		REVISED PER ECO-19-005026	01APR2019	BKW	GJ
C2		REVISED PER ECO-19-012518	12AUG2019	BKW	GJ



- 1. MATERIAL: PBT, GLASS FILLED
COLOR - BLACK
- 2. MATING CONNECTOR P/N'S:
CAP HSG - *-2336231-*/*-2337219-
PLUG HSG - *-2336229-*/*-2337912-*
- 3. PART CAN BE ASSEMBLED 180°
- 4. FLAMMABILITY RATING: UL94 V-0
- 5. TEMPERATURE RATING: -30°C TO +140°C
- 6. ACCEPTS STRANDED WIRE WITH AN INSULATION DIAMETER OF 3.1 MAXIMUM
- 7. THIS PRODUCT HAS NOT COMPLETED QUALIFICATION TESTING.

2*3 POSITION



2*3	2337218-6
POSITIONS	PART NUMBER

THIS DRAWING IS A CONTROLLED DOCUMENT.		DWN B. WEAVER 18 JUN 2018	STE TE Connectivity	
		CHK S. FERNANDES 18 JUN 2018		
		APVD C. YI 18 JUN 2018	NAME TPA, POWER VERSA-LOCK	
DIMENSIONS: mm		PRODUCT SPEC 108-143081	SIZE A200779	
TOLERANCES UNLESS OTHERWISE SPECIFIED:		APPLICATION SPEC 114-143082	CAGE CODE C-2337218	
0 PLC ±		WEIGHT -	DRAWING NO C-2337218	
1 PLC ±		RESTRICTED TO -		
2 PLC ±0.50		SCALE 6:1		
3 PLC ±		SHEET 1 OF 1		
4 PLC ±		REV C2		
ANGLES ±		CUSTOMER DRAWING		
FINISH -				
MATERIAL 1				