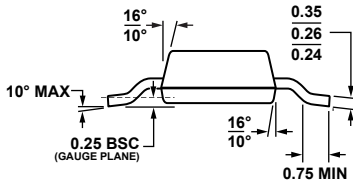
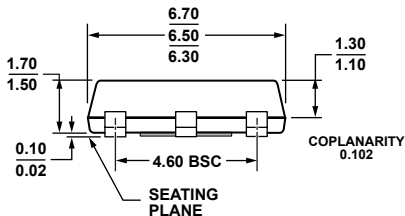
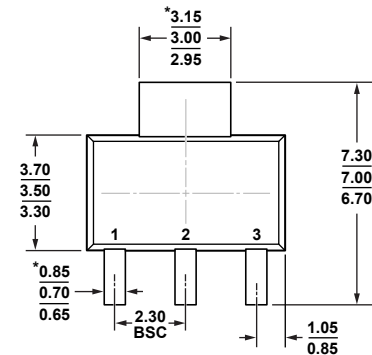


**3-Lead Small Outline Transistor Package [SOT-223]
(KC-3)**

Dimensions shown in millimeters



***COMPLIANT TO JEDEC STANDARDS TO-261-AA
WITH THE EXCEPTION TO LEAD WIDTH.**