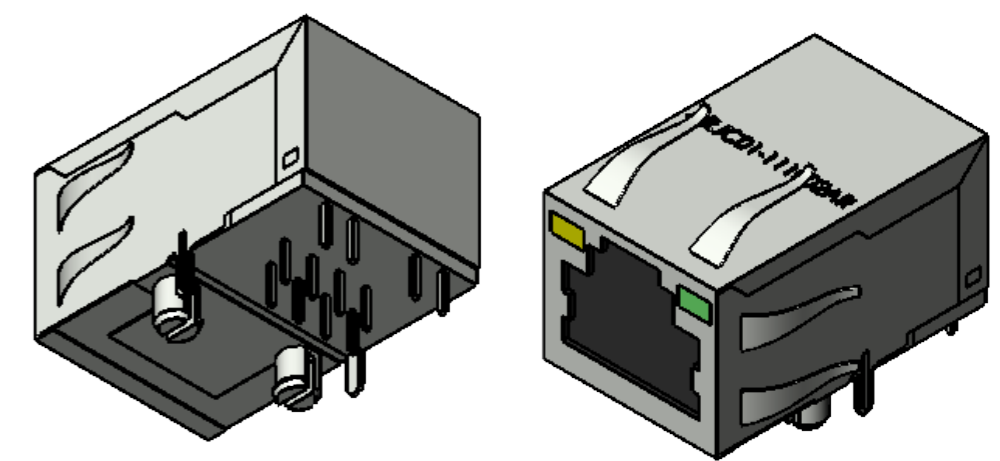
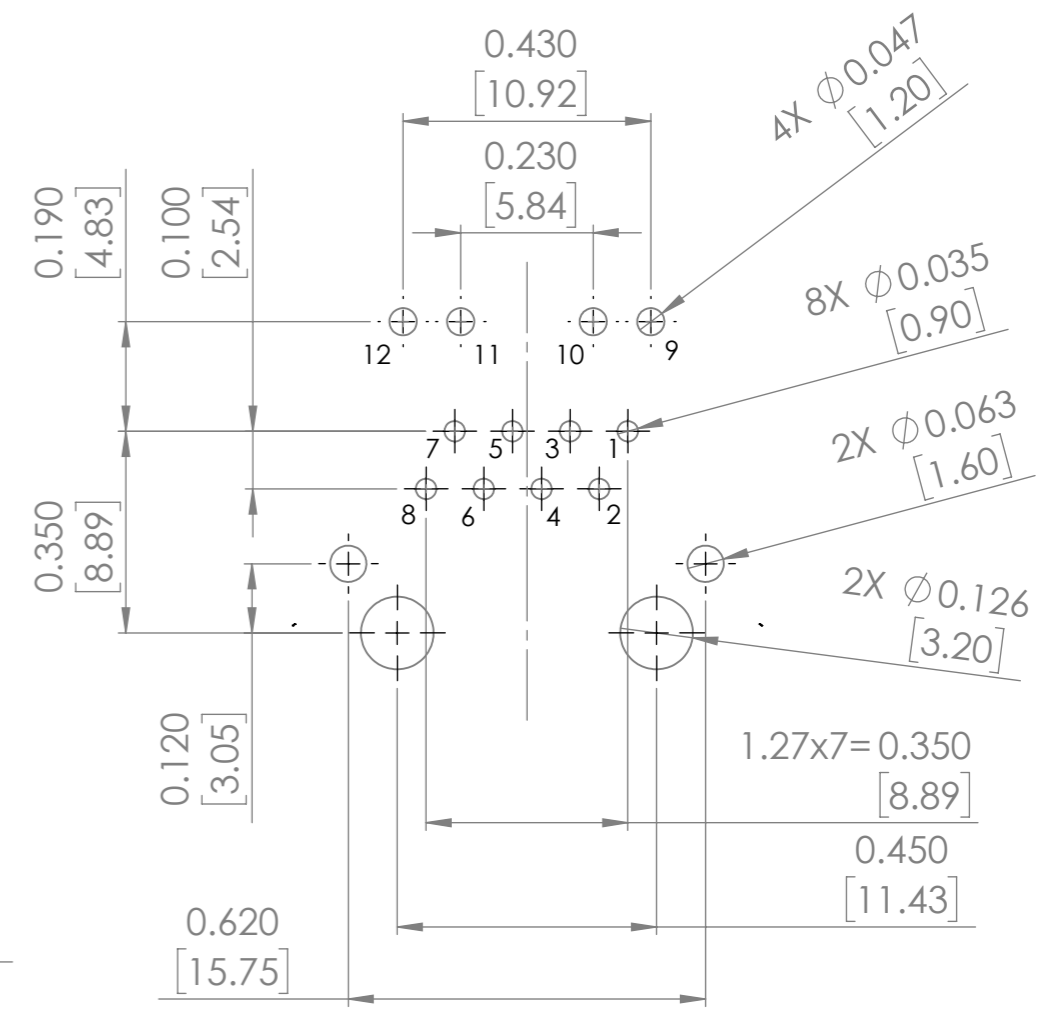



Recommended Land Pattern



DO NOT SCALE DRAWING		REVISION -	
 ABRACON LLC <i>The Power of Linking Together</i>			
5101 Hidden Creek Lane, Spicewood Texas-78669			
TITLE:		RJ45	
DWG NO.		ARJC01-111002AR	
SCALE: 2:1		A3	
		SHEET 1 OF 1	